



KALDEWEI




Europe's No. 1 for baths






LIST PRICES USA

Kaldewei steel enamel 3.5 mm bathtubs and shower trays
Suggested Manufacturer's List Prices USA 2009
Valid from 04.15.2009




NEW PRODUCTS 2009


BATHS

AVANTGARDE		Model	Dimensions inch (cm)	Page
ATMO right ATMO left		826 828	66.93 x 35.43 x 16.93 170 x 90 x 43	42-45
BASSINO		144	78.74 x 39.37 x 13.98 200 x 100 x 35.5	10-11
GRANDO DUO right GRANDO DUO left		190 192	70.87 x 47.24/31.50 x 16.93 180 x 120/80 x 43	18-21
LUXXO DUO OVAL		232	74.80 x 39.37 x 17.72 190 x 100 x 45	28-29
LUXXO DUO		230	74.80 x 39.37 x 17.72 190 x 100 x 45	30-31

AMBIENTE		Model	Dimensions inch (cm)	Page
KLASSIKDUO OVAL		112 113	62.99 x 27.56 x 19.93 160 x 70 x 43 66.93 x 29.53 x 19.93 170 x 75 x 43	86-87
KLASSIKDUO		114	74.80 x 35.43 x 19.93 190 x 90 x 43	88-89
PURO		683 687 691	62.99 x 27.56 x 16.54 160 x 70 x 42 66.93 x 27.56 x 16.54 170 x 70 x 42 66.93 x 31.50 x 16.54 170 x 80 x 42	66-67
PURO with side overflow		684 688 656 692 657	62.99 x 27.56 x 16.54 160 x 70 x 42 66.93 x 27.56 x 16.54 170 x 70 x 42 66.93 x 29.53 x 16.54 170 x 75 x 42 66.93 x 31.50 x 16.54 170 x 80 x 42 70.87 x 31.50 x 16.54 180 x 80 x 42	68-69
VAIO SET		944 946	66.93 x 27.56 x 19.93 170 x 70 x 43 70.87 x 31.50 x 19.93 180 x 80 x 43	56-57

SHOWER TRAYS

AVANTGARDE	Model	Dimensions inch (cm)	Page
PIATTO 	800-2	Ø 59.06 x 2.36 Ø 150 x 6	108-109
SUPERPLAN 		from 29.53 x 31.50 x 0.98 75 x 80 x 2.5 to 47.24 x 47.24 x 0.98 120 x 120 x 2.5	110-113
SUPERPLAN XXL 		from 35.43 x 51.18 x 0.98 90 x 130 x 2,5 to 39.37 x 70.87 x 2.01 100 x 180 x 5,1	114-119

AMBIENTE	Model	Dimensions inch (cm)	Page
DUSCHPLAN XXL 		from 27.56 x 55.12 x 2.56 70 x 140 x 6.5 to 29.53 x 66.93 x 2.56 75 x 170 x 6.5	120-121

BATHS AND SHOWER TRAYS

QUICKFINDER

ATMO right + left	42- 45
AQUAMARIN	90- 91
BASSINO	10- 11
CENTRO DUO OVAL	32- 33
CENTRO DUO 2	34- 35
CENTRO DUO 1 right + left	36- 37
CENTRO DUO	38- 39
CENTRO DUO 6	40- 41
CONODUO	24- 27
DUO POOL	46- 47
DUSCHPLAN XXL	120-121
DYNA DUO	92- 93
DYNA SET	94- 95
GRANDO DUO left + right	18- 21
KLASSIKDUO OVAL	86- 87
KLASSIKDUO	88- 89
LUXO DUO	30- 31
LUXO DUO OVAL	28- 29
MEGA DUO	14- 15
MEGA DUO 6	16- 17
MEGA DUO OVAL	12- 13
MINI right + left	104-107
MONDO	80- 81
MONDO 6	82- 83
MONDO 8	84- 85
NOVOLA	72- 73
NOVOLA DUO	74- 75
NOVOLA DUO 6	78- 79
NOVOLA DUO OVAL	70- 71
NOVOLA SET	76- 77
PIATTO	108-109
PUNTA DUO 3	22- 23
PURO	66- 69
SANIFORM PLUS	98-101
SENTO	96- 97
SUPERPLAN	110-113
SUPERPLAN XXL	114-119
TWIN POOL	48- 49
VAIO DUO	54- 55
VAIO DUO 3	64- 65
VAIO	52- 53
VAIO 6	58- 59
VAIO DUO OVAL	50- 51
VAIO DUO 6	60- 61
VAIO DUO 8	62- 63
VAIO SET	56- 57



AVANTGARDE



AMBIENTE



ADVANTAGE

BATHS AND SHOWER TRAYS

CONTENT

AVANTGARDE

Kaldewei steel enamel 3.5 mm Avantgarde baths

ATMO left	44 - 45
ATMO right	42 - 43
BASSINO	10 - 11
CENTRO DUO	38 - 39
CENTRO DUO 2	34 - 35
CENTRO DUO 6	40 - 41
CENTRO DUO OVAL	32 - 33
CENTRO DUO 1 left/CENTRO DUO 1 right	36 - 37
CONODUO	24 - 27
DUO POOL	46 - 47
GRANDO DUO left + right	18 - 21
LUX XO DUO	30 - 31
LUX XO DUO OVAL	28 - 29
MEGA DUO	14 - 15
MEGA DUO 6	16 - 17
MEGA DUO OVAL	12 - 13
PUNTA DUO 3	22 - 23

Kaldewei steel enamel 3.5 mm Avantgarde shower trays

PIATTO	108 - 109
SUPERPLAN	110 - 113
SUPERPLAN XXL	114 - 119

AMBIENTE

Kaldewei steel enamel 3.5 mm Ambiente shower trays

DUSCHPLAN XXL	120 - 121
-------------------------	-----------

ADVANTAGE

Kaldewei steel enamel 3.5 mm Advantage baths

MINI left/MINI STAR left	106 - 107
MINI right/MINI STAR right	104 - 105
SANIFORM PLUS	98 - 101

AMBIENTE



Kaldewei steel enamel 3.5 mm Ambiente baths






AQUAMARIN	90 - 91
KLASSIKDUO	88 - 89
KLASSIKDUO OVAL	86 - 87
DYNA DUO	92 - 93
DYNA SET	94 - 95
NOVOLA	72 - 73
NOVOLA DUO	74 - 75
NOVOLA DUO 6	78 - 79
NOVOLA DUO OVAL	70 - 71
NOVOLA SET	76 - 77
MONDO	80 - 81
MONDO 6	82 - 83
MONDO 8	84 - 85
PURO	66 - 69
SENTO STAR	96 - 97
VAIO	52 - 53
VAIO 6	58 - 59
VAIO DUO	54 - 55
VAIO DUO 3	64 - 65
VAIO DUO 6	60 - 61
VAIO DUO 8	62 - 63
VAIO DUO OVAL	50 - 51
VAIO SET	56 - 57

EQUIPMENT/ACCESSORIES/ TECHNOLOGY/COLORS


baths program6
shower tray program7
15 good reasons for your KALDEWEI bathtub or shower tray8-9
BAKO bathtub panelling system102-103
Easy-clean finish122
Bath pedestals and shower tray feet122
Shower tray foot frame FR123
ESR Installation system frame with special siphon and drain off connection124-125
DECORATION126
COMFORT-LEVEL/COMFORT-LEVEL PLUS127
MULTIFUNCTIONAL CUSHION/bath cushion128
RELAX LOUNGER129
Special models bath and shower tray accessories130
Selection table for special outlet and overflow fittings: baths131
Color overview132
Structure of the 12-digit order number133
General terms and conditions for delivery and payment134

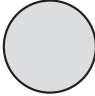
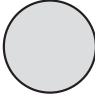
BATH PROGRAM

	Dimension	Mod. no.	Model	Page	
OVAL BATHS					
	66.95 x 29.53	127	CENTRO DUO OVAL	32-33	
	70.87 x 31.50	128	CENTRO DUO OVAL	32-33	
		951	VAIO DUO OVAL	50-51	
		111	KLASSIKDUO OVAL	86-87	
		260	NOVOLA DUO OVAL	70-71	
	70.87 x 35.43	184	MEGA DUO OVAL	12-13	
	74.80 x 39.37	232	LUX XO DUO OVAL	28-29	
RECTANGULAR BATHS					
	55.12 x 27.56	360-1	SANIFORM PLUS	98-101	
	59.06 x 27.56	361-1	SANIFORM PLUS	98-101	
		626	DYNA SET	94-95	
		103	KLASSIKDUO	88-89	
		956	VAIO SET	56-57	
	66.95 x 27.56	362-1	SANIFORM PLUS	98-101	
		105	KLASSIKDUO	88-89	
		363-1	SANIFORM PLUS	98-101	
	66.95 x 28.74	371-1	SANIFORM PLUS	98-101	
	59.06 x 29.53	624	DYNA SET	94-95	
	62.99 x 29.53	372-1	SANIFORM PLUS	98-101	
	66.95 x 29.53	132	CENTRO DUO	38-39	
		732	CONODUO	24-25	
		700	MONDO	80-81	
		620	DYNA SET	94-95	
		610	DYNA DUO	92-93	
		252	NOVOLA	72-73	
		107	KLASSIKDUO	88-89	
		954	VAIO SET	56-57	
		652/656	PURO	66-67	
		373-1	SANIFORM PLUS	98-101	
		68.90 x 29.53	374	SANIFORM	98-101
		70.87 x 29.53	109	KLASSIKDUO	88-89
		66.95 x 31.50	377	SENTO	96-97
	960		VAIO	52-53	
	261		NOVOLA SET	76-77	
	70.87 x 31.50	133	CENTRO DUO	38-39	
733		CONODUO	24-25		
710		MONDO	80-81		
280		AQUAMARIN	90-91		
622		DYNA SET	94-95		
611		DYNA DUO	92-93		
950		VAIO DUO	54-55		

	Dimension	Mod. no.	Model	Page
	70.87 x 31.50	256	NOVOLA DUO	74-75
		378	SENTO	96-97
		110	KLASSIKDUO	88-89
		653/657	PURO	66-67
		375-1	SANIFORM PLUS	98-101
	70.87 x 35.43	180	MEGA DUO	14-15
	74.80 x 35.43	734	CONODUO	24-25
		284	AQUAMARIN	90-91
	74.80 x 39.37	230	LUX XO DUO	30-31
	78.74 x 39.37	735	CONODUO	24-25
144		BASSINO	10-11	
CORNER BATHS				
	66.93 x 35.43	826	ATMO right	42-43
		828	ATMO left	44-45
	70.87 x 47.24/31.50	190	GRANDO DUO right	20-21
		192	GRANDO DUO left	18-19
	55.12 x 55.12	910	PUNTA DUO 3	22-23
		962	VAIO DUO 3	64-65
HEXAGONAL BATHS				
	77.56 x 29.53	706	MONDO 6	82-83
	78.74 x 29.53	134	CENTRO DUO 6	40-41
	81.10 x 31.50	716	MONDO 6	82-83
	82.68 x 31.50	952	VAIO DUO 6	60-61
		254	NOVOLA DUO 6	78-79
74.80 x 35.43	958	VAIO 6	58-59	
OCTAGONAL BATHS				
	66.93 x 29.53	708	MONDO 8	84-85
	70.87 x 31.50	718	MONDO 8	84-85
		953	VAIO DUO 8	62-63
SPECIAL FORMS				
	61.81 x 27.56/47,5	834	MINI right	104-105
		836	MINI left	106-107
	61.81 x 29.53/19.69	830	MINI right	104-105
		832	MINI left	106-107
	66.93 x 29.53	131	CENTRO DUO 2	34-35
		129	CENTRO DUO 1 left	36-37
		130	CENTRO DUO 1 right	36-37
	70.87 x 31.50	135	CENTRO DUO 2	34-35
		136	CENTRO DUO 1 left	36-37
		137	CENTRO DUO 1 right	36-37
	59.06 x 39.37	150	DUO POOL	46-47

SHOWER TRAY PROGRAM

	Dimension	Depth	Mod. no.	Model	Page
SQUARE TRAYS					
	29.53 x 31.50	0.98	385	SUPERPLAN	110-111
	31.50 x 31.50	0.98	386	SUPERPLAN	110-111
	27.56 x 35.43	0.98	400	SUPERPLAN	110-111
	29.53 x 35.43	0.98	387	SUPERPLAN	110-111
	31.50 x 35.43	0.98	388	SUPERPLAN	110-111
	35.43 x 35.43	0.98	390	SUPERPLAN	110-111
	29.53 x 39.37	0.98	402	SUPERPLAN	110-111
	31.50 x 39.37	0.98	398	SUPERPLAN	110-111
	35.43 x 39.37	0.98	404	SUPERPLAN	110-111
	39.37 x 39.37	0.98	391	SUPERPLAN	112-113
	35.43 x 43.31	0.98	405	SUPERPLAN	112-113
	27.56 x 47.24	0.98	401	SUPERPLAN	112-113
	29.53 x 47.24	0.98	403	SUPERPLAN	112-113
	31.50 x 47.24	0.98	389	SUPERPLAN	112-113
	35.43 x 47.24	0.98	406	SUPERPLAN	112-113
	39.37 x 47.24	0.98	407	SUPERPLAN	112-113
	47.24 x 47.24	0.98	399	SUPERPLAN	112-113
	35.43 x 51.18	0.98	438	SUPERPLAN XXL	114-115
	27.56 x 55.12	1.54	408	SUPERPLAN XXL	114-115
		2.56	423	DUSCHPLAN XXL	120-121
	29.53 x 55.12	1.57	410	SUPERPLAN XXL	114-115
		2.56	425	DUSCHPLAN XXL	120-121
	35.43 x 55.12	1.69	429	SUPERPLAN XXL	114-115
	39.37 x 55.12	1.69	412	SUPERPLAN XXL	114-115
		2.56	427	DUSCHPLAN XXL	120-121
	27.56 x 59.06	1.54	433	SUPERPLAN XXL	114-115
	29.53 x 59.06	1.57	435	SUPERPLAN XXL	114-115
	35.43 x 59.06	1.69	439	SUPERPLAN XXL	116-117
	39.37 x 59.06	1.69	442	SUPERPLAN XXL	116-117
	59.06 x 59.06	2.05	413	SUPERPLAN XXL	116-117
		2.56	428	DUSCHPLAN XXL	120-121
	27.56 x 62.99	1.54	431	SUPERPLAN XXL	116-117
	29.53 x 62.99	1.57	436	SUPERPLAN XXL	116-117
	35.43 x 62.99	1.69	440	SUPERPLAN XXL	116-117
	39.37 x 62.99	1.69	443	SUPERPLAN XXL	116-117
	27.56 x 66.93	1.85	409	SUPERPLAN XXL	118-119
		2.56	424	DUSCHPLAN XXL	120-121

	Dimension	Depth	Mod. no.	Model	Page
	29.53 x 66.93	1.85	411	SUPERPLAN XXL	118-119
		2.56	426	DUSCHPLAN XXL	120-121
	35.43 x 66.93	2.01	430	SUPERPLAN XXL	118-119
	39.37 x 66.93	2.01	444	SUPERPLAN XXL	118-119
	31.50 x 70.87	1.85	437	SUPERPLAN XXL	118-119
	35.43 x 70.87	2.01	441	SUPERPLAN XXL	118-119
	39.37 x 70.87	2.01	445	SUPERPLAN XXL	118-119
	ROUND TRAYS				
	59.06	2.36	800-2	PIATTO	108-109

THERE IS EVERYTHING TO BE SAID FOR KALDEWEI STEEL ENAMEL 3.5 MM

17 GOOD REASONS FOR YOUR KALDEWEI BATHTUB OR SHOWER TRAY

THE MATERIAL PROPERTIES

- Material** – Kaldewei manufactures its own enamel. This is the only way to guarantee optimum adaptation to the demands placed on bathtubs and shower trays
- scratch and abrasion resistant** – Kaldewei bathtubs and shower trays cannot be scratched by the substances usually found in the bathroom
– if metal scratches on enamel, it is the metal which rubs off; the enamel is not affected
- water & material temperature** – steel is an excellent heat conductor and quickly assumes the temperature of its surroundings or of the water
– the heat absorbed by the steel flows back into the water when the water cools down
– Consumer tests have shown that even the sloping back rest above the surface of the water heats up
– the cooling behaviour of the water is the same for steel, cast and acrylic bathtubs since the heat of the water escapes almost exclusively from the surface of the water
- easy to care for, hygienic** – with Kaldewei steel enamel 3.5 mm with easy-clean finish, the water simply runs off the smooth, glass hard surface taking practically all the particles of dirt and limescale with it
- hard and impact resistant** – the material strength of 3.5 mm steel enamel guarantees an unsurpassed stability
– Kaldewei steel enamel 3.5 mm is considerably harder than acrylic (see Mohs' scale)

Hardness	1	2	3	4	5	6	7	8	9	10
Material	Talc, candles	Plaster walls, figures	Plastic, paint	Marble	Iron	Steel	Enamel, porcelain, glass	Topaz	Sapphire	Diamond
Wear resistance	1 + 2 very low		3 low	4 sufficient	5 + 6 good		7 very good	8-10 exceptionally good		

- Kaldewei steel enamel 3.5 mm easily resists the “pistol test” (according to DIN ISO 4532)

- glass-like** – Kaldewei steel enamel 3.5 mm possesses the same properties as real glass shower screens, tiles and ceramic, so that all the materials in the bathroom have a uniform appearance
- colorfast, lightfast** – enamel is extremely resistant to ageing: the shrine of the “Three Kings” in Cologne cathedral (from the lightfast year 600), which is adorned with decorative, enamel provides impressive proof of this
– the color effect (shine and structure) and color metamery (change in color as a result of different actions of light) of Kaldewei steel enamel 3.5 mm matches that of ceramic glazes
– Kaldewei steel enamel 3.5 mm is lightfast and resistant to UV light and not bleached out by it
- acid and chemical resistant** – Kaldewei steel enamel 3.5 mm is acid resistant according to DIN ISO 2722, class AA (highest classification)
– Kaldewei steel enamel 3.5 mm is resistant to all cosmetic and medicinal bathing preparations and perfumes which can be tolerated by the human skin (e. g. hair dyes)
- heat resistant** – burning and smouldering objects leave no burn marks or traces of smoke (e. g. cigarettes or candles) on Kaldewei steel enamel 3.5 mm
- static charge** – bathtubs and shower trays in Kaldewei steel enamel 3.5 mm do not charge up with static electricity
– bathtubs and shower trays in Kaldewei steel enamel 3.5 mm do not attract dust when cleaned dry
- chemically bonded** – steel and enamel form a molecular bond and cannot be mechanically separated

FROM INSTALLATION TO DISPOSAL

- material**
- Kaldewei bathtubs and shower trays rarely expand when subjected to temperature fluctuations, hence expansion causes no cracks in the joints or structural damage due to moisture
- exchange, repair**
- silicone sealer bonds to Kaldewei steel enamel 3.5 mm without pre-treatment
 - damage to the surface of the enamel can be repaired with special repair kits from the Kaldewei accessory programme
 - if the bathtub or shower tray was installed professionally, replacement is inexpensive

GUARANTEE, DURABILITY AND SAFETY

- guarantee**
- 30-year guarantee in accordance with the guarantee pass on all bathtubs and shower trays made of Kaldewei steel enamel 3.5 mm
- lasting value**
- if cared for correctly (wipe dry to prevent lime scale deposits), a bathtub or shower tray in Kaldewei steel enamel 3.5 mm looks almost as it did on the first day, even decades later
 - it has a life time of at least 30 years (see guarantee)

DIVERSITY IN DESIGN AND ACCESSORIES

- anti-slip**
- Kaldewei bathtubs and shower trays are equipped with full anti-slip.
- design diversity**
- Kaldewei offers over 130 different models of bathtub and shower trays in a wide range of colors and versions
 - Kaldewei provides special solutions for small bathrooms, barrier-free building, bathrooms for medical treatments, hotel bathrooms, bathrooms in fitness centres and saunas, among others

KALDEWEI. PIONEER IN SUSTAINABLE CONSTRUCTION.

Sustainable construction is the concept of the future. One of the basic requirements for its realization is the use of construction products certified for sustainability in accordance with the ISO 14025 environmental declaration issued by IBU. The certification procedure assesses the use of resources, the energy requirements and the emissions produced over the entire manufacturing and recycling process. Product properties and overall performance are also subject to tough evaluation criteria. In comparison with acrylic baths and shower trays, Kaldewei steel enamel 3.5 mm can demonstrate an exemplary environmental scorecard.



Kaldewei is the first German bathroom fixtures company to be awarded the IBU certificate – a welcome confirmation after decades of practicing an uncompromising brand and materials philosophy.

More information on www.kaldewei.com



BASSINO

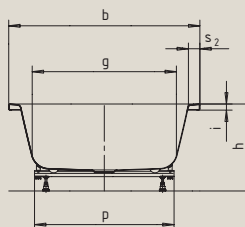
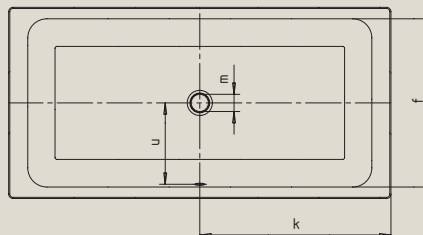
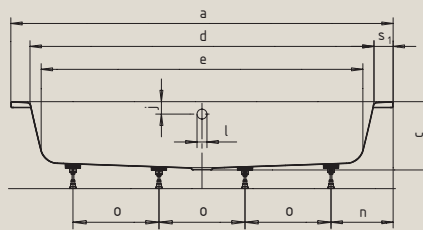
- straightlined, purist design
- cushion included in scope of supply allows the bather to float as if in the open ocean
- can also be used to take a shower
- bath shelf for use as a seat or for storage available as an optional extra
- made of Kaldewei steel enamel 3.5 mm
- also available with panel



Cushion



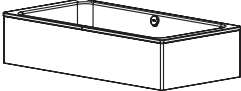
Bath shelf (optional)



		inch	mm
Model No.		144	144
External length	a	78.74	2000
External width	b	39.37	1000
Depth	c	13.98	355
Overall height with panel	c ₁	18.11	460
Internal length (top)	d	70.87	1800
Internal length (bottom)	e	66.14	1680
Internal width (top)	f	34.65	880
Internal width (bottom)	g	29.72	755
Height with feet	h	17.91-18.50	455-470
Height of rim	i	1.26	32
Distance top edge to centre of overflow hole	j	2.56	65
Distance tub edge to centre of drain hole	k	39.37	1000
Diameter of overflow hole	l	2.05	52
Diameter of drain hole	m	3.54	90
Distance foot end of tub edge to centre of foot	n	32.28	325
Distance between the feet	o	17.72	450
Max. width of feet	p	28.74	730
Width of rim (foot end; lengthwise)	s ₁ ; s ₂	3.94; 2.36	100; 60
Distance between centre holes	u	16.73	425
Water volume** in gallons		63.39	
Weight of the enamelled bath tub in lbs		154.32	

Subject to technical alterations and tolerances.
 ** 18.49 gallons displacement on average.

KALDEWEI
 Europe's No. 1 for baths

	Model Order No.	Dimensions cm (cm)	List price			\$
			alpine white	pergamon	black	
BASSINO accessory pack I or II required for BASSINO plus special pedestal 5070	144 2540 1400 xxxx	78.74 x 39.37 x 13.98 200 x 100 x 35,5	6,421.00	8,026.00	8,989.00	
with front panel and side panel right**	144-4¹ 2540 1412 xxxx		9,896.00			
with front panel and side panel left**	144-5¹ 2540 1413 xxxx		9,896.00			
with front panel and 2 side panels**	144-6¹ 2540 1414 xxxx		9,976.00			
with free-standing panel** 	144-7¹ 2540 1402 xxxx		12,576.00			
**Panel color: alpine white						
Extra charge for easy-clean finish	xxxx xxxx 3xxx					161.50
More information on easy-clean finish can be found on page 122.						
Accessory packs	Model Order No.					\$
I grey cushion and COMFORT-LEVEL Mod. 4005	4070 6877 7010 xxxx					● 763.00
II grey cushion and COMFORT-LEVEL PLUS Mod. 4015	4071 6877 7011 xxxx					● 1,218.00
Pedestal (required accessory)	Model Order No.					\$
Special pedestal for BASSINO	5070 6877 7030 0000					● 147.00/set
Bath shelf		Dimensions inch (cm)				\$
grey	6877 7021 0000	37.40 x 10.24 95 x 26				● 669.00

Tile flange kit available, please see page 130.

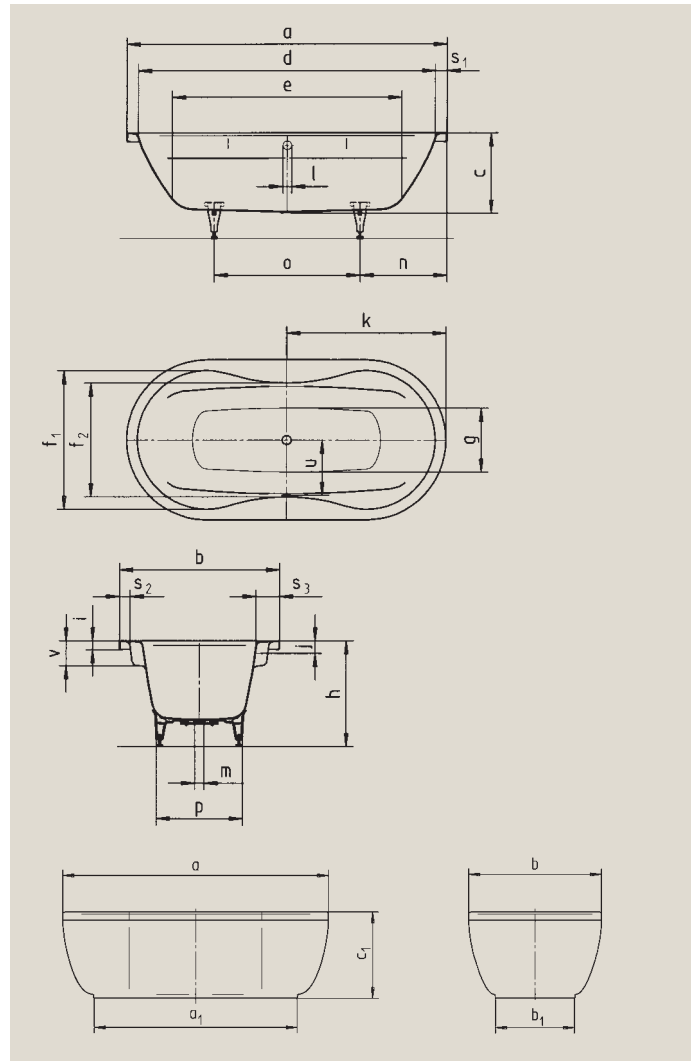
¹ Available from May 2009

MEGA DUO OVAL

MEGA DUO OVAL

WITH MOULDED PANEL

- bathing with a friend: two identical back rests and centrally positioned outlet
- wide arm rests on both sides provide optimum bathing comfort
- made of Kaldewei steel enamel 3.5 mm
- the moulded panel emphasises the high design standard and enables the bath to be free-standing

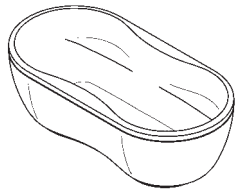


Model No.		inch		mm	
		184	184	184-7	184-7
External length	a	70.87	1800	70.87	1800
External width	b	35.43	900	35.43	900
Depth	c	17.72	450	17.72	450
External length (bottom)	a ₁	-	-	54.33	1380
External width (bottom)	b ₁	-	-	21.26	540
Overall height with panel	c ₁	-	-	22.83	580
Internal length (top)	d	66.14	1680	66.14	1680
Internal length (bottom)	e	50.79	1290	50.79	1290
Internal width (top)	f ₁ ; f ₂	30.71; 25.20	780; 640	30.71; 25.20	780; 640
Internal width (bottom)	g	14.17	360	14.17	360
Height with feet	h	22.24-23.62	565-600	22.24-23.62	565-600
Height of rim	i	1.97	50	1.97	50
Distance top edge to centre of overflow hole	j	2.76	70	2.76	70
Distance tub edge to centre of drain hole	k	35.43	900	35.43	900
Diameter of overflow hole	l	2.05	52	2.05	52
Diameter of drain hole	m	2.05	52	2.05	52
Distance foot end of tub edge to centre of foot	n	19.29	490	19.29	490
Distance between the feet	o	32.28	820	32.28	820
Max. width of feet	p	18.90	480	18.90	480
Width of rim (foot end; lengthwise)	s ₁ ; s ₂ ; s ₃	2.36; 2.36; 5.12	60; 60; 130	2.36; 2.36; 5.12	60; 60; 130
Distance between centre holes	u	12.20	310	12.20	310
Armrest depth	v	5.51	140	5.51	140
Water volume** in gallons		49.14		49.14	
Weight of the enamelled bath tub in lbs		121.25		-	

Subject to technical alterations and tolerances.
 ** 18.49 gallons displacement on average.

KALDEWEI
 Europe's No. 1 for baths

	Model Order No.	Dimensions inch (cm)	List price			\$
			alpine white	pergamon	black	
MEGA DUO OVAL plus ALLROUND pedestal Mod. 5030	184 2238 1400 xxx	70.87 x 35.43 x 17.72 180 x 90 x 45	4,093.00	5,117.00	5,730.00	
MEGA DUO OVAL with moulded panel** incl. flexible outlet hose and ALLROUND pedestal Mod. 5030	184-7** 2238 1402 xxx	70.87 x 35.43 x 17.72 180 x 90 x 45	7,784.00	9,730.00	10,898.00	



** Panel colors: alpine white, pergamon, black (color code see page 132).

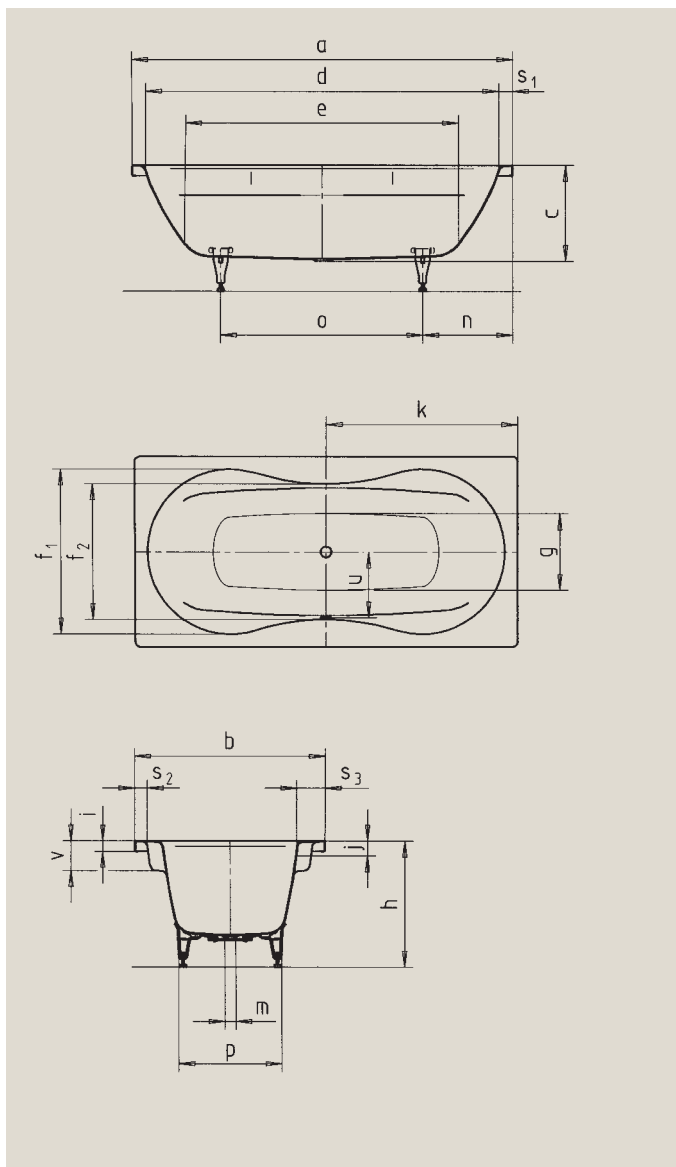
Pedestal (required accessory)	Model Order No.			\$
ALLROUND pedestal see page 122	5030 5814 7000 0000			●93.50/set
COMFORT-LEVEL/COMFORT-LEVEL PLUS	Model Order No.			\$
COMFORT-LEVEL extended, chrome see page 127	4002 6877 7051 0000			●352.00
COMFORT-LEVEL PLUS extended, chrome see page 127	4012 6877 7062 0000			●832.00
Extra charge for easy-clean finish	xxxx xxx 3xxx			161.50

More information on easy-clean finish can be found on page 122.

Tile flange kit available, please see page 130.

MEGA DUO

- bathing with a friend: two identical back rests and centrally positioned outlet
- wide arm rests on both sides provide optimum bathing comfort
- classic four-cornered model
- made of Kaldewei steel enamel 3.5 mm



		inch	mm
Model No.		180	180
External length	a	70.87	1800
External width	b	35.43	900
Depth	c	17.72	450
Internal length (top)	d	66.14	1680
Internal length (bottom)	e	50.79	1290
Internal width (top)	f ₁ ; f ₂	30.71; 25.20	780; 640
Internal width (bottom)	g	14.17	360
Height with feet	h	22.24-23.62	565-600
Height of rim	i	1.97	50
Distance top edge to centre of overflow hole	j	2.76	70
Distance tub edge to centre of drain hole	k	35.43	900
Diameter of overflow hole	l	2.05	52
Diameter of drain hole	m	2.05	52
Distance foot end of tub edge to centre of foot	n	19.29	490
Distance between the feet	o	32.28	820
Max. width of feet	p	18.90	480
Width of rim (foot end; lengthwise)	s ₁ ; s ₂ ; s ₃	2.36; 2.36; 5.12	60; 60; 130
Distance between centre holes	u	12.20	310
Armrest depth	v	5.51	140
Water volume** in gallons		49.14	
Weight of the enamelled bath tub in lbs		132.28	

Subject to technical alterations and tolerances.
 ** 18.49 gallons displacement on average.

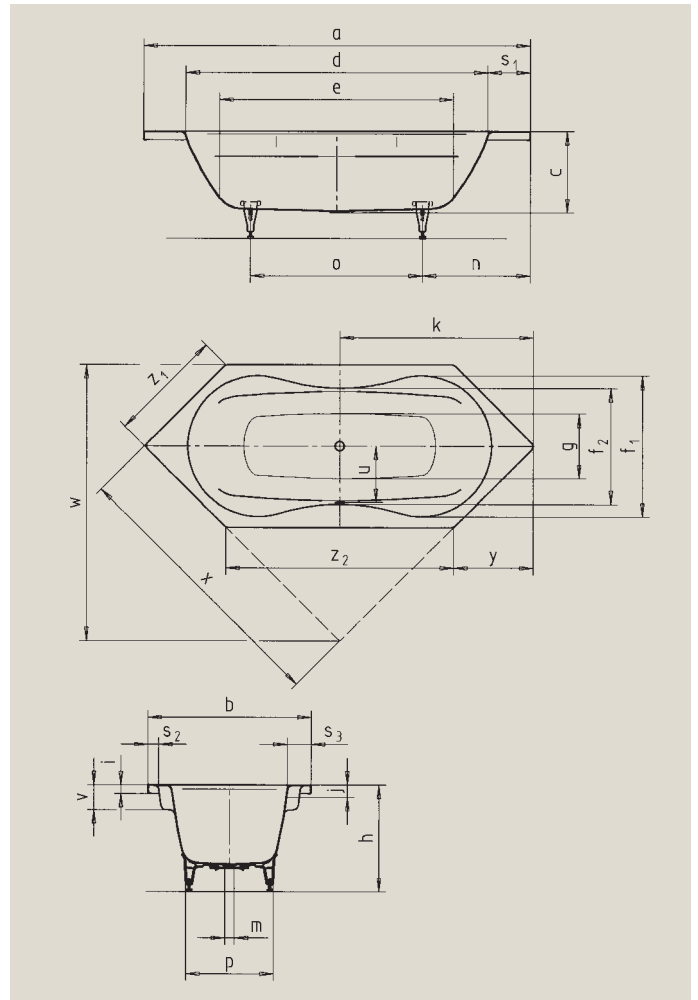
KALDEWEI
 Europe's No. 1 for baths

	Model Order No.	Dimensions inch (cm)	List price			\$
			alpine white	pergamon	black	
MEGA DUO plus ALLROUND pedestal Mod. 5030	180 2234 1400 xxx	70.87 x 35.43 x 17.72 180 x 90 x 45	3,443.00	4,304.00	4,820.00	
Pedestal (required accessory)	Model Order No.					\$
ALLROUND pedestal see page 122	5030 5814 7000 0000					●93.50/set
Extra charge for easy-clean finish	xxxx xxx 3xxx					161.50
More information on easy-clean finish can be found on page 122.						

Tile flange kit available, please see page 130.

MEGA DUO 6

- bathing with a friend: two identical back rests and centrally positioned outlet
- wide arm rests on both sides provide optimum bathing comfort
- diverse installation possibilities, also corner installation
- made of Kaldewei steel enamel 3.5 mm



		inch	mm
Model No.		182	182
External length	a	84.25	2140
External width	b	35.43	900
Depth	c	17.72	450
Internal length (top)	d	66.14	1680
Internal length (bottom)	e	50.79	1290
Internal width (top)	f ₁ ; f ₂	30.71; 25.20	780; 640
Internal width (bottom)	g	14.17	360
Height with feet	h	22.44-23.62	570-600
Height of rim	i	1.97	50
Distance top edge to centre of overflow hole	j	2.76	70
Distance tub edge to centre of drain hole	k	42.13	1070
Diameter of overflow hole	l	2.05	52
Diameter of drain hole	m	2.05	52
Distance foot end of tub edge to centre of foot	n	25.98	660
Distance between the feet	o	32.28	820
Max. width of feet	p	18.90	480
Width of rim (foot end; lengthwise)	s ₁ ; s ₂ ; s ₃	9.06; 2.36; 5.12	230; 60; 130
Distance between centre holes	u	12.20	310
Armrest depth	v	5.51	140
Installation dimension	w	60.24	1530
Side length	x	60.12	1527
Fase	y	17.32	440
Side length	z ₁ ; z ₂	25.04; 49.61	636; 1260
Water volume** in gallons		49.13	
Weight of the enamelled bath tub in lbs		132.69	

Subject to technical alterations and tolerances.
 ** 18.49 gallons displacement on average.

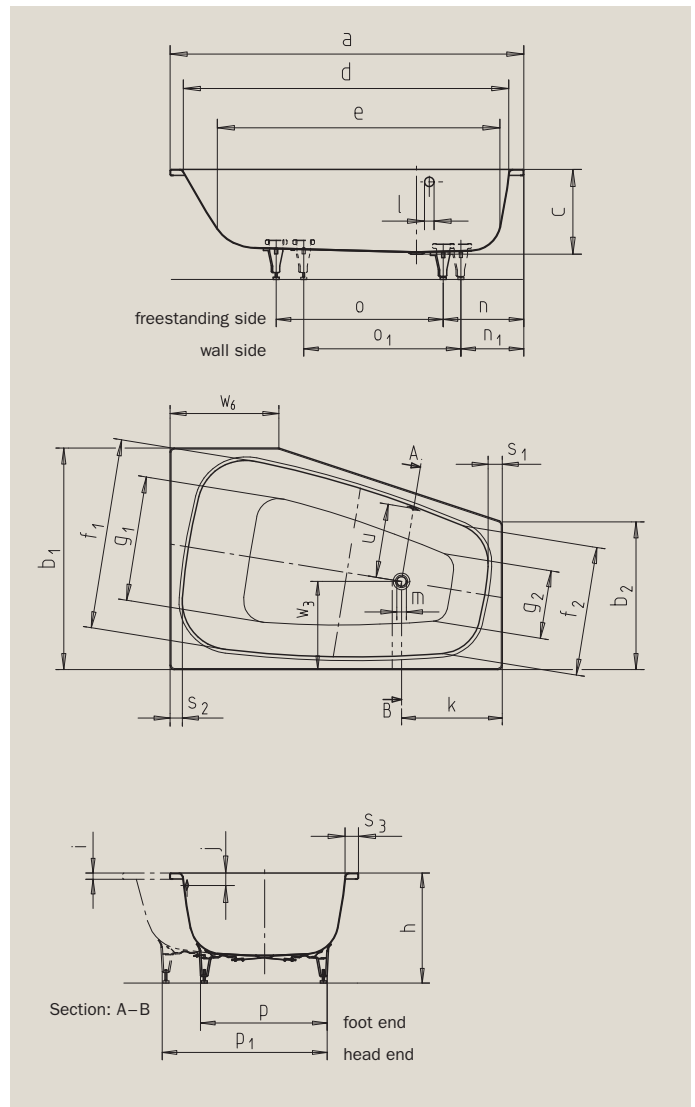
KALDEWEI
 Europe's No. 1 for baths

	Model Order No.	Dimensions inch (cm)	List price			\$
			alpine white	pergamon	black	
MEGA DUO 6 plus ALLROUND pedestal Mod. 5030	182 2236 1400 xxx	84.25 x 35.43 x 17.72 214 x 90 x 45	5,584.00	6,980.00	7,818.00	
Pedestal (required accessory)	Model Order No.					\$
ALLROUND pedestal see page 122	5030 5814 7000 0000					●93.50/set
Extra charge for easy-clean finish	xxxx xxx 3xxx					161.50
More information on easy-clean finish can be found on page 122.						

Tile flange kit available, please see page 130.

GRANDO DUO left

- the spacious interior enables you to adopt a wide range of positions when bathing
- bathing with a friend: sit next to each other
- available as right or left-hand model
- made of Kaldewei steel enamel 3.5 mm



		inch	mm
Model No.		192	192
External length	a	70.87	1800
External width	b ₁ ; b ₂	47.24; 31.50	1200; 800
Depth	c	16.93	430
Internal length (top)	d	63.98	1625
Internal length (bottom)	e	55.51	1410
Internal width (top)	f ₁ ; f ₂	40.75; 27.56	1035; 700
Internal width (bottom)	g ₁ ; g ₂	29.06; 14.57	738; 370
Height with feet	h	21.73-22.05	552-560
Height of rim	i	1.26	32
Distance top edge to centre of overflow hole	j	2.76	70
Distance tub edge to centre of drain hole	k	21.46	545
Diameter of overflow hole	l	2.05	52
Diameter of drain hole	m	2.05	52
Distance foot end of tub edge to centre of foot	n; n ₁	12.60; 16.14	320; 410
Distance between the feet	o; o ₁	31.50; 33.46	800; 850
Max. width of feet	p; p ₁	23.62; 34.65	600; 880
Width of rim (foot end; head end; lengthwise)	s ₁ ; s ₂ ; s ₃	2.91; 2.40; 2.60	74; 61; 66
Distance between centre holes	u	16.10	409
Distance tub edge (lengthwise) to drain hole	w ₃	18.82	478
Side length	w ₆	23.23	590
Water volume** in gallons		72.19	
Weight of the enamelled bath tub in lbs		147.71	

Subject to technical alterations and tolerances.
 ** 18.49 gallons displacement on average.

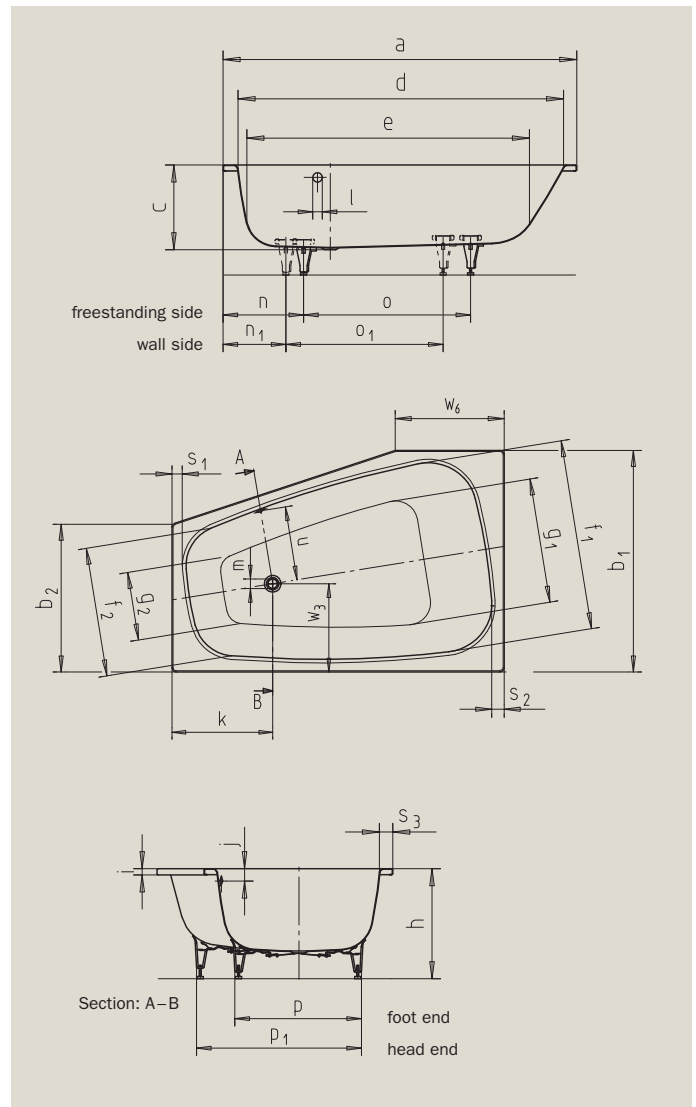
KALDEWEI
 Europe's No. 1 for baths

	Model Order No.	Dimensions inch (cm)	List price			\$
			alpine white	pergamon	black	
GRANDO DUO left plus special pedestal Mod. 5037	192 2372 1400 xxx	70.87 x 47.24/31.50 x 16.93 180 x 120/80 x 43	5,181.00	6,476.00	7,253.00	
Pedestal (required accessory)	Model Order No.					\$
Special pedestal for GRANDO DUO	5037 5831 7000 0000					● 107.50/set
Extra charge for easy-clean finish	xxxx xxxx 3xxx					161.50
More information on easy-clean finish can be found on page 122.						

Tile flange kit available, please see page 130.

GRANDO DUO right

- the spacious interior enables you to adopt a wide range of positions when bathing
- bathing with a friend: sit next to each other
- available as right or left-hand model
- made of Kaldewei steel enamel 3.5 mm



Model No.		inch	mm
External length	a	70.87	1800
External width	b ₁ ; b ₂	47.24; 31.50	1200; 800
Depth	c	16.93	430
Internal length (top)	d	63.98	1625
Internal length (bottom)	e	55.51	1410
Internal width (top)	f ₁ ; f ₂	40.75; 27.56	1035; 700
Internal width (bottom)	g ₁ ; g ₂	29.06; 14.57	738; 370
Height with feet	h	21.73-22.05	552-560
Height of rim	i	1.26	32
Distance top edge to centre of overflow hole	j	2.76	70
Distance tub edge to centre of drain hole	k	21.46	545
Diameter of overflow hole	l	2.05	52
Diameter of drain hole	m	2.05	52
Distance foot end of tub edge to centre of foot	n; n ₁	12.60; 16.14	320; 410
Distance between the feet	o; o ₁	31.50; 33.46	800; 850
Max. width of feet	p; p ₁	23.62; 34.65	600; 880
Width of rim (foot end; head end; lengthwise)	s ₁ ; s ₂ ; s ₃	2.91; 2.40; 2.60	74; 61; 66
Distance between centre holes	u	16.10	409
Distance tub edge (lengthwise) to drain hole	w ₃	18.82	478
Side length	w ₆	23.23	590
Water volume** in gallons		72.19	
Weight of the enamelled bath tub in lbs		147.71	

Subject to technical alterations and tolerances.
 ** 18.49 gallons displacement on average.

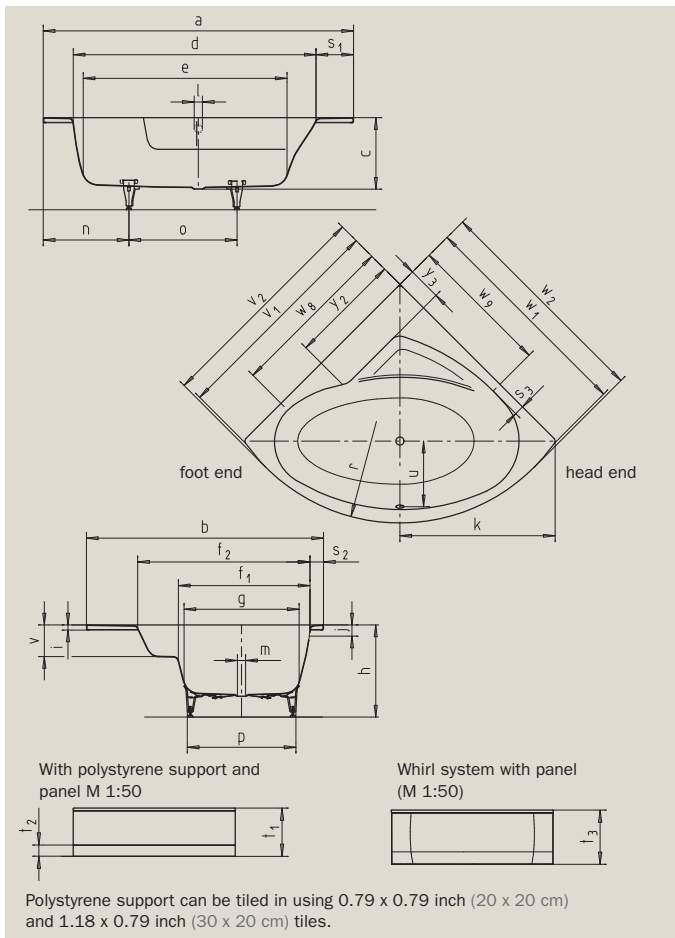
KALDEWEI
 Europe's No. 1 for baths

	Model Order No.	Dimensions inch (cm)	List price			\$
			alpine white	pergamon	black	
GRANDO DUO right plus special pedestal Mod. 5037	190 2370 1400 xxx	70.87 x 47.24/31.50 x 16.93 180 x 120/80 x 43	5,181.00	6,476.00	7,253.00	
Pedestal (required accessory)	Model Order No.					\$
Special pedestal for GRANDO DUO	5037 5831 7000 0000					●107.50/set
Extra charge for easy-clean finish	xxxx xxx 3xxx					161.50
More information on easy-clean finish can be found on page 122.						

Tile flange kit available, please see page 130.

PUNTA DUO 3

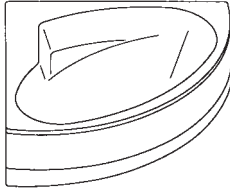
- comfortable corner bathtub which offers a generous design
- compact external dimensions, with a floor length of 50.79 inch yet still very spacious
- side bank for fittings and arm rest which can also be used as a seat
- made of Kaldewei steel enamel 3.5 mm
- also available with panel



		inch	mm
Model No.		910	910
External length	a	77.40	1966
External width	b	59.13	1502
Depth	c	17.72	450
Internal length (top)	d	60.63	1540
Internal length (bottom)	e	50.79	1290
Internal width (top) bathing area; incl. armrest	f ₁ ; f ₂	32.87; 42.91	835; 1090
Internal width (bottom)	g	28.74	730
Height with feet	h	22.68-24.06	576-611
Height of rim	i	1.26	32
Distance top edge to centre of overflow hole	j	2.76	70
Distance tub edge to centre of drain hole	k	38.70	983
Diameter of overflow hole	l	2.05	52
Diameter of drain hole	m	2.05	52
Distance foot end of tub edge to centre of foot	n	21.46	545
Distance between the feet	o	28.15	715
Max. width of feet	p	24.21	615
Radius	r ₁	47.24	1200
Width of rim (foot end; lengthwise)	s ₁ ; s ₂ ; s ₃	8.86; 3.35; 2.36	225; 85; 60
Height with support and panel	t ₁	23.03	585
Height of base	t ₂	5.31	135
Height with whirl system	t ₃	25.98	660
Distance between centre holes	u	16.34	415
Armrest depth	v	7.87	200
Side length; Side length incl. bend	v ₁ ; v ₂	55.12; 55.91	1400; 1420
Side width; Side width incl. bend	w ₁ ; w ₂	55.12; 55.91	1400; 1420
Narrowest point (for wall inlet fittings)	w ₆ ; w ₉	41.97; 35.24	1066; 895
Shelf (length; width)	y ₂ ; y ₃	25.98; 8.27	660; 210
Water volume** in gallons		58.91	
Weight of the enamelled bath tub in lbs		136.69	

Subject to technical alterations and tolerances.
 ** 18.49 gallons displacement on average.

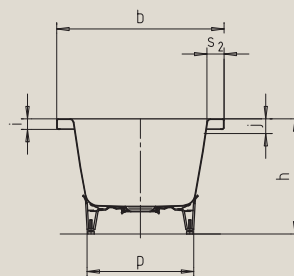
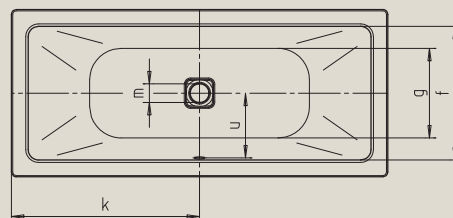
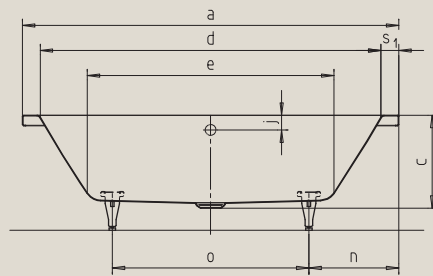
KALDEWEI
 Europe's No. 1 for baths

	Model Order No.	Dimensions inch (cm)	List price			\$
			alpine white	pergamon	black	
PUNTA DUO 3 plus special pedestal Mod. 5037	910-1 2283 1400 xxx	55.12 x 55.12 x 17.72 140 x 140 x 45	5,540.00	6,925.00	7,756.00	
with polystyrene support and panel**  Total height incl. support: 23.03 inch (58,5 cm) Panel is pre-assembled on support in the factory.	910-3** 2283 1406 xxx	55.12 x 55.12 x 17.72 140 x 140 x 45	7,828.00	9,785.00		
** Panel colors: alpine white, pergamon (color code see page 132).						
Pedestal (required accessory)	Model Order No.					\$
Special pedestal for PUNTA DUO 3	5037 5831 7000 0000					● 107.50/set
Extra charge for easy-clean finish	xxxx xxxx 3xxx					161.50
More information on easy-clean finish can be found on page 122.						

Tile flange kit available, please see page 130.

CONODUO

- straightlined, purist design
- enamelled outflow cover and overflow knob integrated in the bath design
- bathing with a friend: two identical back rests and centrally positioned outlet
- classic four-cornered model
- made of Kaldewei steel enamel 3.5 mm



		inch	mm	inch	mm	inch	mm	inch	mm
Model No.		732	732	733	733	734	734	735	735
External length	a	66.93	1700	70.87	1800	74.80	1900	78.74	2000
External width	b	29.53	750	31.50	800	35.43	900	39.37	1000
Depth	c	17.52	445	17.52	445	17.52	445	17.52	445
Internal length (top)	d	60.63	1540	64.57	1640	68.50	1740	70.87	1800
Internal length (bottom)	e	42.52	1080	46.46	1180	50.39	1280	52.76	1340
Internal width (top)	f	23.23	590	25.20	640	29.13	740	31.50	800
Internal width (bottom)	g	18.50	470	20.47	520	24.41	620	26.77	680
Height with feet	h	22.24-23.62	565-600	21.85-23.23	555-590	22.24-23.62	565-600	21.85-23.23	555-590
Height of rim	i	1.97	50	1.97	50	1.97	50	1.97	50
Distance top edge to centre of overflow hole	j	2.76	70	2.76	70	2.76	70	2.76	70
Distance tub edge to centre of drain hole	k	33.46	850	35.43	900	37.40	950	39.37	1000
Diameter of overflow hole	l	2.05	52	2.05	52	2.05	52	2.05	52
Diameter of drain hole	m	3.54	90	3.54	90	3.54	90	3.54	90
Distance foot end of tub edge to centre of foot	n	21.85	555	21.85	555	22.44	570	24.41	620
Distance between the feet	o	23.23	590	27.17	690	29.92	760	29.92	760
Max. width of feet	p	17.52	445	20.28	515	24.02	610	26.57	675
Width of rim (foot end; lengthwise)	s ₁ ; s ₂	3.15; 3.15	80; 80	3.15; 3.15	80; 80	3.15; 3.15	80; 80	3.94; 3.94	100; 100
Distance between centre holes	u	11.22	285	12.20	310	14.17	360	15.35	390
Water volume** in gallons		32.23		42.00		58.18		68.68	
Weight of the enamelled bath tub in lbs		114.64		125.66		145.51		165.35	

Subject to technical alterations and tolerances.
 ** 18.49 gallons displacement on average.

KALDEWEI
 Europe's No. 1 for baths

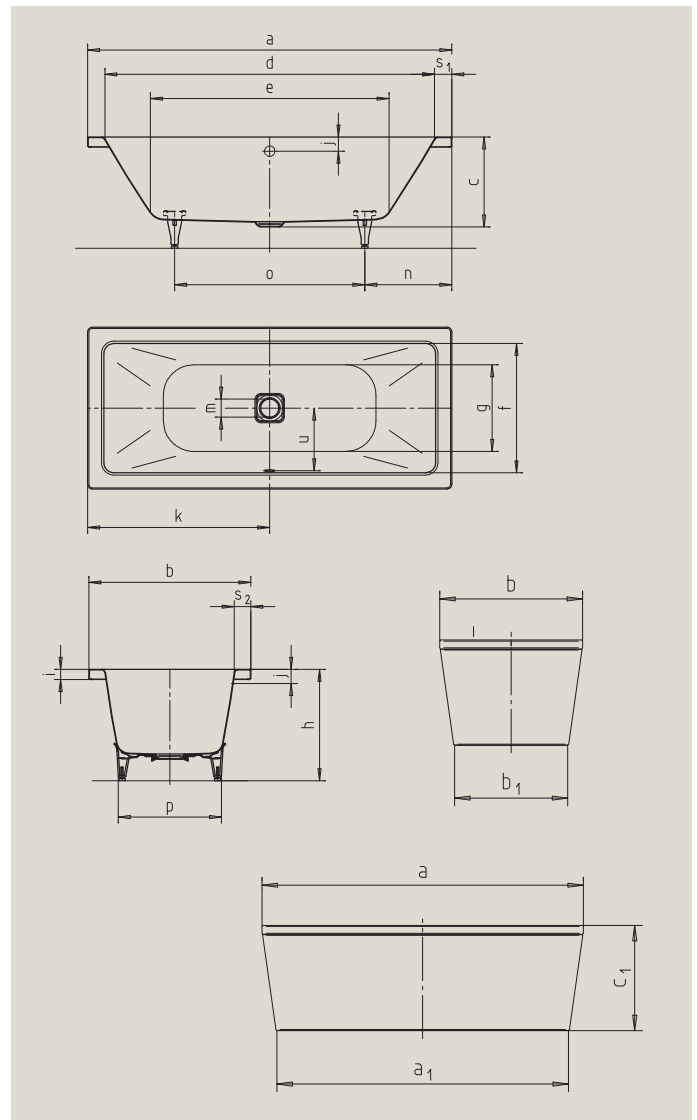
	Model Order No.	Dimensions inch (cm)	List price			\$
			alpine white	pergamon	black	
CONODUO Special outlet and overflow fitting or COMFORT-LEVEL mandatory for CONODUO plus special pedestal Mod. 5037	732 2350 1400 xxxx	66.93 x 29.53 x 16.93 170 x 75 x 43	2,113.00	2,642.00	2,958.00	
	733 2351 1400 xxxx	70.87 x 31.50 x 16.93 180 x 80 x 43	2,548.00	3,185.00	3,568.00	
	734 2352 1400 xxxx	74.80 x 35.43 x 16.93 190 x 90 x 43	3,340.00	4,175.00	4,676.00	
	735 2353 1400 xxxx	78.74 x 39.37 x 16.93 200 x 100 x 43	3,849.00	4,811.00	5,388.00	
Special outlet and overflow fitting for CONODUO	Model Order No.		List price			\$
with enamelled outlet cover and enamelled overflow knob	4080 6894 0417 xxxx		● 325.00	● 406.00	● 455.00	
with integrated filling function, enamelled outlet cover and chrome-plated overflow knob The 4081 fitting requires a pipe interrupter. This is not included.	4081 6877 7057 xxxx		● 860.00	● 1,075.00	● 1,204.00	
Drain adapter	Model Order No.		List price			\$
Drain adapter and cover without trap	6894 0417 xxxx		● 366.00	● 457.00	● 512.00	
Pedestal (required accessory)	Model Order No.					\$
Special pedestal for CONODUO	5037 5831 7000 0000				● 107.50/set	
Extra charge for easy-clean finish	xxxx xxxx 3xxx					161.50
More information on easy-clean finish can be found on page 122.						
Relax lounge	Model Order No.	Dimensions inch (cm)				\$
Beige for CONODUO Mod. 733	7100* 6897 1001 0000	70.87 x 31.50 180 x 80				● 3,308.00
Beige for CONODUO Mod. 734	7110* 6897 1002 0000	74.80 x 35.43 190 x 90				● 3,463.00
Storage rack	6897 1003 0000					● 1,110.00

Tile flange kit available, please see page 130.

***Available from May 2009**

CONODUO WITH MOULDED PANEL

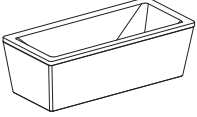
- straight-lined, purist design
- enamelled outlet cover and overflow knob integrated in the bath design
- bathing with a friend: two identical sloping back rests and centrally positioned outlet
- classic rectangular model
- made of Kaldewei steel enamel 3.5 mm
- the moulded panel emphasizes the high design standard and means the bath can be free-standing



Model No.		inch	mm	inch	mm	inch	mm
		733-7	733-7	734-7	734-7	735-7	735-7
External length	a	70.87	1800	74.80	1900	78.74	2000
External length (bottom)	a ₁	64.29	1633	68.23	1733	72.17	1833
External width	b	31.50	800	35.43	900	39.37	1000
External width (bottom)	b ₁	24.92	633	28.86	733	32.80	833
Depth	c	17.52	445	17.52	445	17.52	445
Overall height with panel	c ₁	23.23	590	23.23	590	23.23	590
Internal length (top)	d	64.57	1640	68.50	1740	70.87	1800
Internal length (bottom)	e	46.46	1180	50.39	1280	52.76	1340
Internal width (top)	f	25.20	640	29.13	740	31.50	800
Internal width (bottom)	g	20.47	520	24.41	620	26.77	680
Height with feet	h	21.85-23.23	555-590	22.24-23.62	565-600	21.85-23.23	555-590
Height of rim	i	1.97	50	1.97	50	1.97	50
Distance top edge to centre of overflow hole	j	2.76	70	2.76	70	2.76	70
Distance tub edge to centre of drain hole	k	35.43	900	37.40	950	39.37	1000
Diameter of overflow hole	l	2.05	52	2.05	52	2.05	52
Diameter of drain hole	m	3.54	90	3.54	90	3.54	90
Distance foot end of tub edge to centre of foot	n	21.85	555	22.44	570	24.41	620
Distance between the feet	o	27.17	690	29.92	760	29.92	760
Max. width of feet	p	20.28	515	24.02	610	26.57	675
Width of rim (foot end; lengthwise)	s ₁ ; s ₂	3.15; 3.15	80; 80	3.15; 3.15	80; 80	3.94; 3.94	100; 100
Distance between centre holes	u	12.20	310	14.17	360	15.35	390
Water volume** in gallons		41.99		58.11		68.67	
Weight of the enamelled bath tub in lbs		-		-		-	

Subject to technical alterations and tolerances.
** 18.49 gallons displacement on average.

KALDEWEI
Europe's No. 1 for baths

	Model Order No.	Dimensions inch (cm)	List price			\$
			alpine white	pergamon	black	
CONODUO with moulded panel** Special outlet and overflow fitting or COMFORT-LEVEL mandatory for CONODUO incl. flexible outlet hose and special pedestal Mod. 5037 	733-7 2351 1402 xxxx	70.87 x 31.50 x 16.93 180 x 80 x 43	7,540.00	9,425.00	10,556.00	
	734-7 2352 1402 xxxx	74.80 x 35.43 x 16.93 190 x 90 x 43	7,593.00	9,491.00	10,630.00	
	735-7 2353 1402 xxxx	78.74 x 39.37 x 16.93 200 x 100 x 43	8,029.00	10,036.00	11,240.00	
** Panel colors: alpine white, pergamon, black (color code see page 132).						
Special outlet and overflow fitting for CONODUO		Model Order No.	List price			\$
with enamelled outlet cover and overflow knob		4080 6894 0417 xxxx	●325.00	●406.00	●455.00	
with integrated filling function, enamelled outlet cover and chrome-plated overflow knob The 4081 fitting requires a pipe interrupter. This is not included.		4081 6877 7057 xxxx	●860.00	●1,075.00	●1,204.00	
COMFORT-LEVEL/COMFORT-LEVEL PLUS		Model Order No.	List price			\$
COMFORT-LEVEL CONODUO with enamelled outlet cover and chrome overflow knob		4004 6877 7067 xxxx	●443.00	●553.00	●620.00	
COMFORT-LEVEL PLUS CONODUO with enamelled outlet cover and chrome overflow knob The 4014 fitting requires a pipe interrupter. This is not included.		4014 6877 7068 xxxx	●967.00	●1,209.00	●1,354.00	
Extra charge for easy-clean finish		xxxx xxxx 3xxx				161.50
More information on easy-clean finish can be found on page 122.						
Relax lounge		Model Order No.	Dimensions inch (cm)			\$
Beige for CONODUO Mod. 733		7100* 6897 1001 0000	70.87 x 31.50 180 x 80			●3,308.00
Beige for CONODUO Mod. 734		7110* 6897 1002 0000	74.80 x 35.43 190 x 90			●3,463.00
Storage rack		6897 1003 0000				●1,110.00

Tile flange kit available, please see page 130.

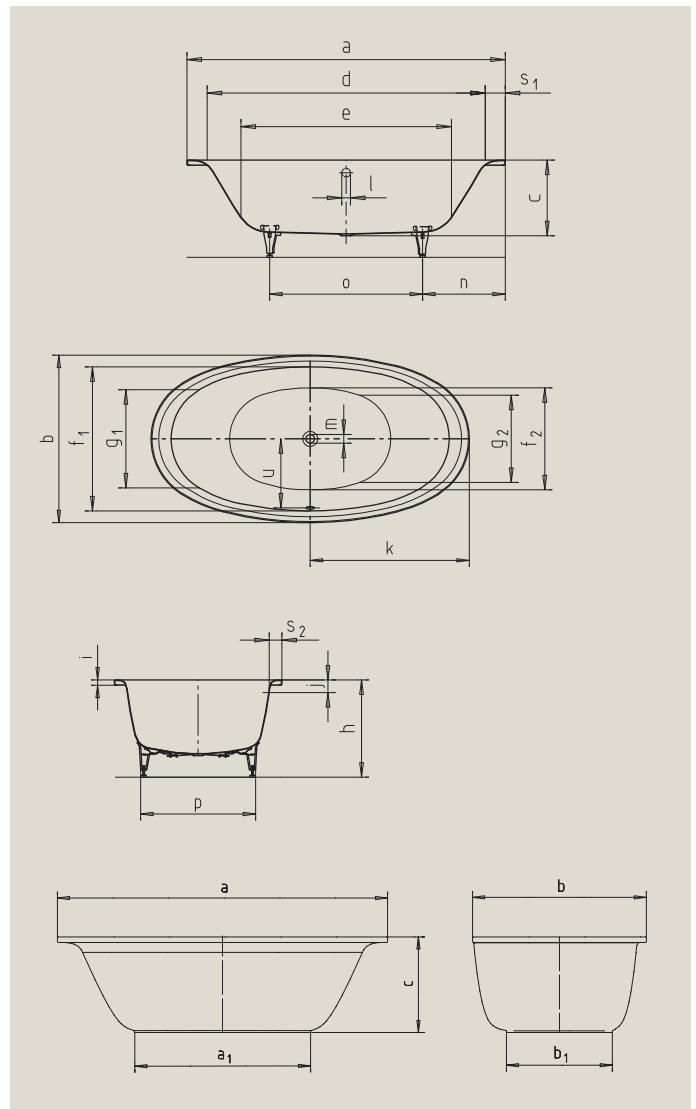
*Available from May 2009

LUXXO DUO OVAL

LUXXO DUO OVAL

WITH MOULDED PANEL

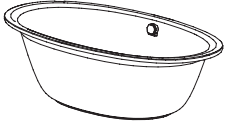
- gently shaped shoulder rest for more pleasure and comfort
- elliptical exterior form reflects the interior form
- bathing with a friend: two identical back rests and centrally positioned outlet
- made of Kaldewei steel enamel 3.5 mm
- the moulded panel emphasises the high design standard and enables the bath to be free-standing



Model No.	inch		mm		
	232	232	232-7	232-7	
External length	a	74.80	1900	74.80	1900
External length (bottom)	a ₁	-	-	39.88	1013
External width	b	39.37	1000	39.37	1000
External width (bottom)	b ₁	-	-	23.94	608
Depth	c	17.72	450	17.72	450
Overall height with panel	c ₁	-	-	21.65	550
Internal length (top)	d	65.35	1660	65.35	1660
Internal length (bottom)	e	49.61	1260	49.61	1260
Internal width (top)	f ₁ ; f ₂	33.86; 24.02	860; 610	33.86; 24.02	860; 610
Internal width (bottom)	g ₁ ; g ₂	23.03; 20.47	585; 520	23.03; 20.47	585; 520
Height with feet	h	22.24-23.43	565-595	22.24-23.43	565-595
Height of rim	i	1.26	32	1.26	32
Distance top edge to centre of overflow hole	j	2.95	75	2.95	75
Distance tub edge to centre of drain hole	k	37.40	950	37.40	950
Diameter of overflow hole	l	2.05	52	2.05	52
Diameter of drain hole	m	2.05	52	2.05	52
Distance foot end of tub edge to centre of foot	n	23.03	585	23.03	585
Distance between the feet	o	28.74	730	28.74	730
Max. width of feet	p	24.41	620	24.41	620
Width of rim (foot end; lengthwise)	s ₁ ; s ₂	4.72; 2.56	120; 65	4.72; 2.56	120; 65
Distance between centre holes	u	16.57	421	16.57	421
Water volume** in gallons		56.52		56.52	
Weight of the enamelled bath tub in lbs		121.25		-	

Subject to technical alterations and tolerances.
 ** 18.49 gallons displacement on average.

KALDEWEI
 Europe's No. 1 for baths

	Model Order No.	Dimensions inch (cm)	List price			\$
			alpine white	pergamon	black	
LUXXO DUO OVAL plus special pedestal Mod. 5037	232 2362 1400 xxxx	74.80 x 39.37 x 17.72 190 x 100 x 45	4,201.00	5,251.00	5,881.00	
LUXXO DUO OVAL with moulded panel** incl. flexible outlet hose and special pedestal Mod. 5037 COMFORT-LEVEL or COMFORT-LEVEL PLUS required 	232-7 2362 1402 xxxx	74.80 x 39.37 x 17.72 190 x 100 x 45	10,380.00	12,975.00	14,532.00	

** Panel colors: alpine white, pergamon, black (color code see page 132).

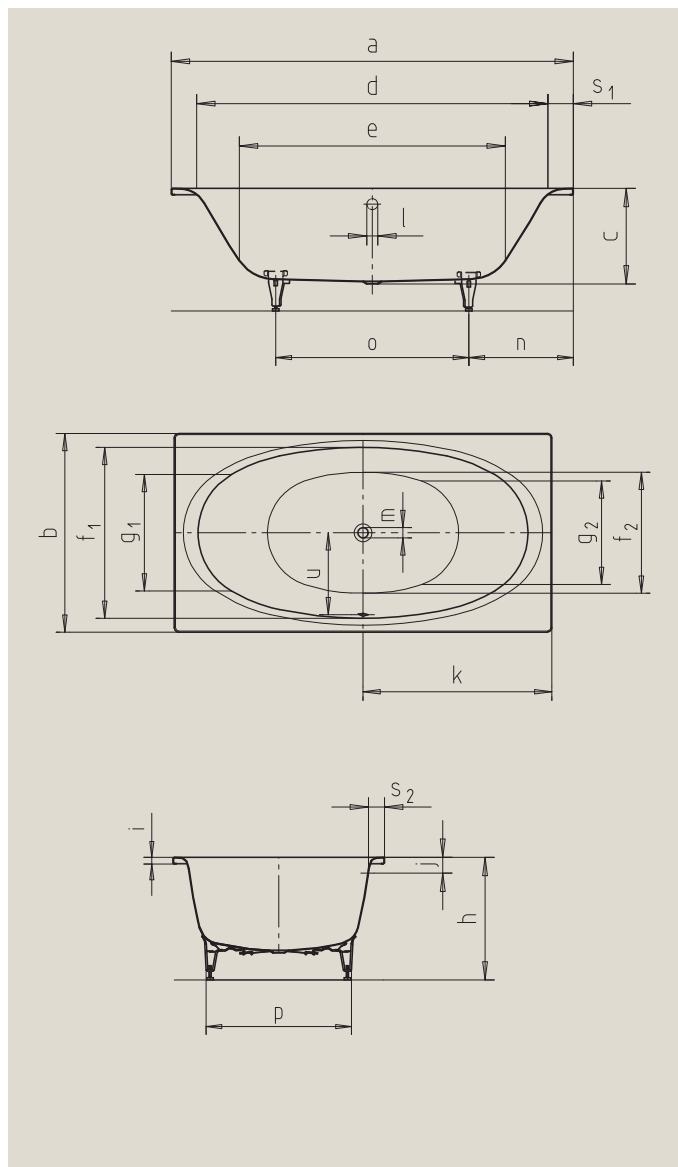
Pedestal (required accessory)	Model Order No.		\$
Special pedestal for LUXXO DUO OVAL	5037 5831 7000 0000		● 107.50/set
COMFORT-LEVEL/COMFORT-LEVEL PLUS	Model Order No.		\$
COMFORT-LEVEL special, chrome see page 127	4003 6877 7065 0000		● 398.00
COMFORT-LEVEL PLUS special, chrome see page 127	4013 6877 7066 0000		● 880.00
Extra charge for easy-clean finish	xxxx xxxx 3xxx		161.50

More information on easy-clean finish can be found on page 122.

Tile flange kit available, please see page 130.

LUX XO DUO

- gently shaped shoulder rest for more pleasure and comfort
- bathing with a friend: two identical sloping back rests and centrally positioned outlet
- classic rectangular model
- made of Kaldewei steel enamel 3.5 mm



		inch	mm
Model No.		230	230
External length	a	74.80	1900
External width	b	39.37	1000
Depth	c	17.72	450
Internal length (top)	d	65.35	1660
Internal length (bottom)	e	49.61	1260
Internal width (top)	f ₁ ; f ₂	33.86; 24.02	860; 610
Internal width (bottom)	g ₁ ; g ₂	23.03; 20.47	585; 520
Height with feet	h	22.24-23.43	565-595
Height of rim	i	1.26	32
Distance top edge to centre of overflow hole	j	2.95	75
Distance tub edge to centre of drain hole	k	37.40	950
Diameter of overflow hole	l	2.05	52
Diameter of drain hole	m	2.05	52
Distance foot end of tub edge to centre of foot	n	23.03	585
Distance between the feet	o	28.74	730
Max. width of feet	p	24.41	620
Width of rim (foot end; lengthwise)	s ₁ ; s ₂	4.72; 2.56	120; 65
Distance between centre holes	u	16.57	421
Water volume** in gallons		56.52	
Weight of the enamelled bath tub in lbs		130.07	

Subject to technical alterations and tolerances.
 ** 18.49 gallons displacement on average.

KALDEWEI
 Europe's No. 1 for baths

	Model Order No.	Dimensions inch (cm)	List price			\$
			alpine white	pergamon	black	
LUXXO DUO plus special pedestal Mod. 5037	230 2360 1400 xxx	74.80 x 39.37 x 17.72 190 x 100 x 45	3,287.00	4,108.00	4,601.00	
Pedestal (required accessory)	Model Order No.					\$
Special pedestal for LUXXO DUO	5037 5831 7000 0000					● 107.50/set
Extra charge for easy-clean finish	xxxx xxxx 3xxx					161.50
More information on easy-clean finish can be found on page 122.						

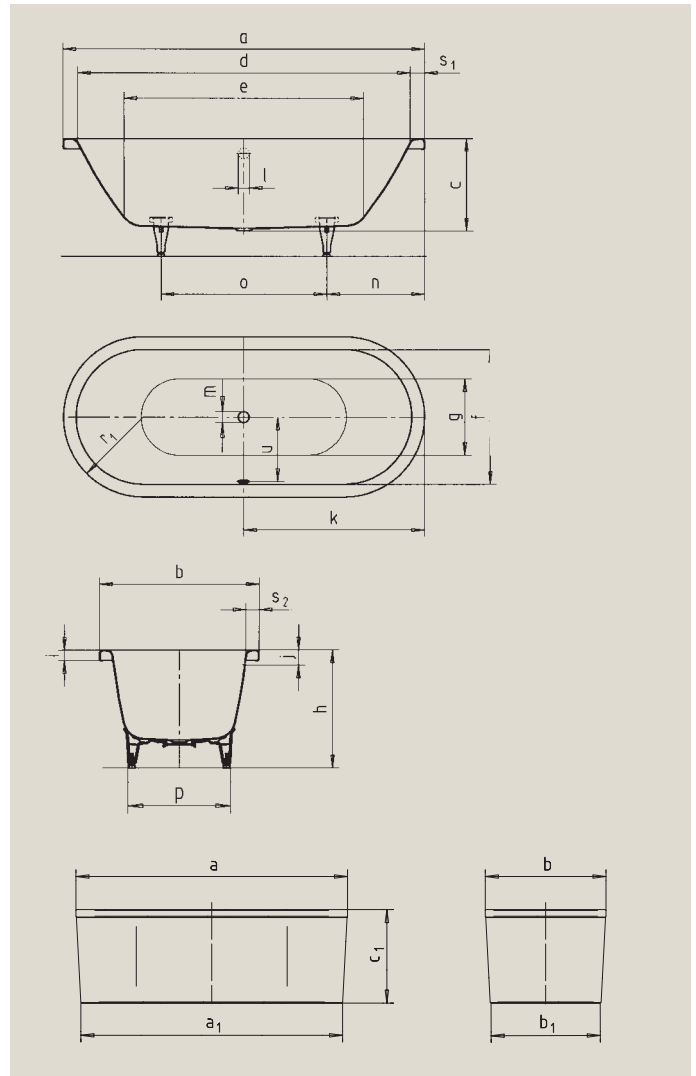
Tile flange kit available, please see page 130.

CENTRO DUO OVAL

CENTRO DUO OVAL

WITH MOULDED PANEL

- puristic simplicity and unpretentious elegance are what distinguish these bathtubs
- bathing with a friend: two identical back rests and centrally positioned outlet
- made of Kaldewei steel enamel 3.5 mm
- the moulded panel emphasises the high design standard and enables the bath to be free-standing

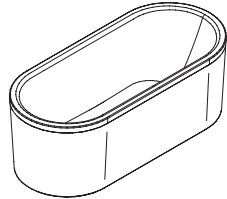


		inch	mm	inch	mm	inch	mm	inch	mm
Model No.		127	127	127-7	127-7	128	128	128-7	128-7
External length	a	66.93	1700	66.93	1700	70.87	1800	70.87	1800
External length (bottom)	a ₁	-	-	64.37	1635	-	-	68.31	1735
External width	b	29.53	750	29.53	750	31.50	800	31.50	800
External width (bottom)	b ₁	-	-	26.97	685	-	-	28.94	735
Depth	c	18.50	470	18.50	470	18.50	470	18.50	470
Overall height with panel	c ₁	-	-	24.41	620	-	-	24.41	620
Internal length (top)	d	62.20	1580	62.20	1580	66.14	1680	66.14	1680
Internal length (bottom)	e	44.49	1130	44.49	1130	48.43	1230	48.43	1230
Internal width (top)	f	24.80	630	24.80	630	26.77	680	26.77	680
Internal width (bottom)	g	20.08	510	20.08	510	22.05	560	22.05	560
Height with feet	h	23.82-25.20	605-640	23.82-25.20	605-640	23.43-24.80	595-630	23.43-24.80	595-630
Height of rim	i	1.97	50	1.97	50	1.97	50	1.97	50
Distance top edge to centre of overflow hole	j	2.76	70	2.76	70	2.76	70	2.76	70
Distance tub edge to centre of drain hole	k	33.46	850	33.46	850	35.43	900	35.43	900
Diameter of overflow hole	l	2.05	52	2.05	52	2.05	52	2.05	52
Diameter of drain hole	m	2.05	52	2.05	52	2.05	52	2.05	52
Distance foot end of tub edge to centre of foot	n	22.05	560	22.05	560	23.62	600	23.62	600
Distance between the feet	o	22.83	580	22.83	580	23.62	600	23.62	600
Max. width of feet	p	18.31	465	18.31	465	21.26	540	21.26	540
Radius	r ₁	18.31	375	19.76	375	15.75	400	15.75	400
Width of rim (foot end; lengthwise)	s ₁ ; s ₂	2.36; 2.36	60; 60	2.36; 2.36	60; 60	2.36; 2.36	60; 60	2.36; 2.36	60; 60
Distance between centre holes	u	12.09	307	12.09	307	13.07	332	13.07	332
Water volume** in gallons		41.2		41.2		51.5		51.5	
Weight of the enamelled bath tub in lbs		108.03		-		-		-	

Subject to technical alterations and tolerances.
 ** 18.49 gallons displacement on average.

KALDEWEI
 Europe's No. 1 for baths

	Model Order No.	Dimensions inch (cm)	List price			\$
			alpine white	pergamon	black	
CENTRO DUO OVAL plus ALLROUND pedestal Mod. 5030 plus special pedestal Mod. 5032	127 2927 1400 xxxx	66.93 x 29.53 x 18.50 170 x 75 x 47	3,428.00	4,285.00	4,800.00	
	128 2928 1400 xxxx	70.87 x 31.50 x 18.50 180 x 80 x 47	4,152.00	5,190.00	5,813.00	
CENTRO DUO OVAL with moulded panel** incl. flexible outlet hose and ALLROUND pedestal Mod. 5030 incl. flexible outlet hose and special pedestal Mod. 5032	127-7 2927 1402 xxxx	66.93 x 29.53 x 18.50 170 x 75 x 47	9,026.00	11,283.00	12,637.00	
	128-7 2928 1402 xxxx	70.87 x 31.50 x 18.50 180 x 80 x 47	9,945.00	12,432.00	13,923.00	



** Panel colors: alpine white, pergamon, black (color code see page 132).

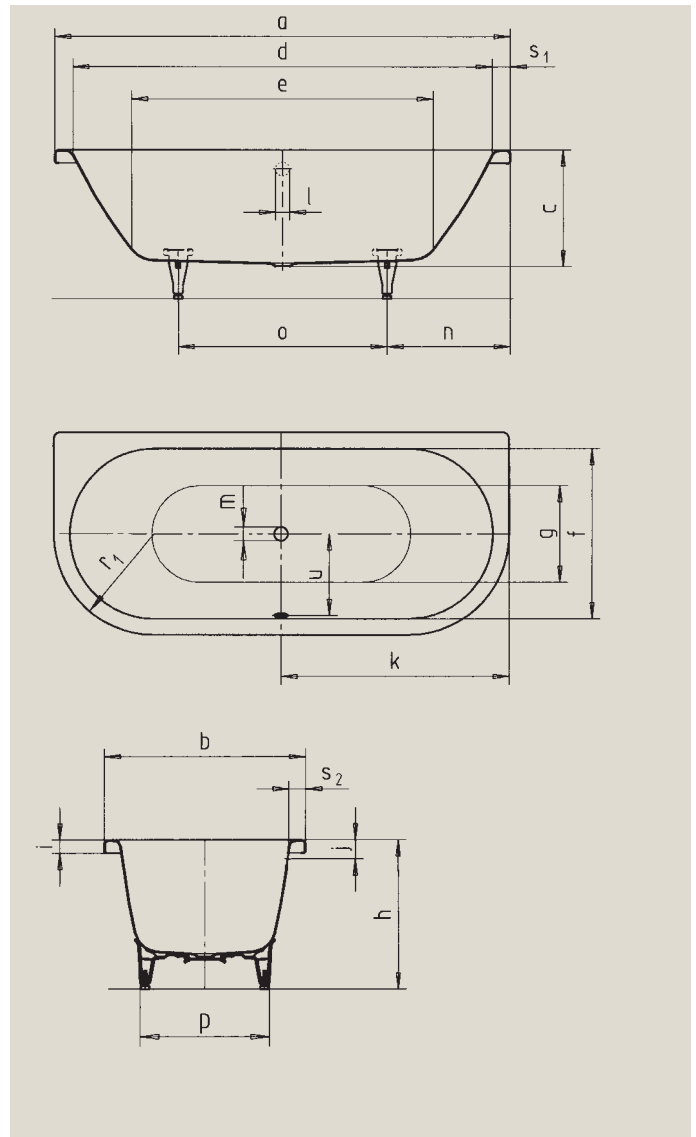
Pedestal (required accessory)	Model Order No.		\$
ALLROUND pedestal see page 122	5030 5814 7000 0000		●93.50/set
Special pedestal for CENTRO DUO OVAL Mod. 128	5032 5816 7000 0000		●107.50/set
COMFORT-LEVEL/COMFORT-LEVEL PLUS	Model Order No.		\$
COMFORT-LEVEL extended, chrome see page 127	4002 6877 7051 0000		●352.00
COMFORT-LEVEL PLUS extended, chrome see page 127	4012 6877 7062 0000		●832.00
Extra charge for easy-clean finish	xxxx xxxx 3xxx		161.50

More information on easy-clean finish can be found on page 122.

Tile flange kit available, please see page 130.

CENTRO DUO 2

- puristic simplicity and unpretentious elegance are what distinguish these bathtubs
- bathing with a friend: two identical back rests and centrally positioned outlet
- made of Kaldewei steel enamel 3.5 mm



		inch	mm	inch	mm
Model No.		131	131	135	135
External length	a	66.93	1700	70.87	1800
External width	b	29.53	750	31.50	800
Depth	c	18.50	470	18.50	470
Internal length (top)	d	62.20	1580	66.14	1680
Internal length (bottom)	e	44.49	1130	48.43	1230
Internal width (top)	f	24.80	630	26.77	680
Internal width (bottom)	g	20.08	510	22.05	560
Height with feet	h	23.82-25.20	605-640	23.43-24.80	595-630
Height of rim	i	1.97	50	1.97	50
Distance top edge to centre of overflow hole	j	2.76	70	2.76	70
Distance tub edge to centre of drain hole	k	33.46	850	35.43	900
Diameter of overflow hole	l	2.05	52	2.05	52
Diameter of drain hole	m	2.05	52	2.05	52
Distance foot end of tub edge to centre of foot	n	22.05	560	23.62	600
Distance between the feet	o	22.83	580	23.62	600
Max. width of feet	p	18.31	465	21.26	540
Radius	r ₁	14.76	375	15.75	400
Width of rim (foot end; lengthwise)	s ₁ ; s ₂	2.36; 2.36	60; 60	2.36; 2.36	60; 60
Distance between centre holes	u	12.09	307	13.07	332
Water volume** in gallons		41.2		51.5	
Weight of the enamelled bath tub in lbs		114.64		116.85	

Subject to technical alterations and tolerances.
 ** 18.49 gallons displacement on average.

KALDEWEI
 Europe's No. 1 for baths

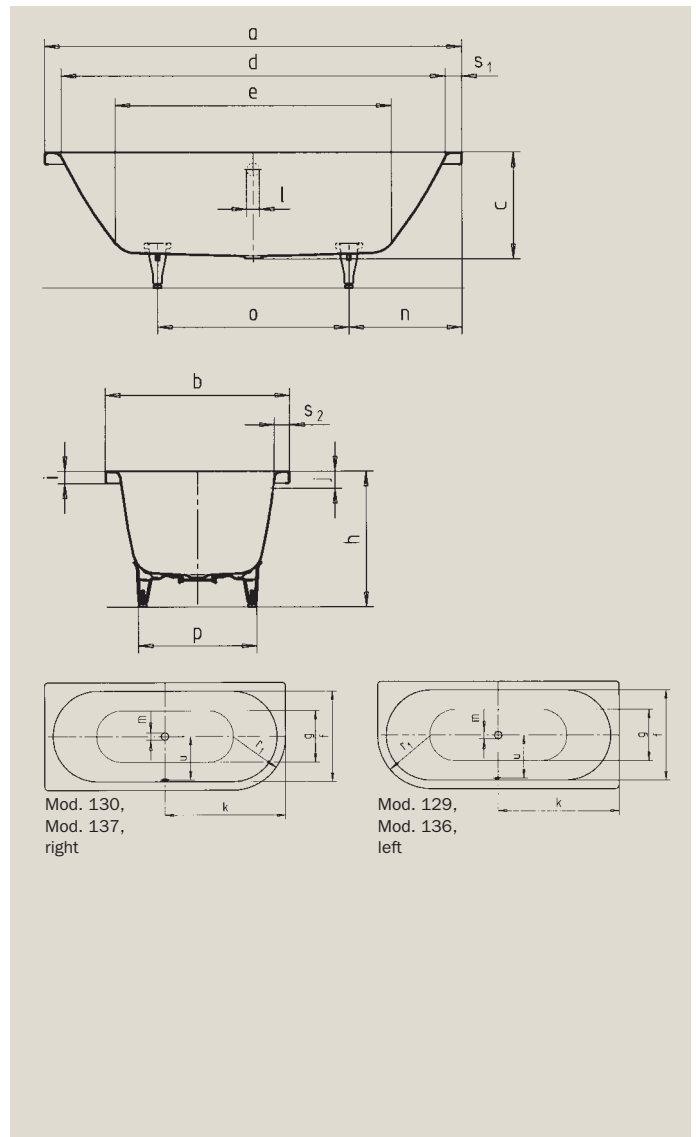
	Model Order No.	Dimensions inch (cm)	List price			\$
			alpine white	pergamon	black	
CENTRO DUO 2 plus ALLROUND pedestal Mod. 5030 plus special pedestal Mod. 5032	131 2931 1400 xxxx	66.93 x 29.53 x 18.50 170 x 75 x 47	3,428.00	4,285.00	4,800.00	
	135 2935 1400 xxxx	70.87 x 31.50 x 18.50 180 x 80 x 47	4,152.00	5,190.00	5,813.00	
Pedestal (required accessory)	Model Order No.					\$
ALLROUND pedestal see page 122	5030 5814 7000 0000					●93.50/set
Special pedestal for CENTRO DUO 2 Mod. 135	5032 5816 7000 0000					●107.50/set
Extra charge for easy-clean finish	xxxx xxxx 3xxx					161.50
More information on easy-clean finish can be found on page 122.						

Tile flange kit available, please see page 130.

CENTRO DUO 1 left

CENTRO DUO 1 right

- puristic simplicity and unpretentious elegance are what distinguish these bathtubs
- bathing with a friend: two identical back rests and centrally positioned outlet
- made of Kaldewei steel enamel 3.5 mm



		inch	mm	inch	mm	inch	mm	inch	mm
Model No.		129	129	130	130	136	136	137	137
External length	a	66.93	1700	66.93	1700	70.87	1800	70.87	1800
External width	b	29.53	750	29.53	750	31.50	800	31.50	800
Depth	c	18.50	470	18.50	470	18.50	470	18.50	470
Internal length (top)	d	62.20	1580	62.20	1580	66.14	1680	66.14	1680
Internal length (bottom)	e	44.49	1130	44.49	1130	48.43	1230	48.43	1230
Internal width (top)	f	24.80	630	24.80	630	26.77	680	26.77	680
Internal width (bottom)	g	20.08	510	20.08	510	22.05	560	22.05	560
Height with feet	h	23.82-25.20	605-640	23.82-25.20	605-640	23.43-24.80	595-630	23.43-24.80	595-630
Height of rim	i	1.97	50	1.97	50	1.97	50	1.97	50
Distance top edge to centre of overflow hole	j	2.76	70	2.76	70	2.76	70	2.76	70
Distance tub edge to centre of drain hole	k	33.46	850	33.46	850	35.43	900	35.43	900
Diameter of overflow hole	l	2.05	52	2.05	52	2.05	52	2.05	52
Diameter of drain hole	m	2.05	52	2.05	52	2.05	52	2.05	52
Distance foot end of tub edge to centre of foot	n	22.05	560	22.05	560	23.62	600	23.62	600
Distance between the feet	o	22.83	580	22.83	580	23.62	600	23.62	600
Max. width of feet	p	18.31	465	18.31	465	21.26	540	21.26	540
Radius	r ₁	18.31	375	14.76	375	15.75	400	15.75	400
Width of rim (foot end; lengthwise)	s ₁ ; s ₂	2.36; 2.36	60; 60	2.36; 2.36	60; 60	2.36; 2.36	60; 60	2.36; 2.36	60; 60
Distance between centre holes	u	12.09	307	12.09	307	13.07	332	13.07	332
Water volume** in gallons		41.2		41.2		51.5		51.5	
Weight of the enamelled bath tub in lbs		116.85		116.85		123.46		123.46	

Subject to technical alterations and tolerances.
 ** 18.49 gallons displacement on average.

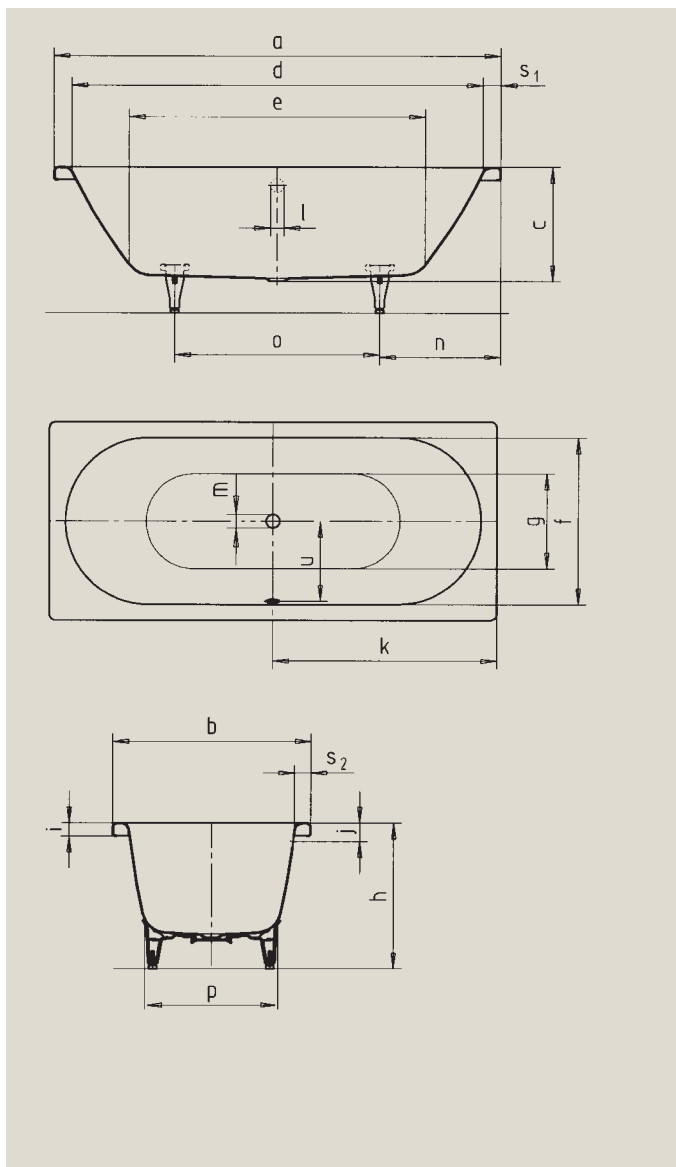
KALDEWEI
 Europe's No. 1 for baths

	Model Order No.	Dimensions inch (cm)	List price			\$
			alpine white	pergamon	black	
CENTRO DUO 1 left plus ALLROUND pedestal Mod. 5030 plus special pedestal Mod. 5032	129 2929 1400 xxxx	66.93 x 29.53 x 18.50 170 x 75 x 47	3,428.00	4,285.00	4,800.00	
	136 2936 1400 xxxx	70.87 x 31.50 x 18.50 180 x 80 x 47	4,152.00	5,190.00	5,813.00	
CENTRO DUO 1 right plus ALLROUND pedestal Mod. 5030 plus special pedestal Mod. 5032	130 2930 1400 xxxx	66.93 x 29.53 x 18.50 170 x 75 x 47	3,428.00	4,285.00	4,800.00	
	137 2937 1400 xxxx	70.87 x 31.50 x 18.50 180 x 80 x 47	4,152.00	5,190.00	5,813.00	
Pedestal (required accessory)	Model Order No.					\$
ALLROUND pedestal see page 122	5030 5814 7000 0000					●93.50/set
Special pedestal for CENTRO DUO 1 left and right Mod. 136/137	5032 5816 7000 0000					●107.50/set
Extra charge for easy-clean finish	xxxx xxxx 3xxx					161.50
More information on easy-clean finish can be found on page 122.						

Tile flange kit available, please see page 130.

CENTRO DUO

- puristic simplicity and unpretentious elegance are what distinguish these bathtubs
- bathing with a friend: two identical back rests and centrally positioned outlet
- classic four-cornered model
- made of Kaldewei steel enamel 3.5 mm



		inch	mm	inch	mm
Model No.		132	132	133	133
External length	a	66.93	1700	70.87	1800
External width	b	29.53	750	31.50	800
Depth	c	18.50	470	18.50	470
Internal length (top)	d	62.20	1580	66.14	1680
Internal length (bottom)	e	44.49	1130	48.43	1230
Internal width (top)	f	24.80	630	26.77	680
Internal width (bottom)	g	20.08	510	22.05	560
Height with feet	h	23.82-25.20	605-640	23.43-24.80	595-630
Height of rim	i	1.97	50	1.97	50
Distance top edge to centre of overflow hole	j	2.76	70	2.76	70
Distance tub edge to centre of drain hole	k	33.46	850	35.43	900
Diameter of overflow hole	l	2.05	52	2.05	52
Diameter of drain hole	m	2.05	52	2.05	52
Distance foot end of tub edge to centre of foot	n	22.05	560	23.62	600
Distance between the feet	o	22.83	580	23.62	600
Max. width of feet	p	18.31	465	21.26	540
Width of rim (foot end; lengthwise)	s ₁ ; s ₂	2.36; 2.36	60; 60	2.36; 2.36	60; 60
Distance between centre holes	u	12.09	307	13.07	332
Water volume** in gallons		41.2		51.5	
Weight of the enamelled bath tub in lbs		116.85		127.87	

Subject to technical alterations and tolerances.
 ** 18.49 gallons displacement on average.

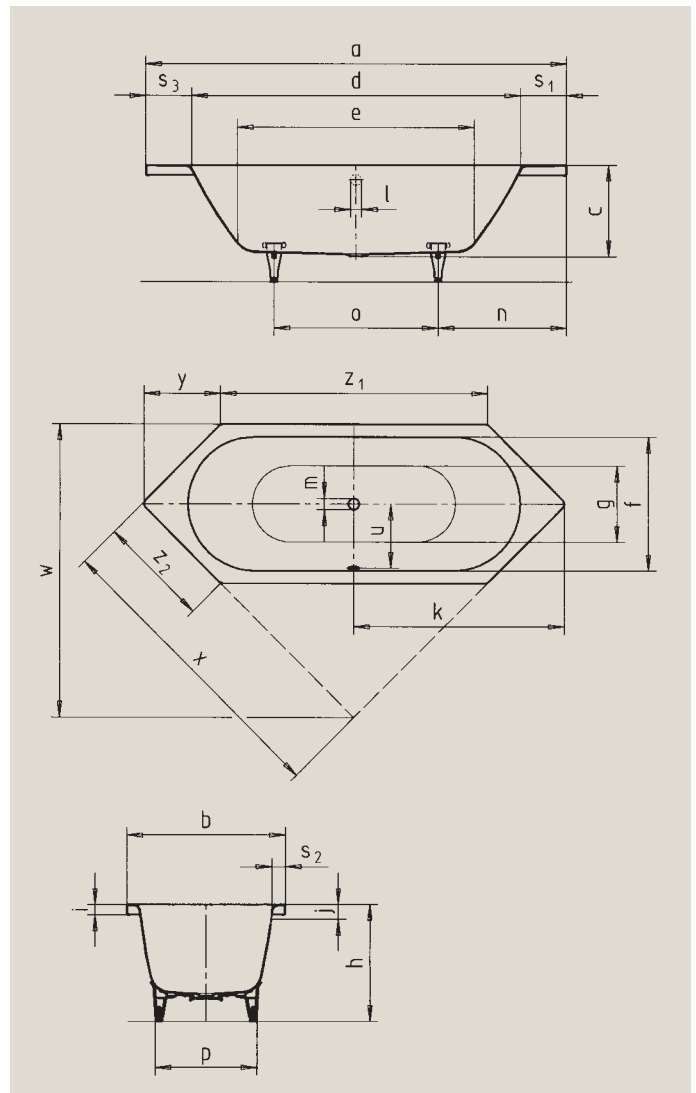
KALDEWEI
 Europe's No. 1 for baths

	Model Order No.	Dimensions inch (cm)	List price			\$
			alpine white	pergamon	black	
CENTRO DUO plus ALLROUND pedestal Mod. 5030 plus special pedestal Mod. 5032	132 2932 1400 xxxx	66.93 x 29.53 x 18.50 170 x 75 x 47	2,475.00	3,094.00	3,465.00	
	133 2933 1400 xxxx	70.87 x 31.50 x 18.50 180 x 80 x 47	2,988.00	3,735.00	4,184.00	
Pedestal (required accessory)	Model Order No.					\$
ALLROUND pedestal see page 122	5030 5814 7000 0000					● 93.50/set
Special pedestal for CENTRO DUO Mod. 133	5032 5816 7000 0000					● 107.50/set
Extra charge for easy-clean finish	xxxx xxxx 3xxx					161.50
More information on easy-clean finish can be found on page 122.						

Tile flange kit available, please see page 130.

CENTRO DUO 6

- puristic simplicity and unpretentious elegance are what distinguish these bathtubs
- bathing with a friend: two identical back rests and centrally positioned outlet
- diverse installation possibilities, also corner installation
- made of Kaldewei steel enamel 3.5 mm



		inch	mm
Model No.		134	134
External length	a	78.74	2000
External width	b	29.53	750
Depth	c	18.50	470
Internal length (top)	d	62.20	1580
Internal length (bottom)	e	44.49	1130
Internal width (top)	f	24.80	630
Internal width (bottom)	g	20.08	510
Height with feet	h	23.82-25.20	605-640
Height of rim	i	1.97	50
Distance top edge to centre of overflow hole	j	2.76	70
Distance tub edge to centre of drain hole	k	39.37	1000
Diameter of overflow hole	l	2.05	52
Diameter of drain hole	m	2.05	52
Distance foot end of tub edge to centre of foot	n	27.95	710
Distance between the feet	o	22.83	580
Max. width of feet	p	18.31	465
Width of rim (foot end; lengthwise; head end)	s ₁ ; s ₂ ; s ₃	8.58; 2.36; 8.58	218; 60; 218
Distance between centre holes	u	12.09	307
Installation dimension	w	52.56	1335
Side length; Fase	x; y	56.10; 14.37	1425; 365
Side length	z ₁ ; z ₂	50.00; 20.87	1270; 530
Water volume** in gallons		41.2	
Weight of the enamelled bath tub in lbs		116.85	

Subject to technical alterations and tolerances.
 ** 18.49 gallons displacement on average.

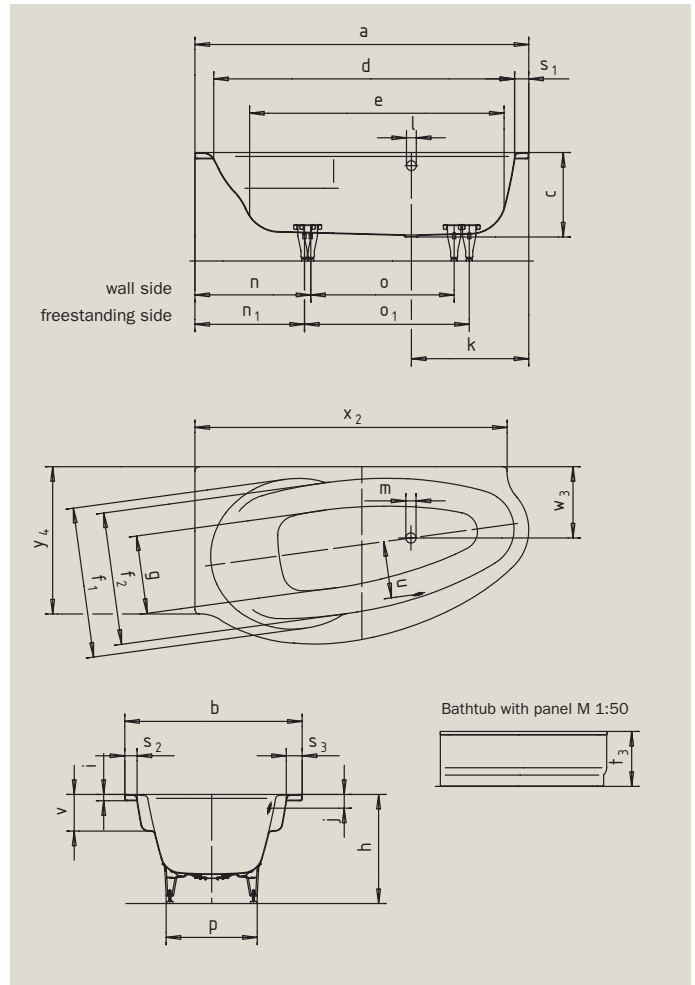
KALDEWEI
 Europe's No. 1 for baths

	Model Order No.	Dimensions inch (cm)	List price			\$
			alpine white	pergamon	black	
CENTRO DUO 6 plus ALLROUND pedestal Mod. 5030	134 2934 1400 xxx	78.74 x 29.53 x 18.50 200 x 75 x 47	5,188.00	6,485.00	7,264.00	
Pedestal (required accessory)	Model Order No.					\$
ALLROUND pedestal see page 122	5030 5814 7000 0000					● 93.50/set
Extra charge for easy-clean finish	xxxx xxxx 3xxx					161.50
More information on easy-clean finish can be found on page 122.						

Tile flange kit available, please see page 130.

ATMO right

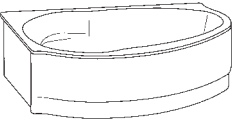
- harmoniously designed corner bathtub with left and right installation options
- generously proportioned area for the back and integrated arm rests
- made of Kaldewei steel enamel 3.5 mm
- also available with panel



		inch	mm
Model No.		826	826
External length	a	66.93	1700
External width	b	35.43	900
Depth	c	16.93	430
Internal length (top)	d	60.83	1545
Internal length (bottom)	e	50.79	1290
Internal width (top)	f ₁ ; f ₂	30.12; 26.57	765; 675
Internal width (bottom)	g	13.39	340
Height with feet	h	21.65-22.64	550-575
Height of rim	i	1.26	32
Distance top edge to centre of overflow hole	j	2.76	70
Distance tub edge to centre of drain hole	k	23.62	600
Diameter of overflow hole	l	2.05	52
Diameter of drain hole	m	2.05	52
Distance foot end of tub edge to centre of foot	n; n ₁	23.23; 21.97	590; 558
Distance between the feet	o; o ₁	29.33; 34.65	745; 880
Max. width of feet	p	20.67	525
Width of rim (foot end; lengthwise)	s ₁ ; s ₂ ; s ₃	2.95; 2.36; 5.51	75; 60; 140
Height with support and panel	t ₃	22.05	560
Distance between centre holes	u	11.42	290
Armrest depth	v	7.87	200
Distance tub edge (lengthwise) to drain hole	w ₃	14.29	363
Side length (lengthwise)	x ₂	62.60	1590
Side length (head end)	y ₄	29.53	750
Water volume** in gallons		39.35	
Weight of the enamelled bath tub in lbs		119.05	

Subject to technical alterations and tolerances.
 ** 18.49 gallons displacement on average.

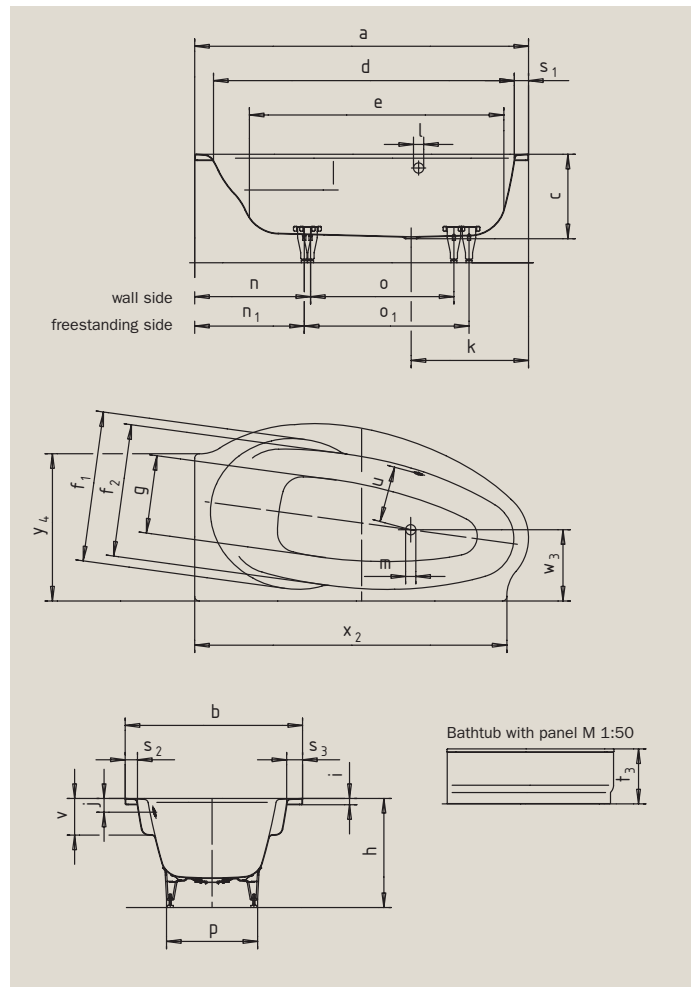
KALDEWEI
 Europe's No. 1 for baths

	Model Order No.	Dimensions inch (cm)	List price		
			alpine white	pergamon	black
ATMO right plus special pedestal Mod. 5037	826-1 2222 1400 xxxx	66.93 x 35.43 x 16.93 170 x 90 x 43	3,648.00	4,560.00	5,108.00
with polystyrene support and panel** 	826-3** 2222 1409 xxxx	66.93 x 35.43 x 16.93 170 x 90 x 43	6,068.00	7,585.00	
** Panel colors: alpine white, pergamon (color code see page 132).					
Pedestal (required accessory)	Model Order No.				\$
Special pedestal for ATMO	5037 5831 7000 0000				● 107.50/set
Extra charge for easy-clean finish	xxxx xxxx 3xxx				161.50
More information on easy-clean finish can be found on page 122.					

Tile flange kit available, please see page 130.

ATMO left

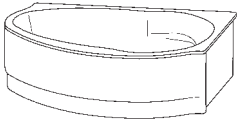
- harmoniously designed corner bathtub with left and right installation options
- generously proportioned area for the back and integrated arm rests
- made of Kaldewei steel enamel 3.5 mm
- also available with panel



		inch	mm
Model No.		828	828
External length	a	66.93	1700
External width	b	35.43	900
Depth	c	16.93	430
Internal length (top)	d	60.83	1545
Internal length (bottom)	e	50.79	1290
Internal width (top)	f ₁ ; f ₂	30.12; 26.57	765; 675
Internal width (bottom)	g	13.39	340
Height with feet	h	21.65-22.64	550-575
Height of rim	i	1.26	32
Distance top edge to centre of overflow hole	j	2.76	70
Distance tub edge to centre of drain hole	k	23.62	600
Diameter of overflow hole	l	2.05	52
Diameter of drain hole	m	2.05	52
Distance foot end of tub edge to centre of foot	n; n ₁	23.23; 21.97	590; 558
Distance between the feet	o; o ₁	29.33; 34.65	745; 880
Max. width of feet	p	20.67	525
Width of rim (foot end; lengthwise)	s ₁ ; s ₂ ; s ₃	2.95; 2.36; 5.51	75; 60; 140
Height with support and panel	t ₃	22.05	560
Distance between centre holes	u	11.42	290
Armrest depth	v	7.87	200
Distance tub edge (lengthwise) to drain hole	w ₃	14.29	363
Side length (lengthwise)	x ₂	62.60	1590
Side length (head end)	y ₄	29.53	750
Water volume** in gallons		39.35	
Weight of the enamelled bath tub in lbs		119.05	

Subject to technical alterations and tolerances.
 ** 18.49 gallons displacement on average.

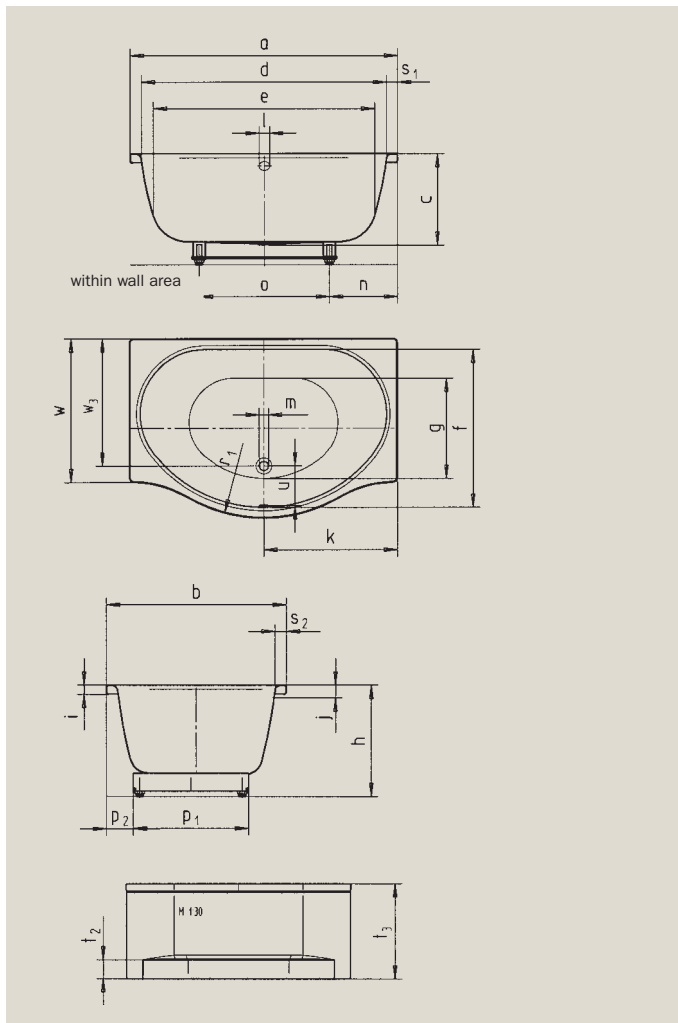
KALDEWEI
 Europe's No. 1 for baths

	Model Order No.	Dimensions inch (cm)	List price			\$
			alpine white	pergamon	black	
ATMO left plus special pedestal Mod. 5037	828-1 2228 1400 xxxx	66.93 x 35.43 x 16.93 170 x 90 x 43	3,648.00	4,560.00	5,108.00	
with polystyrene support and panel** 	828-3** 2228 1409 xxxx	66.93 x 35.43 x 16.93 170 x 90 x 43	6,068.00	7,585.00		
** Panel colors: alpine white, pergamon (color code see page 132).						
Pedestal (required accessory)	Model Order No.					\$
Special pedestal for ATMO	5037 5831 7000 0000					●107.50/set
Extra charge for easy-clean finish	xxxx xxxx 3xxx					161.50
More information on easy-clean finish can be found on page 122.						

Tile flange kit available, please see page 130.

DUO POOL

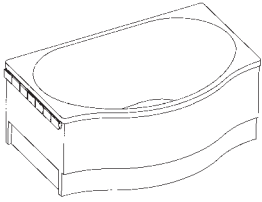
- 19.88 inch deep tub for submerging
- lots of space and freedom of movement despite its compact external dimensions
- provides perfect bathing comfort even in small bathrooms
- made of Kaldewei steel enamel 3.5 mm
- also available with panel



		inch	mm
Model No.		150	150
External length	a	59.06	1500
External width	b	39.37	1000
Depth	c	19.88	505
Internal length (top)	d	51.18	1300
Internal length (bottom)	e	47.24	1200
Internal width (top)	f ₁ ; f ₂	34.65	880
Internal width (bottom)	g	22.05	560
Height with feet	h	24.41-25.20	620-640
Height of rim	i	1.97	50
Distance top edge to centre of overflow hole	j	2.76	70
Distance tub edge to centre of drain hole	k	29.53	750
Diameter of overflow hole	l	2.05	52
Diameter of drain hole	m	2.05	52
Distance foot end of tub edge to centre of foot	n	15.16	385
Distance between the feet	o	28.74	730
Max. width of feet	p ₁ ; p ₂	25.20; 5.91	640; 150
Radius	r ₁	33.46	850
Width of rim (lengthwise; diagonal)	s ₁ ; s ₂	2.36; 2.36	60; 60
Height of base	t ₂	5.31	135
Height with support and panel	t ₃	25.20	640
Distance between centre holes	u	8.66	220
Installation dimension	w	31.50	800
Distance tub edge (lengthwise) to drain hole	w ₃	27.95	710
Water volume** in gallons		63.39	
Weight of the enamelled bath tub in lbs		119.05	

Subject to technical alterations and tolerances.
 ** 18.49 gallons displacement on average.

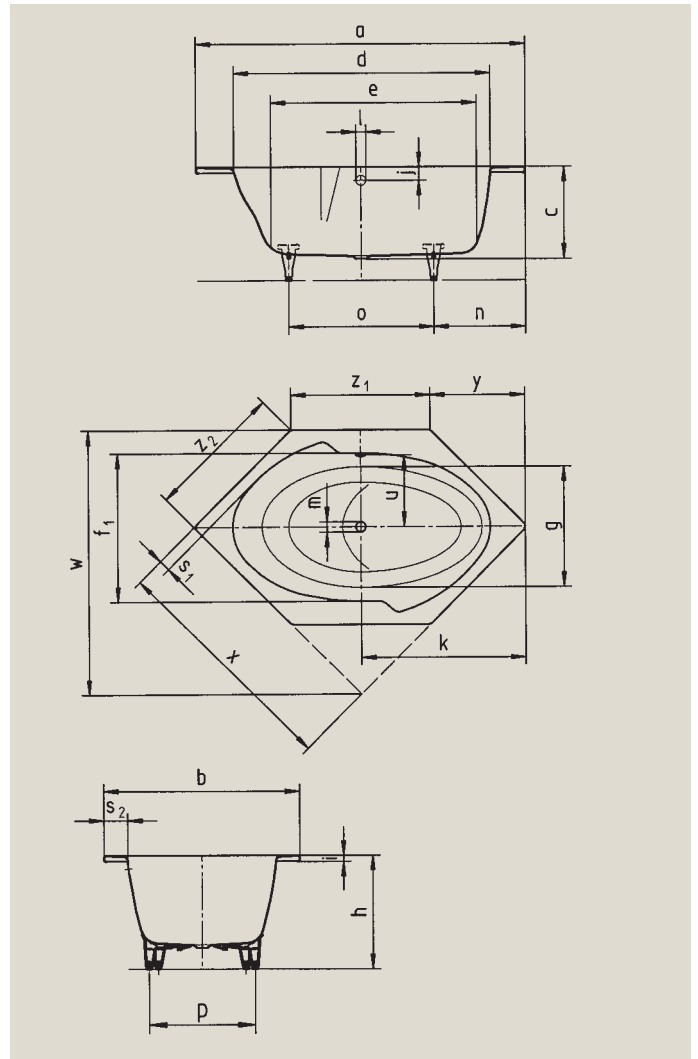
KALDEWEI
 Europe's No. 1 for baths

	Model Order No.	Dimensions inch (cm)	List price			\$
			alpine white	pergamon	black	
DUO POOL plus special pedestal Mod. 5038	150-1 2227 1400 xxxx	59.06 x 39.37 x 19.88 150 x 100 x 50.5	4,284.00	5,355.00	5,997.00	
with polystyrene support and front panel** 	150-3** 2227 1406 xxxx	59.06 x 39.37 x 19.88 150 x 100 x 50.5	6,020.00	7,524.00		
with polystyrene support, front panel and side panel right**	150-4** 2227 1407 xxxx	59.06 x 39.37 x 19.88 150 x 100 x 50.5	6,655.00	8,319.00		
with polystyrene support, front panel and side panel left**	150-5** 2227 1408 xxxx	59.06 x 39.37 x 19.88 150 x 100 x 50.5	6,655.00	8,319.00		
with polystyrene support, front panel and 2 side panels**	150-6** 2227 1409 xxxx	59.06 x 39.37 x 19.88 150 x 100 x 50.5	7,296.00	9,119.00		
** Panel colors: alpine white, pergamon (color code see page 132).						
Pedestal (required accessory)	Model Order No.					\$
Special pedestal for DUO POOL	5038 5833 7000 0000					● 266.00/set
Extra charge for easy-clean finish	xxxx xxxx 3xxx					161.50
More information on easy-clean finish can be found on page 122.						

Tile flange kit available, please see page 130.

TWIN POOL

- unmistakable style: interior ellipse with hexagonal exterior contours
- large interior despite compact exterior contours
- diverse installation possibilities, also corner installation
- made of Kaldewei steel enamel 3.5 mm



		inch	mm
Model No.		660	660
External length	a	66.93	1700
External width	b	39.37	1000
Depth	c	18.50	470
Internal length (top)	d	52.17	1325
Internal length (bottom)	e	41.34	1050
Internal width (top)	f ₁ ; f ₂	29.53; 33.46	750; 850
Internal width (bottom)	g	21.65	550
Height with feet	h	23.27-25.63	591-651
Height of rim	i	1.26	32
Distance top edge to centre of overflow hole	j	2.76	70
Distance tub edge to centre of drain hole	k	33.46	850
Diameter of overflow hole	l	2.05	52
Diameter of drain hole	m	2.05	52
Distance foot end of tub edge to centre of foot	n	21.42	544
Distance between the feet	o	24.09	612
Max. width of feet	p	20.28	515
Width of rim (diagonal; lengthwise)	s ₁ ; s ₂	2.17; 4.72	55; 120
Distance between centre holes	u	14.69	373
Installation dimension	w	53.54	1360
Side length	x	47.83	1215
Fase	y	19.29	490
Side length	z ₁ ; z ₂	28.35; 27.83	720; 707
Water volume** in gallons		39.62	
Weight of the enamelled bath tub in lbs		105.82	

Subject to technical alterations and tolerances.
 ** 18.49 gallons displacement on average.

KALDEWEI
 Europe's No. 1 for baths

	Model Order No.	Dimensions inch (cm)	Colour price groups			\$
			alpine white	pergamon	black	
TWIN POOL plus special pedestal Mod. 5037 Special model also available with overflow hole located opposite without extra charge	660 2281 1400 xxx	66.93 x 39.37 x 18.50 170 x 100 x 47	3,541.00	4,426.00	4,957.00	
Pedestal (required accessory)	Model Order No.					
Special pedestal for TWIN POOL	5037 5831 7000 0000					● 107.50/set
Extra charge for easy-clean finish	xxxx xxx 3xxx					161.50
More information on easy-clean finish can be found on page 122.						

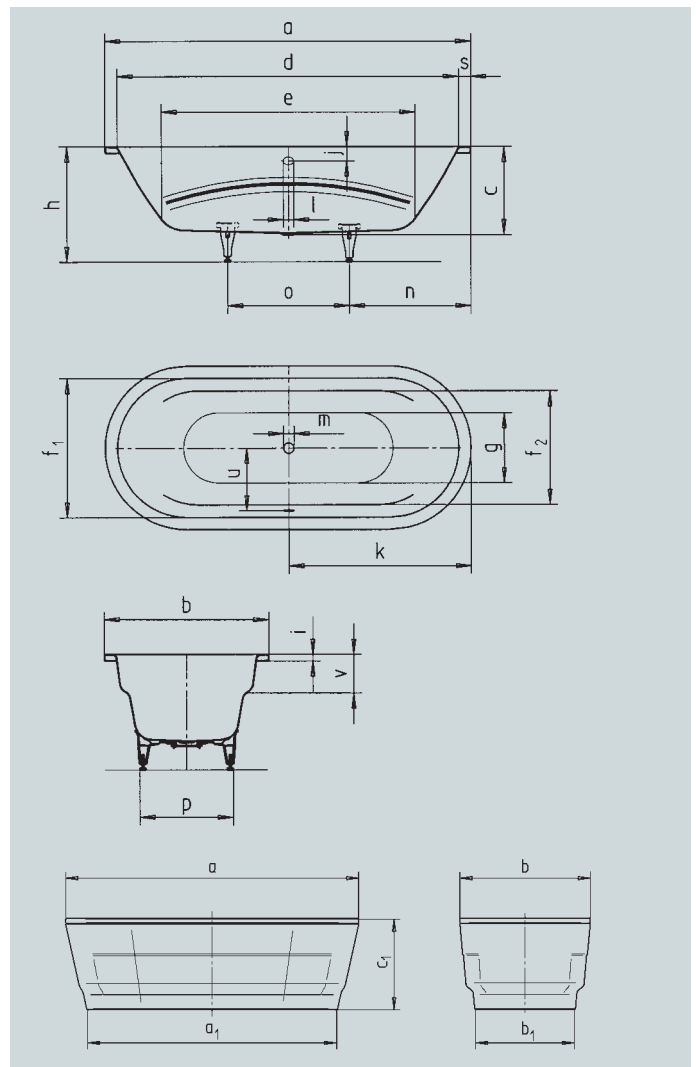
Tile flange kit available, please see page 130.

VAIO DUO OVAL

VAIO DUO OVAL

WITH MOULDED PANEL

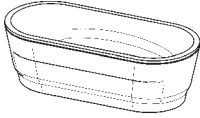
- bathing with a friend: two identical back rests and centrally positioned outlet
- with integrated arm rests
- made of Kaldewei steel enamel 3.5 mm
- the moulded panel emphasises the high design standard and enables the bathtub to be free-standing



Model No.		inch		mm	
		951	951	951-7	951-7
External length	a	70.87	1800	70.87	1800
External width	b	31.50	800	31.50	800
Depth	c	16.93	430	16.93	430
External length (bottom)	a ₁	-	-	60.24	1530
External width (bottom)	b ₁	-	-	23.94	608
Overall height with panel	c ₁	-	-	22.05	560
Internal length (top)	d	66.14	1680	66.14	1680
Internal length (bottom)	e	49.13	1248	49.13	1248
Internal width (top)	f ₁ ; f ₂	26.77; 21.85	680; 555	26.77; 21.85	680; 555
Internal width (bottom)	g	13.50	496	13.50	496
Height with feet	h	21.65-23.23	550-590	21.65-23.23	550-590
Height of rim	i	1.26	32	1.26	32
Distance top edge to centre of overflow hole	j	2.76	70	2.76	70
Distance tub edge to centre of drain hole	k	35.43	900	35.43	900
Diameter of overflow hole	l	2.05	52	2.05	52
Diameter of drain hole	m	2.05	52	2.05	52
Distance foot end of tub edge to centre of foot	n	23.62	600	23.62	600
Distance between the feet	o	23.62	600	23.62	600
Max. width of feet	p	17.91	455	17.91	455
Width of rim (foot end; lengthwise)	s	2.36	60	2.36	60
Distance between centre holes	u	13.07	332	13.07	332
Armrest depth	v	7.09	180	7.09	180
Water volume** in gallons		40.94		40.94	
Weight of the enamelled bath tub in lbs		112.44		-	

Subject to technical alterations and tolerances.
 ** 18.49 gallons displacement on average.

KALDEWEI
 Europe's No. 1 for baths

	Model Order No.	Dimensions inch (cm)	List price		
			alpine white	pergamon	black
VAIO DUO OVAL plus ALLROUND pedestal Mod. 5030	951 2331 1400 xxxx	70.87 x 31.50 x 16.93 180 x 80 x 43	2,504.00	3,130.00	3,506.00
VAIO DUO OVAL with moulded panel** incl. flexible outlet hose and ALLROUND pedestal Mod. 5030 	951-7** 2331 1402 xxxx	70.87 x 31.50 x 16.93 180 x 80 x 43	6,254.00	7,818.00	8,756.00

** Panel colors: alpine white, pergamon, black (color code see page 132).

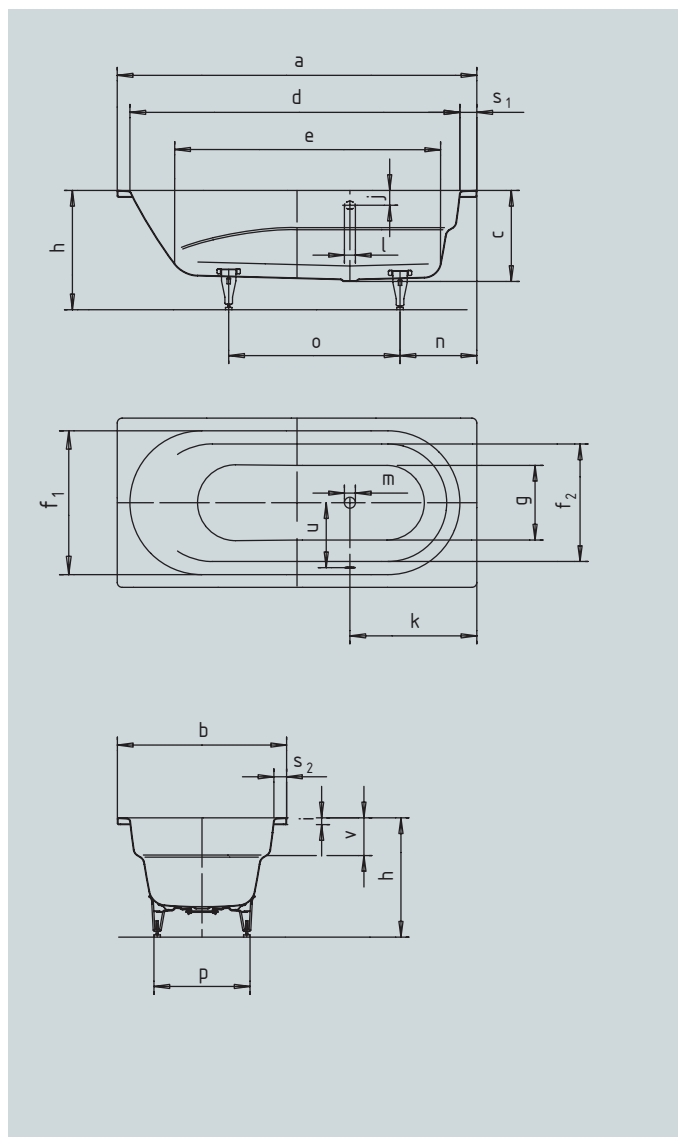
Pedestal (required accessory)	Model Order No.		\$
ALLROUND pedestal see page 122	5030 5814 7000 0000		● 93.50/set
COMFORT-LEVEL/COMFORT-LEVEL PLUS	Model Order No.		\$
COMFORT-LEVEL extended, chrome see page 127	4002 6877 7051 0000		● 352.00
Extra charge for easy-clean finish	xxxx xxxx 3xxx		161.50

More information on easy-clean finish can be found on page 122.

Tile flange kit available, please see page 130.

VAIO

- one-seater bathtub with side overflow and integrated arm rests
- classic four-cornered model
- made of Kaldewei steel enamel 3.5 mm



		inch	mm
Model No.		960	960
External length	a	66.93	1700
External width	b	31.50	800
Depth	c	16.93	430
Internal length (top)	d	61.42	1560
Internal length (bottom)	e	49.41	1255
Internal width (top)	f ₁ ; f ₂	26.77; 21.85	680; 555
Internal width (bottom)	g	13.78	496
Height with feet	h	21.85-23.23	555-590
Height of rim	i	1.26	32
Distance top edge to centre of overflow hole	j	2.76	70
Distance tub edge to centre of drain hole	k	23.62	600
Diameter of overflow hole	l	2.05	52
Diameter of drain hole	m	2.05	52
Distance foot end of tub edge to centre of foot	n	17.44	443
Distance between the feet	o	26.38	670
Max. width of feet	p	17.52	980
Width of rim (foot end; lengthwise)	s ₁ ; s ₂	3.15; 2.36	80; 60
Distance between centre holes	u	13.07	332
Armrest depth	v	7.09	180
Water volume** in gallons		38.30	
Weight of the enamelled bath tub in lbs		110.23	

Subject to technical alterations and tolerances.
 ** 18.49 gallons displacement on average.

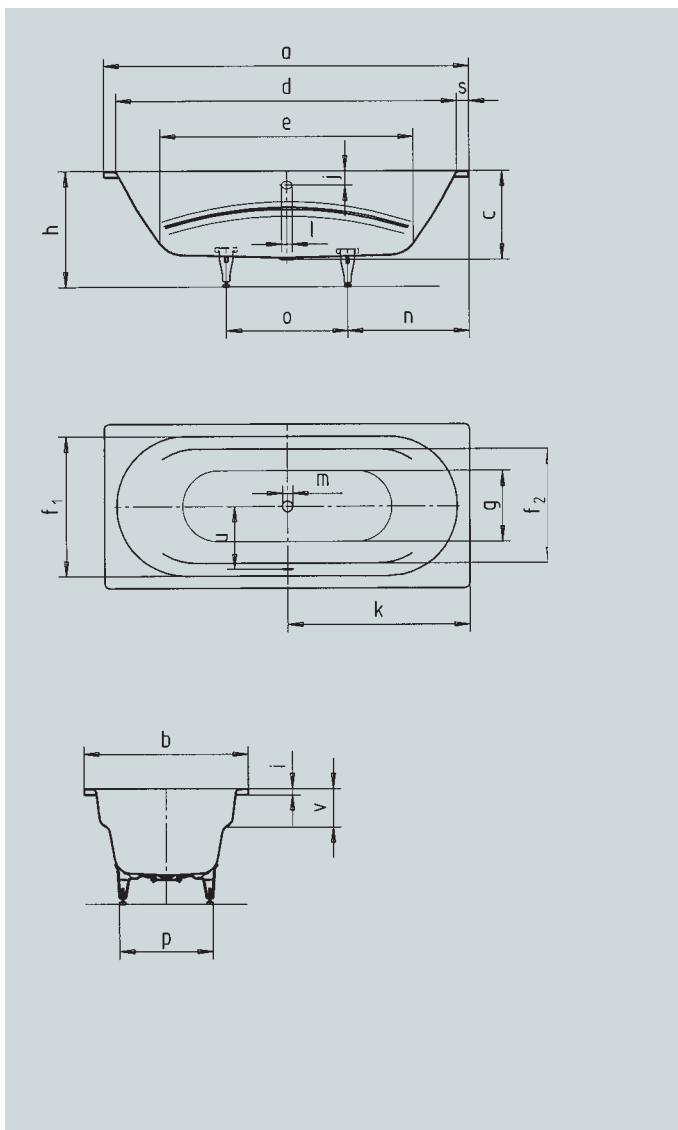
KALDEWEI
 Europe's No. 1 for baths

	Model Order No.	Dimensions inch (cm)	List price			\$
			alpine white	pergamon	black	
VAIO plus ALLROUND pedestal Mod. 5030 Special model also available with overflow hole located opposite without extra charge	960 2340 1400 xxxx	66.93 x 31.50 x 16.93 170 x 80 x 43	1,637.00	2,046.00	2,291.00	
Pedestal (required accessory)	Model Order No.					
ALLROUND pedestal see page 122	5030 5814 7000 0000					●93.50/set
Extra charge for easy-clean finish	xxxx xxxx 3xxx					161.50
More information on easy-clean finish can be found on page 122.						

Tile flange kit available, please see page 130.

VAIO DUO

- bathing with a friend: two identical back rests and centrally positioned outlet
- with integrated arm rests
- classic four-cornered model
- made of Kaldewei steel enamel 3.5 mm



		inch	mm
Model No.		950	950
External length	a	70.87	1800
External width	b	31.50	800
Depth	c	16.93	430
Internal length (top)	d	66.14	1680
Internal length (bottom)	e	49.13	1248
Internal width (top)	f ₁ ; f ₂	26.77; 21.85	680; 555
Internal width (bottom)	g	19.53	496
Height with feet	h	21.65-23.23	550-590
Height of rim	i	1.26	32
Distance top edge to centre of overflow hole	j	2.76	70
Distance tub edge to centre of drain hole	k	35.43	900
Diameter of overflow hole	l	2.05	52
Diameter of drain hole	m	2.05	52
Distance foot end of tub edge to centre of foot	n	23.62	600
Distance between the feet	o	23.62	600
Max. width of feet	p	17.91	455
Width of rim (foot end)	s	2.36	60
Distance between centre holes	u	13.07	332
Armrest depth	v	7.09	180
Water volume** in gallons		40.94	
Weight of the enamelled bath tub in lbs		119.05	

Subject to technical alterations and tolerances.
 ** 18.49 gallons displacement on average.

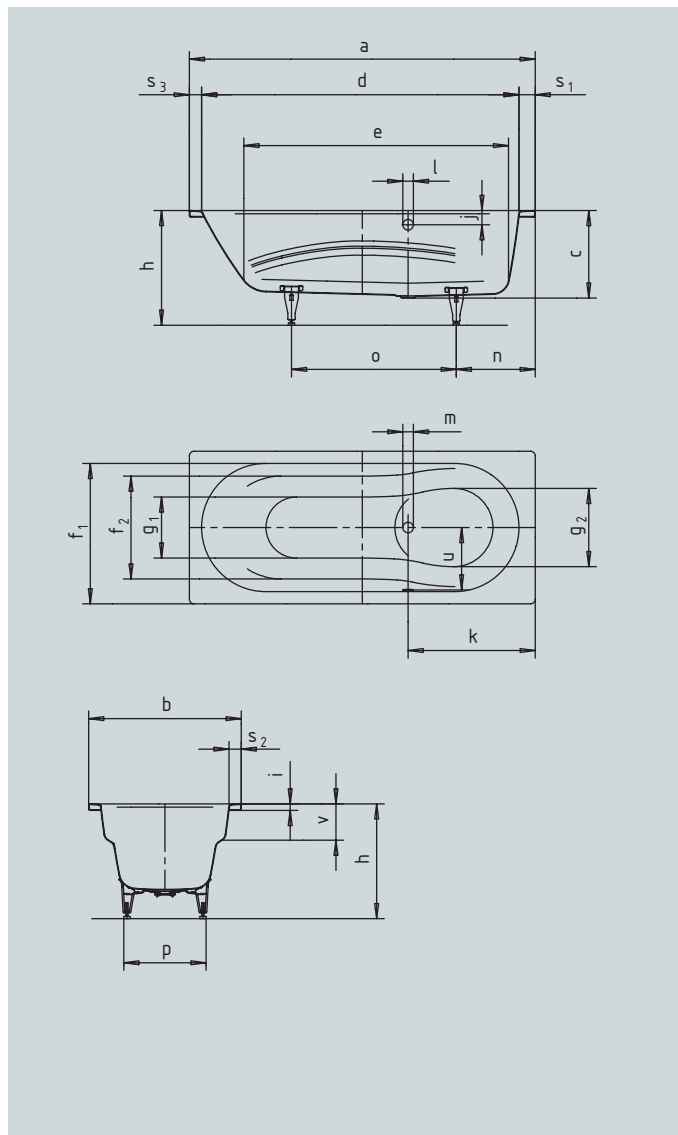
KALDEWEI
 Europe's No. 1 for baths

	Model Order No.	Dimensions inch (cm)	List price			\$
			alpine white	pergamon	black	
VAIO DUO plus ALLROUND pedestal Mod. 5030	950 2330 1400 xxx	70.87 x 31.50 x 16.93 180 x 80 x 43	2,016.00	2,519.00	2,822.00	
Pedestal (required accessory)	Model Order No.					\$
ALLROUND pedestal see page 122	5030 5814 7000 0000					● 93.50/set
Extra charge for easy-clean finish	xxxx xxxx 3xxx					161.50
More information on easy-clean finish can be found on page 122.						

Tile flange kit available, please see page 130.

VAIO SET

- one-seater bathtub with side overflow and integrated arm rests
- combi-bathtub suitable for bathing and showering
- made of Kaldewei steel enamel 3.5 mm



		inch	mm	inch	mm	inch	mm	inch	mm
Model No.		956	956	944	944	954	954	946	946
External length	a	62.99	1600	66.93	1700	66.93	1700	70.87	1800
External width	b	27.56	700	27.56	700	29.53	750	31.50	800
Depth	c	16.93	430	16.93	430	16.93	430	16.93	430
Internal length (top)	d	57.48	1460	57.48	1460	61.42	1560	61.42	1560
Internal length (bottom)	e	47.24	1200	47.24	1200	51.18	1300	51.18	1300
Internal width (top)	f ₁ ; f ₂	22.83; 18.50	580; 470	22.83; 18.50	580; 470	24.80; 19.88	630; 505	24.80; 19.88	630; 505
Internal width (bottom)	g ₁ ; g ₂	10.83; 12.99	420; 475	10.83; 12.99	420; 475	11.81; 15.16	450; 525	17.72; 20.67	450; 525
Height with feet	h	22.05-22.83	560-580			22.05-22.83	560-580	22.05-22.83	560-580
Height of rim	i	1.26	32	1.26	32	1.26	32	1.26	32
Distance top edge to centre of overflow hole	j	2.76	70	2.76	70	2.76	70	2.76	70
Distance tub edge to centre of drain hole	k	22.64	575	24.61	625	24.61	625	26.57	675
Diameter of overflow hole	l	2.05	52	2.05	52	2.05	52	2.05	52
Diameter of drain hole	m	2.05	52	2.05	52	2.05	52	2.05	52
Distance foot end of tub edge to centre of foot	n	17.13	435			17.13	435	19.09	485
Distance between the feet	o	24.61	625			28.54	725	28.54	725
Max. width of feet	p	16.73	425			19.21	488	19.09	485
Width of rim (foot end; lengthwise)	s ₁ ; s ₂ ; s ₃	3.15; 2.36; 2.36	80; 60; 60	5.12; 2.36; 4.33	130; 60; 110	3.15; 2.36; 2.36	80; 60; 60	5.12; 3.35; 4.33	130; 85; 110
Distance between centre holes	u	11.02	280	11.02	280	12.20	310	12.20	310
Armrest depth	v	6.89	175	6.89	175	6.89	175	6.89	175
Water volume** in gallons		25.36				35.39		36.98	
Weight of the enamelled bath tub in lbs		101.41				110.23		121.25	

Subject to technical alterations and tolerances.
 ** 18.49 gallons displacement on average.

KALDEWEI
 Europe's No. 1 for baths

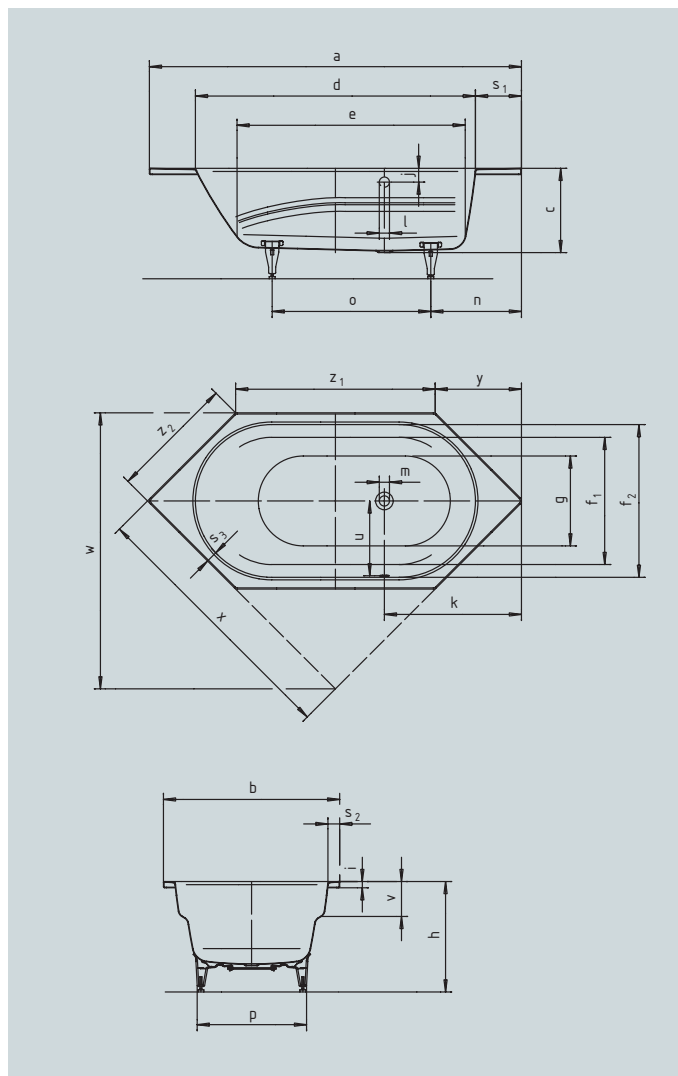
	Model Order No.	Dimensions inch (cm)	List price			\$
			alpine white	pergamon	black	
VAIO SET plus ALLROUND pedestal Mod. 5030 Special model also available with overflow hole located opposite without extra charge	956 2336 1400 xxxx	62.99 x 27.56 x 16.93 160 x 70 x 43	1,583.00	1,978.00	2,216.00	
	944³ 2344 1400 xxxx	66.93 x 27.56 x 16.93 170 x 70 x 43	1,583.00	1,982.00	2,219.00	
	954 2334 1400 xxxx	66.93 x 29.53 x 16.93 170 x 75 x 43	1,583.00	1,978.00	2,216.00	
	946³ 2346 1400 xxxx	70.87 x 31.50 x 16.93 180 x 80 x 43	1,791.00	2,238.00	2,507.00	
Pedestal (required accessory)	Model Order No.					\$
ALLROUND pedestal see page 122	5030 5814 7000 0000					●93.50/set
Extra charge for easy-clean finish	xxxx xxxx 3xxx					161.50
More information on easy-clean finish can be found on page 122.						

Tile flange kit available, please see page 130.

³ Available from April 2009

VAIO 6

- one-seater bathtub with side overflow, generous width and integrated arm rests
- diverse installation possibilities, also corner installation
- made of Kaldewei steel enamel 3.5 mm



		inch	mm
Model No.		958	958
External length	a	74.80	1900
External width	b	35.43	900
Depth	c	16.93	430
Internal length (top)	d	56.30	1430
Internal length (bottom)	e	45.87	1165
Internal width (top)	f ₁ ; f ₂	25.59; 30.71	650; 780
Internal width (bottom)	g	23.62	600
Height with feet	h	21.85-23.03	555-585
Height of rim	i	1.26	32
Distance top edge to centre of overflow hole	j	2.76	70
Distance tub edge to centre of drain hole	k	27.56	700
Diameter of overflow hole	l	2.05	52
Diameter of drain hole	m	2.05	52
Distance foot end of tub edge to centre of foot	n	23.43	595
Distance between the feet	o	20.87	530
Max. width of feet	p	22.64	575
Width of rim (foot end; lengthwise)	s ₁ ; s ₂ ; s ₃	9.25; 2.36; 22.83	235; 60; 58
Distance between centre holes	u	14.96	380
Armrest depth	v	7.01	178
Installation dimension; Side length; Fase	w; x; y	55.47; 53.43; 17.32	1409; 1357; 440
Side length	z ₁ ; z ₂	40.12; 25.04	1019; 636
Water volume** in gallons		38.3	
Weight of the enamelled bath tub in lbs		105.82	

Subject to technical alterations and tolerances.
 ** 18.49 gallons displacement on average.

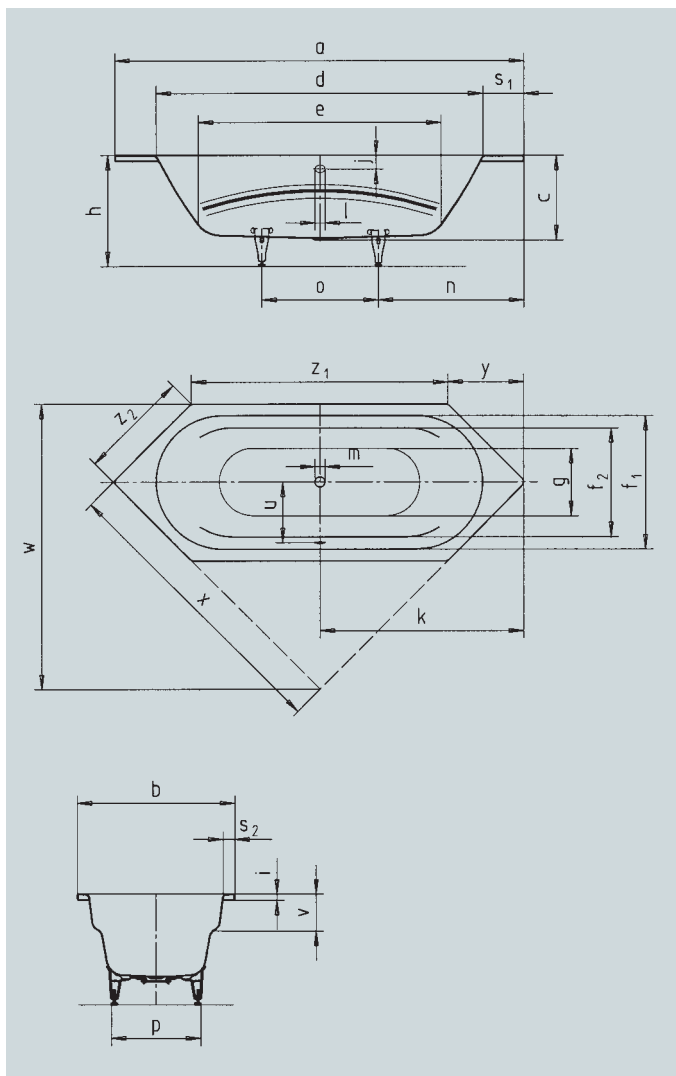
KALDEWEI
 Europe's No. 1 for baths

	Model Order No.	Dimensions inch (cm)	List price			\$
			alpine white	pergamon	black	
VAIO 6 plus special pedestal Mod. 5037 Special model also available with overflow hole located opposite without extra charge	958 2338 1400 xxx	74.80 x 35.43 x 16.93 190 x 90 x 43	2,651.00	3,314.00	3,711.00	
Pedestal (required accessory)	Model Order No.					\$
Special pedestal for VAIO 6	5037 5831 7000 0000					● 107.50/set
Extra charge for easy-clean finish	xxxx xxxx 3xxx					161.50
More information on easy-clean finish can be found on page 122.						

Tile flange kit available, please see page 130.

VAIO DUO 6

- bathing with a friend: two identical back rests and centrally positioned outlet
- with integrated arm rests
- diverse installation possibilities, also corner installation
- made of Kaldewei steel enamel 3.5 mm



		inch	mm
Model No.		952	952
External length	a	82.68	2100
External width	b	31.50	800
Depth	c	16.93	430
Internal length (top)	d	66.14	1680
Internal length (bottom)	e	49.13	1248
Internal width (top)	f ₁ ; f ₂	26.77; 21.85	680; 555
Internal width (bottom)	g	19.53	496
Height with feet	h	21.65-23.23	550-590
Height of rim	i	1.26	32
Distance top edge to centre of overflow hole	j	2.76	70
Distance tub edge to centre of drain hole	k	41.34	1050
Diameter of overflow hole	l	2.05	52
Diameter of drain hole	m	2.05	52
Distance foot end of tub edge to centre of foot	n	29.53	750
Distance between the feet	o	23.62	600
Max. width of feet	p	17.91	455
Width of rim (foot end; lengthwise)	s ₁ ; s ₂	8.27; 2.36	210; 60
Distance between centre holes	u	13.07	332
Armrest depth	v	7.09	180
Installation dimension; Side length; Fase	w; x; y	57.48; 59.02; 15.35	1460; 1499; 390
Side length	z ₁ ; z ₂	51.97; 22.28	1320; 566
Water volume** in gallons		40.94	
Weight of the enamelled bath tub in lbs		112.44	

Subject to technical alterations and tolerances.
 ** 18.49 gallons displacement on average.

KALDEWEI
 Europe's No. 1 for baths

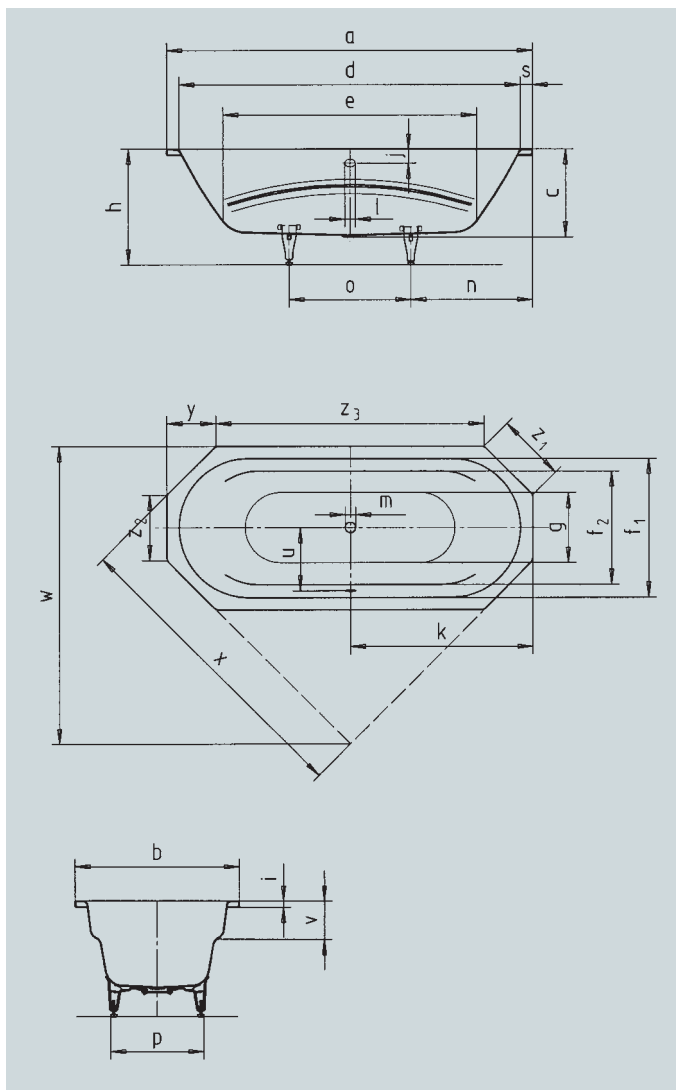
	Model Order No.	Dimensions inch (cm)	List price			\$
			alpine white	pergamon	black	
VAIO DUO 6 plus ALLROUND pedestal Mod. 5030	952 2332 1400 xxx	82.68 x 31.50 x 16.93 210 x 80 x 43	2,793.00	3,491.00	3,910.00	
Pedestal (required accessory)	Model Order No.					\$
ALLROUND pedestal see page 122	5030 5814 7000 0000					● 93.50/set
Extra charge for easy-clean finish	xxxx xxxx 3xxx					161.50

More information on easy-clean finish can be found on page 122.

Tile flange kit available, please see page 130.

VAIO DUO 8

- bathing with a friend: two identical back rests and centrally positioned outlet
- with integrated arm rests
- diverse installation possibilities, also corner installation
- made of Kaldewei steel enamel 3.5 mm



		inch	mm
Model No.		953	953
External length	a	70.87	1800
External width	b	31.50	800
Depth	c	16.93	430
Internal length (top)	d	66.14	1680
Internal length (bottom)	e	49.13	1248
Internal width (top)	f ₁ ; f ₂	26.77; 21.85	680; 555
Internal width (bottom)	g	19.53	496
Height with feet	h	21.65-23.23	550-590
Height of rim	i	1.26	32
Distance top edge to centre of overflow hole	j	2.76	70
Distance tub edge to centre of drain hole	k	35.43	900
Diameter of overflow hole	l	2.05	52
Diameter of drain hole	m	2.05	52
Distance foot end of tub edge to centre of foot	n	23.62	600
Distance between the feet	o	23.62	600
Max. width of feet	p	17.91	455
Width of rim (foot end)	s	2.36	60
Distance between centre holes	u	13.07	332
Armrest depth	v	7.09	180
Installation dimension; Side length; Fase	w; x; y	57.48; 59.02; 9.45	1460; 1499; 240
Side length	z ₁ ; z ₂ ; z ₃	13.39; 12.60; 51.97	340; 320; 1320
Water volume** in gallons		40.94	
Weight of the enamelled bath tub in lbs		108.03	

Subject to technical alterations and tolerances.
 ** 18.49 gallons displacement on average.

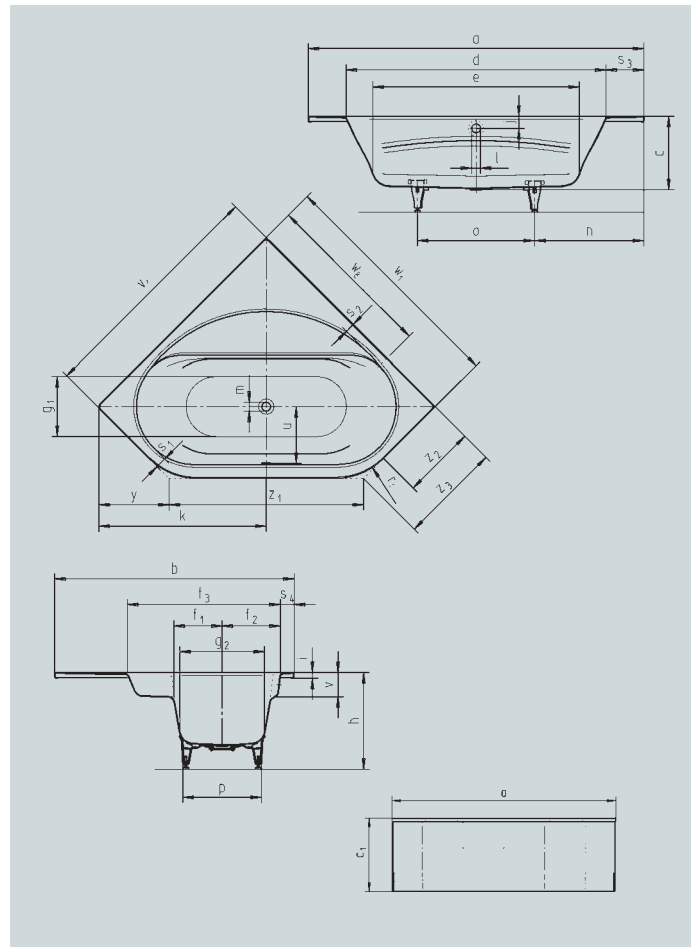
KALDEWEI
 Europe's No. 1 for baths

	Model Order No.	Dimensions inch (cm)	List price			\$
			alpine white	pergamon	black	
VAIO DUO 8 plus ALLROUND pedestal Mod. 5030	953 2333 1400 xxx	70.87 x 31.50 x 16.93 180 x 80 x 43	2,940.00	3,674.00	4,115.00	
Pedestal (required accessory)	Model Order No.					\$
ALLROUND pedestal see page 122	5030 5814 7000 0000					● 93.50/set
Extra charge for easy-clean finish	xxxx xxxx 3xxx					161.50
More information on easy-clean finish can be found on page 122.						

Tile flange kit available, please see page 130.

VAIO DUO 3 VAIO DUO 3 WITH MOULDED PANEL

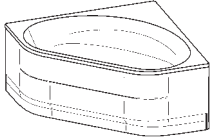
- attractive corner bathtub with distinct arm rest which can also be used as a seat
- bathing with a friend: two identical back rests and centrally positioned outlet
- made of Kaldewei steel enamel 3.5 mm
- also available with panel



		inch	mm	inch	mm
Model No.		962	962	962-7	962-7
External length	a	77.20	1961	77.20	1961
External width	b	55.16	1401	55.16	1401
Overall height with panel	c ₁	–	–	22.05	560
Depth	c	16.93	430	16.93	430
Internal length (top)	d	59.92	1522	59.92	1522
Internal length (bottom)	e	47.48	1206	47.48	1206
Internal width (top) bathing area; incl. armrest	f ₁ ; f ₂ ; f ₃	11.10; 13.39; 33.66	282; 340; 855	11.10; 13.39; 33.66	282; 340; 855
Internal width (bottom)	g ₁ ; g ₂	13.90; 19.53	353; 496	13.90; 19.53	353; 496
Height with feet	h	21.65-23.23	550-590	21.65-23.23	550-590
Height of rim	i	1.26	32	1.26	32
Distance top edge to centre of overflow hole	j	2.76	70	2.76	70
Distance tub edge to centre of drain hole	k	38.58	980	38.58	980
Diameter of overflow hole	l	2.05	52	2.05	52
Diameter of drain hole	m	2.05	52	2.05	52
Distance foot end of tub edge to centre of foot	n	26.79	680,5	26.79	680,5
Distance between the feet	o	23.62	600	23.62	600
Max. width of feet	p	17.91	455	17.91	455
Radius	r ₁	15.75	400	15.75	400
Width of rim (foot end; lengthwise)	s ₁ ; s ₂ ; s ₃ ; s ₄	23.39; 2.17; 8.62; 3.15	62; 55; 219; 80	23.39; 2.17; 8.62; 3.15	62; 55; 219; 80
Distance between centre holes	u	13.07	332	13.07	332
Armrest depth	v	5.51	140	5.51	140
Side length	v ₁	55.12	1400	55.12	1400
Side width	w ₁	55.12	1400	55.12	1400
Narrowest point (for wall inlet fittings)	w ₈	39.37	1000	39.37	1000
Fase	y	16.16	410,5	16.16	410,5
Side length	z ₁ ; z ₂ ; z ₃	44.88; 16.85; 23.39	1140; 428; 594	44.88; 16.85; 23.39	1140; 428; 594
Water volume** in gallons		33.01		33.01	
Weight of the enamelled bath tub in lbs		116.85		–	

Subject to technical alterations and tolerances.
** 18.49 gallons displacement on average.

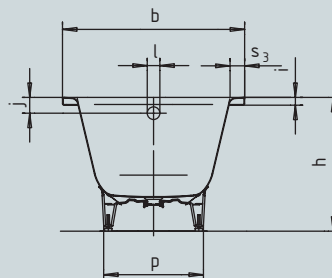
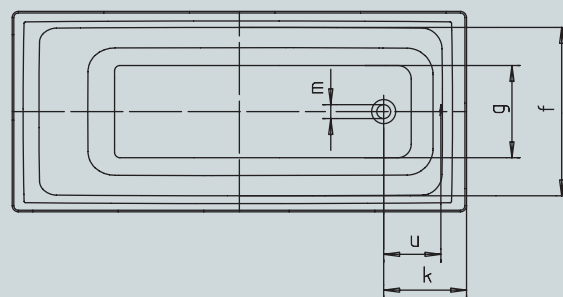
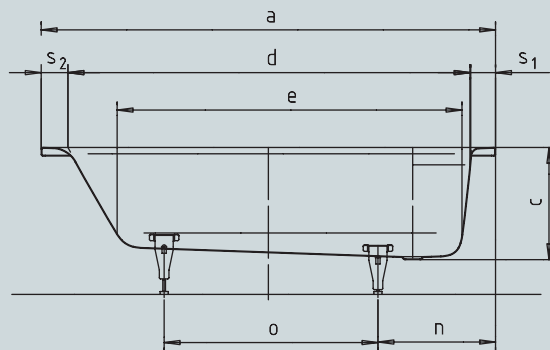
KALDEWEI
Europe's No. 1 for baths

	Model Order No.	Dimensions inch (cm)	List price			\$
			alpine white	pergamon	black	
VAIO DUO 3 plus special pedestal Mod. 5037 The 962 model cannot be retrofitted with panel	962 2342 1400 xxxx	55.12 x 55.12 x 16.93 140 x 140 x 43	4,108.00	5,135.00	5,751.00	
VAIO DUO 3 with panel** incl. special pedestal Mod. 5037 	962-7** 2342 1402 xxxx	55.12 x 55.12 x 16.93 140 x 140 x 43	6,391.00	7,989.00		
** Panel colors: alpine white, pergamon (color code see page 132).						
Pedestal (required accessory)	Model Order No.					\$
Special pedestal for VAIO DUO 3	5037 5831 7000 0000					● 107.50/set
Extra charge for easy-clean finish	xxxx xxxx 3xxx					161.50

Tile flange kit available, please see page 130.

PURO

- straightlined, purist design
- one-seater bathtub with outlet at foot end
- classic four-cornered model
- made of Kaldewei steel enamel 3.5 mm



		inch	mm	inch	mm	inch	mm	inch	mm	inch	mm
Model No.		683	683	687	687	652	652	691	691	653	653
External length	a	62.99	1600	66.93	1700	66.93	1700	66.93	1700	70.87	1800
External width	b	27.56	700	27.56	700	29.53	750	31.50	800	31.50	800
Depth	c	16.54	420	16.54	420	16.54	420	16.54	420	16.54	420
Internal length (top)	d	55.51	1410	59.45	1510	59.45	1510	59.45	1510	63.39	1610
Internal length (bottom)	e	46.46	1180	50.39	1280	50.39	1280	50.39	1280	54.33	1380
Internal width (top)	f	22.83	580	22.83	580	24.41	630	26.77	630	26.38	680
Internal width (bottom)	g	16.14	410	16.14	410	13.58	460	18.11	460	15.55	510
Height with feet	h	21.73-22.52	552-572			21.81-22.36	554-568			21.77-22.17	553-563
Height of rim	i	1.26	32	1.26	32	1.26	32	1.26	32	1.26	32
Distance top edge to centre of overflow hole	j	2.56	65	2.56	65	2.56	65	2.56	65	2.56	65
Distance tub edge (foot) to centre of drain hole	k	12.20	310	12.20	310	12.20	310	12.20	310	12.20	310
Diameter of overflow hole	l	2.05	52	2.05	52	2.05	52	2.05	52	2.05	52
Diameter of drain hole	m	2.05	52	2.05	52	2.05	52	2.05	52	2.05	52
Distance foot end of tub edge to centre of foot	n	17.13	435			17.52	445			18.11	460
Distance between the feet	o	27.76	705			29.53	750			32.28	820
Max. width of feet	p	16.17	410			18.50	470			20.47	520
Width of rim	s ₁ ; s ₂ ; s ₃	3.54; 3.94; 8.43	90; 100; 60	3.54; 3.94; 2.36	90; 100; 60	3.54; 3.94; 2.36	90; 100; 60	3.54; 3.94; 3.35	90; 100; 85	3.54; 3.94; 3.35	90; 100; 60
Distance between centre holes	u	8.43	214	8.43	214	23.39	214	8.43	214	23.39	214
Water volume** in gallons		27.73				36.18				43.58	
Weight of the enamelled bath tub in lbs		101.41				110.23				119.05	

Subject to technical alterations and tolerances.
 ** 18.49 gallons displacement on average.

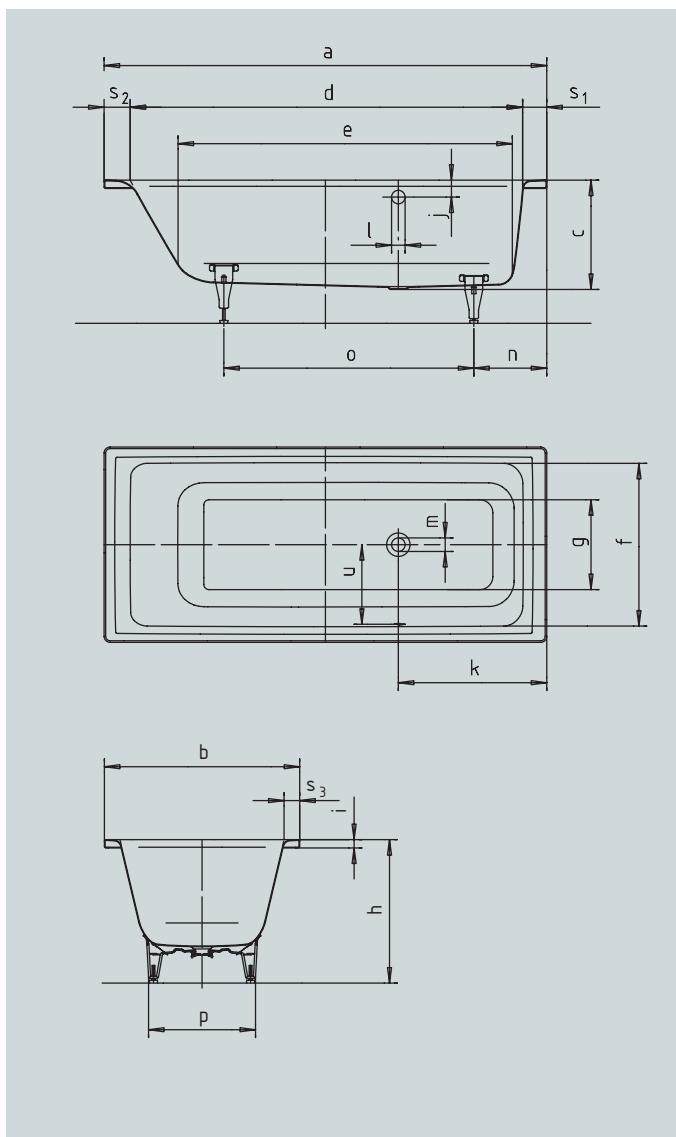
KALDEWEI
 Europe's No. 1 for baths

	Model Order No.	Dimensions inch (cm)	List price			\$
			alpine white	pergamon	black	
PURO plus special pedestal Mod. 5037	683 2583 1400 xxxx	62.99 x 27.56 x 16.54 160 x 70 x 42	1,605.00	2,006.00	2,247.00	
	687 2587 1400 xxxx	66.93 x 27.56 x 16.54 170 x 70 x 42	1,605.00	2,006.00	2,247.00	
	652 2562 1400 xxxx	66.93 x 29.53 x 16.54 170 x 75 x 42	1,541.00	1,927.00	2,158.00	
	691 2591 1400 xxxx	66.93 x 31.50 x 16.54 170 x 80 x 42	1,649.00	2,061.00	2,308.00	
	653 2563 1400 xxxx	70.87 x 31.50 x 16.54 180 x 80 x 42	1,671.00	2,088.00	2,339.00	
Pedestal (required accessory)	Model Order No.					\$
Special pedestal for PURO	5037 5831 7000 0000					● 107.50/set
Extra charge for easy-clean finish	xxxx xxxx 3xxx					161.50
More information on easy-clean finish can be found on page 122.						

Tile flange kit available, please see page 130.

PURO WITH SIDE OVERFLOW

- straightlined, purist design
- one-seater bathtub with side overflow
- classic four-cornered model
- made of Kaldewei steel enamel 3.5 mm



		inch	mm	inch	mm	inch	mm	inch	mm	inch	mm
Model No.		684	684	688	688	656	656	692	692	657	657
External length	a	62.99	1600	66.93	1700	66.93	1700	66.93	1700	70.87	1800
External width	b	27.56	700	27.56	700	29.53	750	31.50	800	31.50	800
Depth	c	16.54	420	16.54	420	16.54	420	16.54	420	16.54	420
Internal length (top)	d	55.51	1410	59.45	1510	59.45	1510	59.45	1510	63.39	1610
Internal length (bottom)	e	46.46	1180	50.39	1280	50.39	1280	50.39	1280	54.33	1380
Internal width (top)	f	22.83	580	22.83	580	24.41	630	26.77	630	26.38	680
Internal width (bottom)	g	16.14	410	16.14	410	13.58	460	18.11	460	15.55	510
Height with feet	h	21.73-22.52	552-572			21.77-22.56	553-573			21.69-22.48	551-571
Height of rim	i	1.26	32	1.26	32	1.26	32	1.26	32	1.26	32
Distance top edge to centre of overflow hole	j	2.76	70	2.76	70	2.76	70	2.76	70	2.76	70
Distance tub edge to centre of drain hole	k	22.44	570	22.44	570	22.44	570	22.44	570	22.44	570
Diameter of overflow hole	l	2.05	52	2.05	52	2.05	52	2.05	52	2.05	52
Diameter of drain hole	m	2.05	52	2.05	52	2.05	52	2.05	52	2.05	52
Distance foot end of tub edge to centre of foot	n	17.13	435			17.52	445			18.11	460
Distance between the feet	o	27.76	705			29.53	750			32.28	820
Max. width of feet	p	16.14	410			17.52	445			19.09	485
Width of rim (foot end)	s ₁ ; s ₂ ; s ₃	3.54; 3.94; 2.36	90; 100; 60	3.54; 3.94; 2.36	90; 100; 60	3.54; 3.94	90; 100; 60	3.54; 3.94; 3.35	90; 100; 85	3.54; 3.94	90; 100; 60
Distance between centre holes	u	10.83	275	10.83	275	12.01	300	11.81	300	12.99	325
Water volume** in gallons		27.73				36.18		36.18		43.58	
Weight of the enamelled bath tub in lbs		101.41				114.64		110.23		119.05	

Subject to technical alterations and tolerances.
** 18.49 gallons displacement on average.

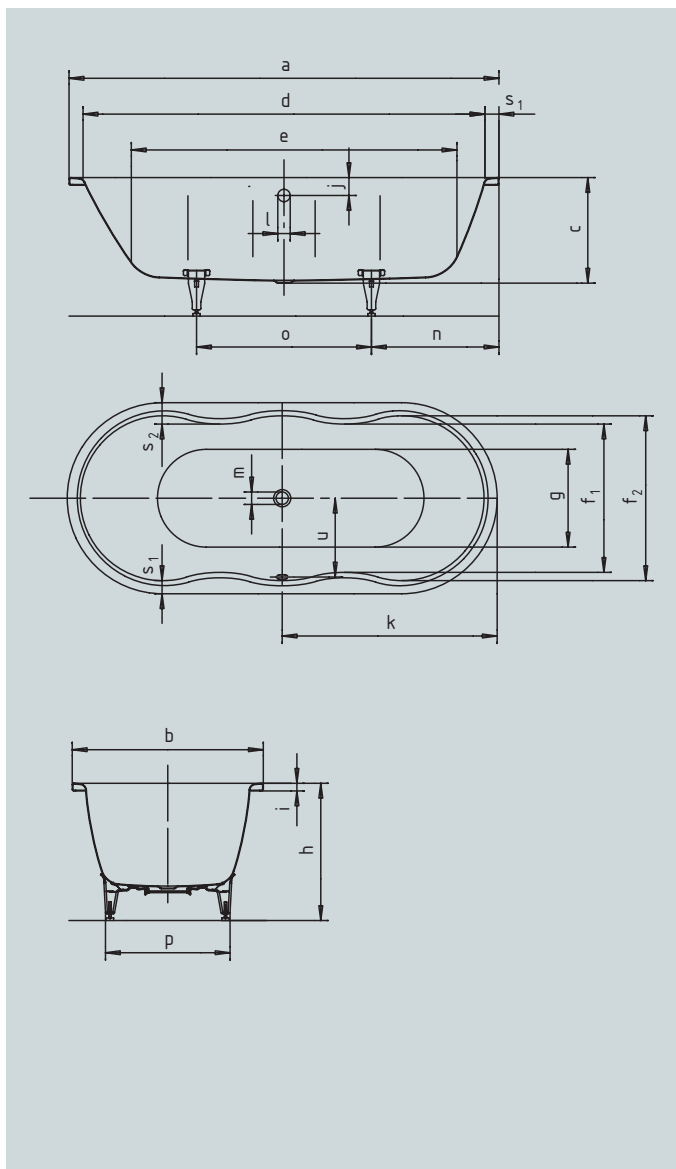
KALDEWEI
Europe's No. 1 for baths

	Model Order No.	Dimensions inch (cm)	List price			\$
			alpine white	pergamon	black	
PURO with side overflow plus special pedestal Mod. 5037 Special model also available with overflow hole located opposite without extra charge.	684 2584 1400 xxxx	62.99 x 27.56 x 16.54 160 x 70 x 42	1,791.00	2,238.00	2,507.00	
	688 2588 1400 xxxx	66.93 x 27.56 x 16.54 170 x 70 x 42	1,791.00	2,238.00	2,507.00	
	656 2566 1400 xxxx	66.93 x 29.53 x 16.54 170 x 75 x 42	1,727.00	2,159.00	2,418.00	
	692 2592 1400 xxxx	66.93 x 31.50 x 16.54 170 x 80 x 42	1,835.00	2,293.00	2,568.00	
	657 2567 1400 xxxx	70.87 x 31.50 x 16.54 180 x 80 x 42	1,859.00	2,324.00	2,603.00	
Pedestal (required accessory)	Model Order No.					\$
Special pedestal for PURO	5037 5831 7000 0000					● 107.50/set
Extra charge for easy-clean finish	xxxx xxxx 3xxx					161.50
More information on easy-clean finish can be found on page 122.						

Tile flange kit available, please see page 130.

NOVOLA DUO OVAL

- with its curved interior contours, this bathtub will become an eye-catcher in every bathroom
- bathing with a friend: two identical back rests and centrally positioned outlet
- made of Kaldewei steel enamel 3.5 mm



		inch	mm
Model No.		260	260
External length	a	70.87	1800
External width	b	31.50	800
Depth	c	17.32	440
Internal length (top)	d	66.54	1690
Internal length (bottom)	e	53.54	1360
Internal width (top)	f ₁ ; f ₂	24.41; 27.17	620; 690
Internal width (bottom)	g	18.11	460
Height with feet	h	22.24-23.23	565-590
Height of rim	i	1.26	32
Distance top edge to centre of overflow hole	j	2.64	67
Distance tub edge to centre of drain hole	k	35.43	900
Diameter of overflow hole	l	2.05	52
Diameter of drain hole	m	2.05	52
Distance foot end of tub edge to centre of foot	n	18.90	480
Distance between the feet	o	30.71	780
Max. width of feet	p	19.69	500
Width of rim	s ₁ ; s ₂	2.17; 3.54	55; 90
Distance between centre holes	u	13.27	337
Water volume** in gallons		52.03	
Weight of the enamelled bath tub in lbs		116.85	

Subject to technical alterations and tolerances.
 ** 18.49 gallons displacement on average.

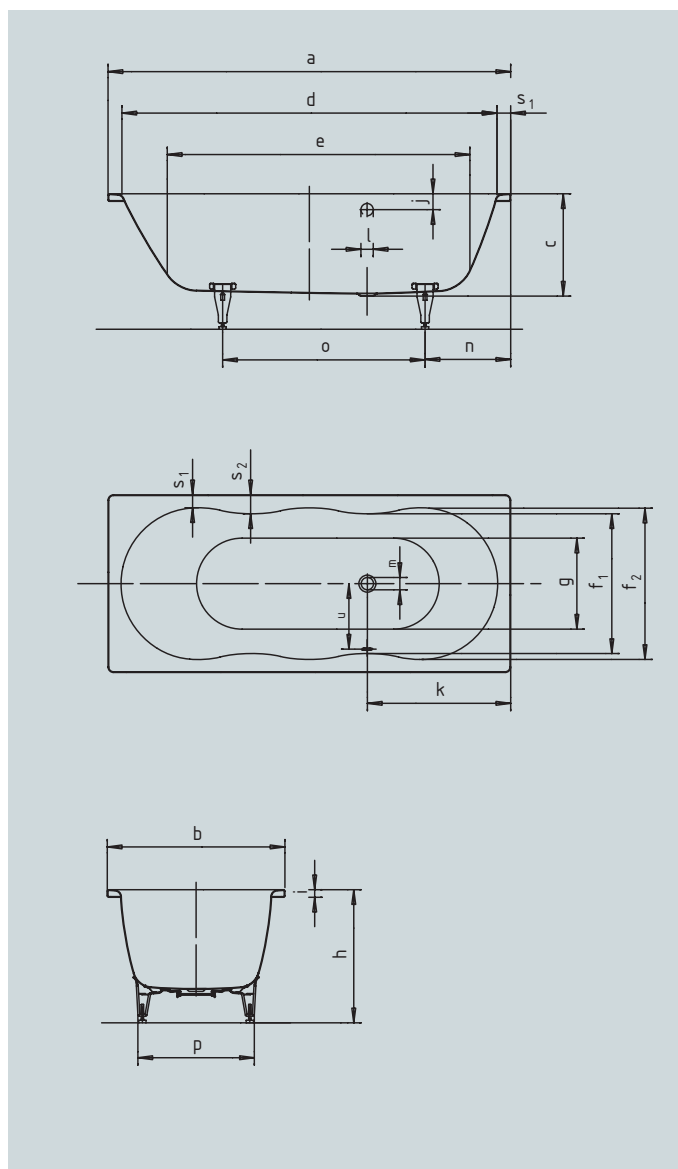
KALDEWEI
 Europe's No. 1 for baths

	Model Order No.	Dimensions inch (cm)	List price			\$
			alpine white	pergamon	black	
NOVOLA DUO OVAL plus ALLROUND pedestal Mod. 5030 Special model also available with overflow hole located opposite without extra charge	260 2428 1400 xxxx	70.87 x 31.50 x 17.32 180 x 80 x 44	2,465.00	3,081.00	3,451.00	
Pedestal (required accessory)	Model Order No.					\$
ALLROUND pedestal see page 122	5030 5814 7000 0000					●93.50/set
Extra charge for easy-clean finish	xxxx xxxx 3xxx					161.50
More information on easy-clean finish can be found on page 122.						

Tile flange kit available, please see page 130.

NOVOLA

- with its curved interior contours, this bathtub will become an eye-catcher in every bathroom
- one-seater bathtub with side overflow
- made of Kaldewei steel enamel 3.5 mm



		inch	mm
Model No.		252	252
External length	a	66.93	1700
External width	b	29.53	750
Depth	c	17.32	440
Internal length (top)	d	62.60	1590
Internal length (bottom)	e	50.20	1275
Internal width (top)	f ₁ ; f ₂	23.23; 25.20	590; 640
Internal width (bottom)	g	17.32	440
Height with feet	h	22.05-22.64	560-575
Height of rim	i	1.26	32
Distance top edge to centre of overflow hole	j	2.64	67
Distance tub edge to centre of drain hole	k	23.82	605
Diameter of overflow hole	l	2.05	52
Diameter of drain hole	m	2.05	52
Distance foot end of tub edge to centre of foot	n	19.29	490
Distance between the feet	o	26.97	685
Max. width of feet	p	18.90	480
Width of rim	s ₁ ; s ₂	2.17; 3.15	55; 80
Distance between centre holes	u	12.32	313
Water volume** in gallons		40.41	
Weight of the enamelled bath tub in lbs		112.44	

Subject to technical alterations and tolerances.
 ** 18.49 gallons displacement on average.

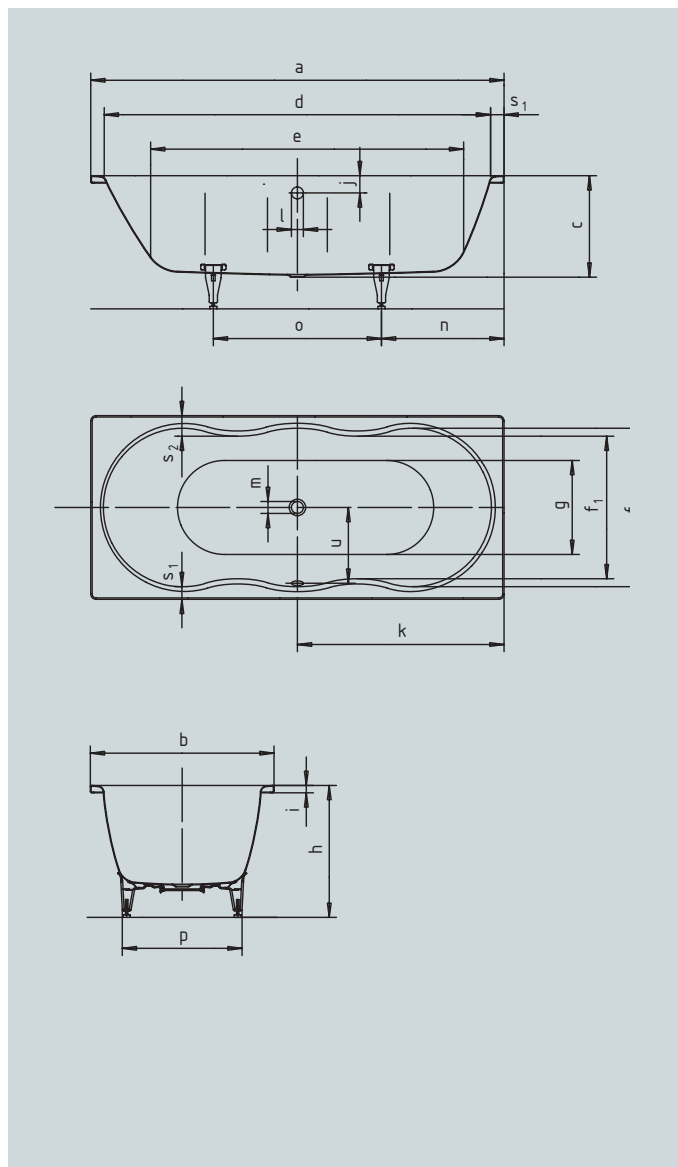
KALDEWEI
 Europe's No. 1 for baths

	Model Order No.	Dimensions inch (cm)	List price			\$
			alpine white	pergamon	black	
NOVOLA plus ALLROUND pedestal Mod. 5030 Special model also available with overflow hole located opposite without extra charge	252 2420 1400 xxxx	66.93 x 29.53 x 17.32 170 x 75 x 44	1,593.00	1,991.00	2,230.00	
Pedestal (required accessory)	Model Order No.					
ALLROUND pedestal see page 122	5030 5814 7000 0000					●93.50/set
Extra charge for easy-clean finish	xxxx xxxx 3xxx					161.50
More information on easy-clean finish can be found on page 122.						

Tile flange kit available, please see page 130.

NOVOLA DUO

- with its curved interior contours, this bathtub will become an eye-catcher in every bathroom
- bathing with a friend: two identical back rests and centrally positioned outlet
- made of Kaldewei steel enamel 3.5 mm



		inch	mm
Model No.		256	256
External length	a	70.87	1800
External width	b	31.50	800
Depth	c	17.32	440
Internal length (top)	d	66.54	1690
Internal length (bottom)	e	53.54	1360
Internal width (top)	f ₁ ; f ₂	24.41; 27.17	620; 690
Internal width (bottom)	g	18.11	460
Height with feet	h	22.24-23.23	565-590
Height of rim	i	1.26	32
Distance top edge to centre of overflow hole	j	2.64	67
Distance tub edge to centre of drain hole	k	35.43	900
Diameter of overflow hole	l	2.05	52
Diameter of drain hole	m	2.05	52
Distance foot end of tub edge to centre of foot	n	18.90	480
Distance between the feet	o	30.71	780
Max. width of feet	p	19.69	500
Width of rim	s ₁ ; s ₂	2.17; 3.54	55; 90
Distance between centre holes	u	13.27	337
Water volume** in gallons		52.03	
Weight of the enamelled bath tub in lbs		123.46	

Subject to technical alterations and tolerances.
 ** 18.49 gallons displacement on average.

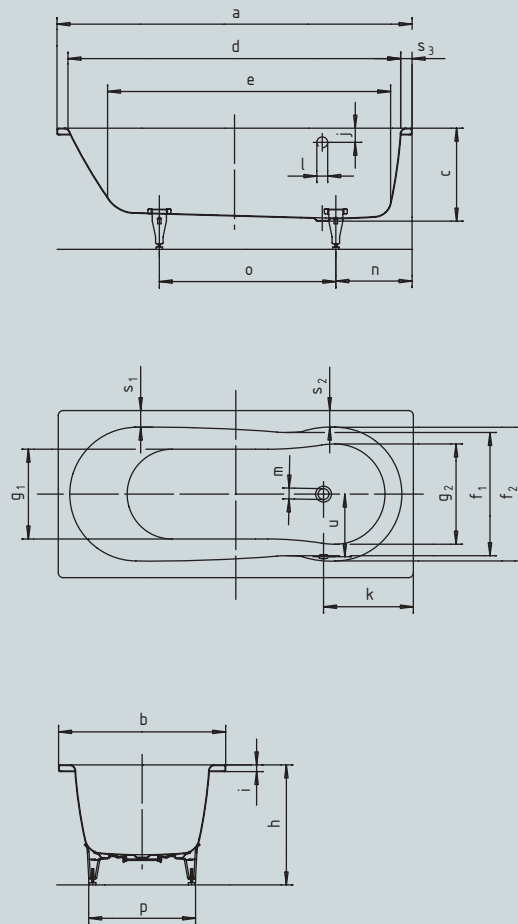
KALDEWEI
 Europe's No. 1 for baths

	Model Order No.	Dimensions inch (cm)	List price			\$
			alpine white	pergamon	black	
NOVOLA DUO plus ALLROUND pedestal Mod. 5030 Special model also available with overflow hole located opposite without extra charge	256 2422 1400 xxxx	70.87 x 31.50 x 17.32 180 x 80 x 44	1,967.00	2,458.00	2,753.00	
Pedestal (required accessory)	Model Order No.					\$
ALLROUND pedestal see page 122	5030 5814 7000 0000					●93.50/set
Extra charge for easy-clean finish	xxxx xxxx 3xxx					161.50
More information on easy-clean finish can be found on page 122.						

Tile flange kit available, please see page 130.

NOVOLA SET

- one-seater bathtub with side overflow
- combi-bathtub suitable for bathing and showering
- made of Kaldewei steel enamel 3.5 mm



Model No.		261	261
External length	a	66.93	1700
External width	b	31.50	800
Depth	c	17.32	440
Internal length (top)	d	62.60	1590
Internal length (bottom)	e	53.35	1355
Internal width (top)	f ₁ ; f ₂	23.23; 25.20	590; 640
Internal width (bottom)	g ₁ ; g ₂	16.54; 18.50	420; 470
Height with feet	h	22.24-23.23	565-590
Height of rim	i	1.26	32
Distance top edge to centre of overflow hole	j	2.64	67
Distance tub edge to centre of drain hole	k	16.73	425
Diameter of overflow hole	l	2.05	52
Diameter of drain hole	m	2.05	52
Distance foot end of tub edge to centre of foot	n	14.37	365
Distance between the feet	o	31.50	800
Max. width of feet	p	18.50	470
Width of rim	s ₁ ; s ₂ ; s ₃	3.15; 3.15; 2.17	80; 80; 55
Distance between centre holes	u	12.40	315
Water volume** in gallons		40.94	
Weight of the enamelled bath tub in lbs		121.25	

Subject to technical alterations and tolerances.
 ** 18.49 gallons displacement on average.

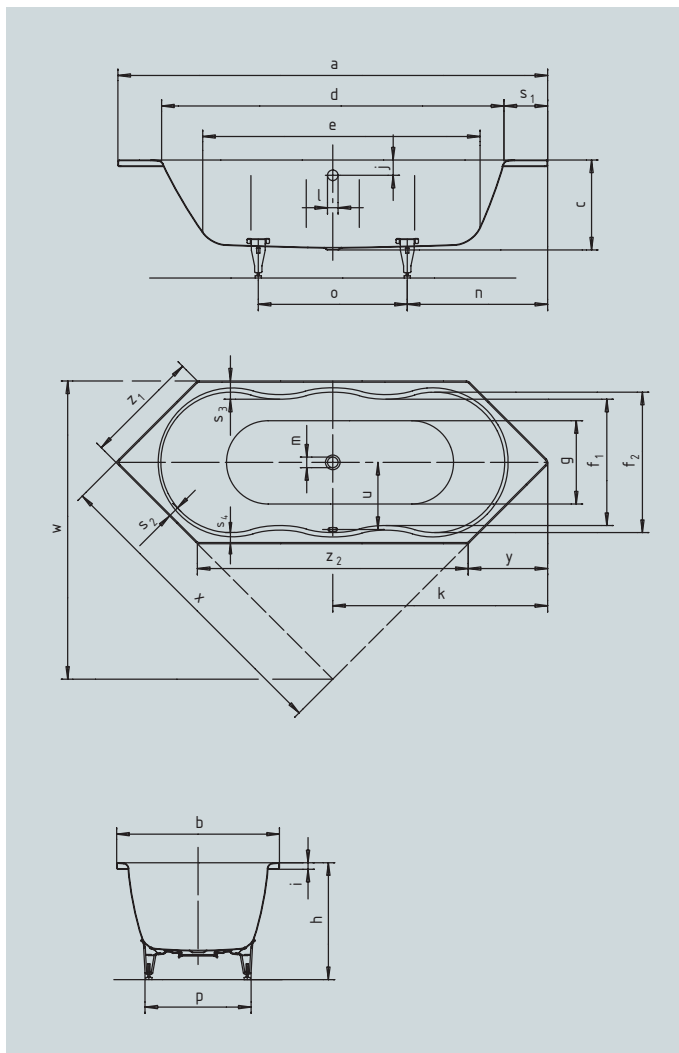
KALDEWEI
 Europe's No. 1 for baths

	Model Order No.	Dimensions inch (cm)	List price			\$
			alpine white	pergamon	black	
NOVOLA SET plus ALLROUND pedestal Mod. 5030 Special model also available with overflow hole located opposite without extra charge	261 2429 1400 xxxx	66.93 x 31.50 x 17.32 170 x 80 x 44	1,534.00	1,917.00	2,147.00	
Pedestal (required accessory)	Model Order No.					\$
ALLROUND pedestal see page 122	5030 5814 7000 0000					●93.50/set
Extra charge for easy-clean finish	xxxx xxxx 3xxx					161.50
More information on easy-clean finish can be found on page 122.						

Tile flange kit available, please see page 130.

NOVOLA DUO 6

- with its curved interior contours, this bathtub will become an eye-catcher in every bathroom
- bathing with a friend: two identical back rests and centrally positioned outlet
- diverse installation possibilities, also corner installation
- made of Kaldewei steel enamel 3.5 mm



		inch	mm
Model No.		254	254
External length	a	82.68	2100
External width	b	31.50	800
Depth	c	17.32	440
Internal length (top)	d	66.38	1686
Internal length (bottom)	e	53.68	1368
Internal width (top)	f ₁ ; f ₂	24.17; 26.77	614; 680
Internal width (bottom)	g	16.61	422
Height with feet	h	22.24-23.23	565-590
Height of rim	i	1.26	32
Distance top edge to centre of overflow hole	j	2.76	70
Distance tub edge to centre of drain hole	k	41.34	1050
Diameter of overflow hole	l	2.05	52
Diameter of drain hole	m	2.05	52
Distance foot end of tub edge to centre of foot	n	25.20	640
Distance between the feet	o	29.92	760
Max. width of feet	p	19.69	500
Width of rim	S ₁ ; S ₂ ; S ₃ ; S ₄	8.15; 2.36; 3.54; 2.36	207; 60; 90; 60
Distance between centre holes	u	13.31	338
Installation dimension	w	57.48	1460
Side length	x	59.02	1499
Fase	y	15.35	390
Side length	Z ₁ ; Z ₂	22.24; 51.97	565; 1320
Water volume** in gallons		52.03	
Weight of the enamelled bath tub in lbs		121.25	

Subject to technical alterations and tolerances.
 ** 18.49 gallons displacement on average.

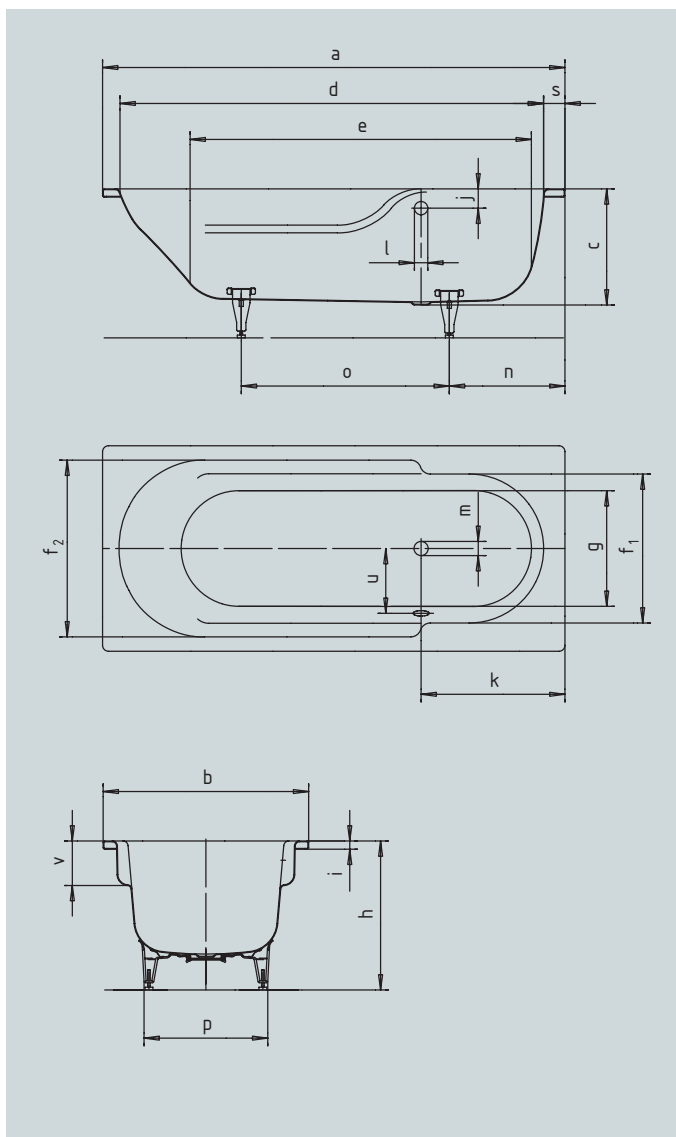
KALDEWEI
 Europe's No. 1 for baths

	Model Order No.	Dimensions inch (cm)	List price			\$
			alpine white	pergamon	black	
NOVOLA DUO 6 plus ALLROUND pedestal Mod. 5030 Special model also available with overflow hole located opposite without extra charge	254 2424 1400 xxxx	82.68 x 31.50 x 17.32 210 x 80 x 44	2,754.00	3,442.00	3,855.00	
Pedestal (required accessory)	Model Order No.					\$
ALLROUND pedestal see page 122	5030 5814 7000 0000					● 93.50/set
Extra charge for easy-clean finish	xxxx xxxx 3xxx					161.50
More information on easy-clean finish can be found on page 122.						

Tile flange kit available, please see page 130.

MONDO

- the curvature of the interior contours provides lots of room for the upper part of the body
- wide arm rests for optimum bathing comfort
- made of Kaldewei steel enamel 3.5 mm
- classic four-cornered model



		inch	mm	inch	mm
Model No.		700	700	710	710
External length	a	66.93	1700	70.87	1800
External width	b	29.53	750	31.50	800
Depth	c	17.52	445	17.52	445
Internal length (top)	d	61.42	1560	64.96	1650
Internal length (bottom)	e	49.21	1250	52.76	1340
Internal width (top)	f ₁ ; f ₂	20.87; 25.00	530; 635	22.83; 27.17	580; 690
Internal width (bottom)	g	15.75	400	17.72	450
Height with feet	h	22.68-23.66	576-601	22.68-23.66	576-601
Height of rim	i	1.26	32	1.26	32
Distance top edge to centre of overflow hole	j	2.95	75	2.95	75
Distance tub edge to centre of drain hole	k	20.67	525	22.24	565
Diameter of overflow hole	l	2.05	52	2.05	52
Diameter of drain hole	m	2.05	52	2.05	52
Distance foot end of tub edge to centre of foot	n	16.93	430	17.72	450
Distance between the feet	o	27.95	710	31.89	810
Max. width of feet	p	17.32	440	18.90	480
Width of rim (foot end)	s	3.15	80	3.15	80
Distance between centre holes	u	10.24	260	11.22	285
Armrest depth	v	6.69	170	6.69	170
Water volume** in gallons		34.33		47.01	
Weight of the enamelled bath tub in lbs		112.44		125.66	

Subject to technical alterations and tolerances.
 ** 18.49 gallons displacement on average.

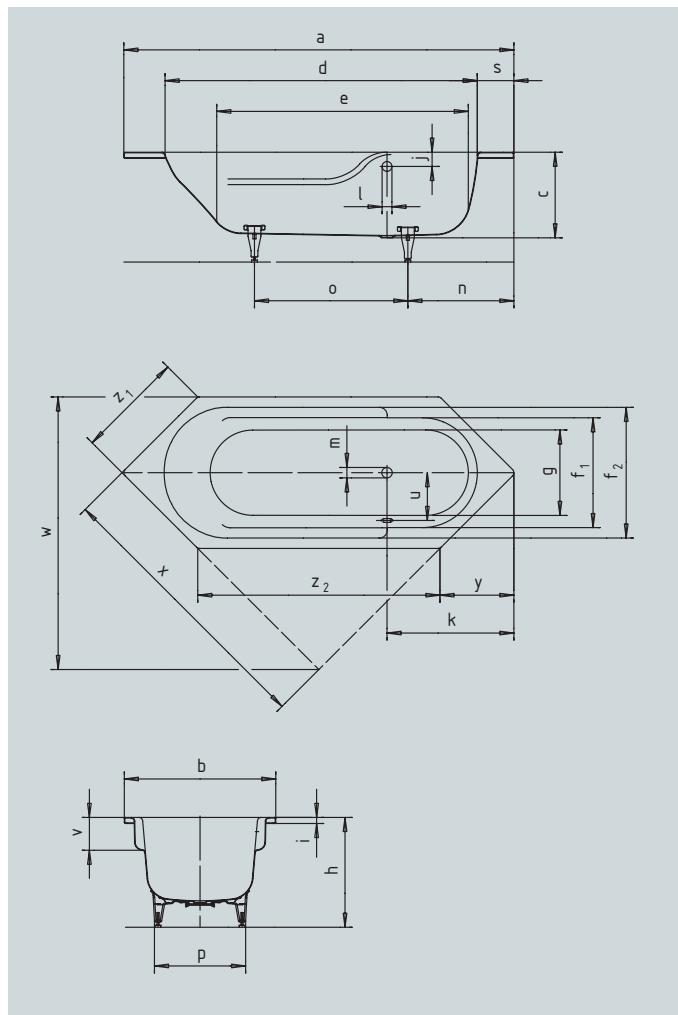
KALDEWEI
 Europe's No. 1 for baths

	Model Order No.	Dimensions inch (cm)	List price			\$
			alpine white	pergamon	black	
MONDO plus ALLROUND pedestal Mod. 5030 Special model also available with overflow hole located opposite without extra charge	700 2215 1400 xxxx	66.93 x 29.53 x 17.32 170 x 75 x 44	2,201.00	2,752.00	3,082.00	
	710 2217 1400 xxxx	70.87 x 31.50 x 17.32 180 x 80 x 44	2,632.00	3,289.00	3,684.00	
Pedestal (required accessory)	Model Order No.					
ALLROUND pedestal see page 122	5030 5814 7000 0000					●93.50/set
Extra charge for easy-clean finish	xxxx xxxx 3xxx					161.50
More information on easy-clean finish can be found on page 122.						

Tile flange kit available, please see page 130.

MONDO 6

- the curvature of the interior contours provides lots of room for the upper part of the body
- wide arm rests for optimum bathing comfort
- diverse installation possibilities, also corner installation
- made of Kaldewei steel enamel 3.5 mm



		inch	mm	inch	mm
Model No.		706	706	716	716
External length	a	77.56	1970	81.10	2060
External width	b	29.53	750	31.50	800
Depth	c	17.52	445	17.52	445
Internal length (top)	d	61.42	1560	64.96	1650
Internal length (bottom)	e	49.21	1250	52.76	1340
Internal width (top)	f ₁ ; f ₂	20.87; 25.00	530; 635	22.83; 27.17	580; 690
Internal width (bottom)	g	15.75	400	17.72	450
Height with feet	h	22.68-23.66	576-601	22.68-23.66	576-601
Height of rim	i	1.26	32	1.26	32
Distance top edge to centre of overflow hole	j	2.95	75	2.95	75
Distance tub edge to centre of drain hole	k	25.98	660	26.38	670
Diameter of overflow hole	l	2.05	52	2.05	52
Diameter of drain hole	m	2.05	52	2.05	52
Distance foot end of tub edge to centre of foot	n	22.24	565	22.64	575
Distance between the feet	o	28.74	730	31.89	810
Max. width of feet	p	17.32	440	18.90	480
Width of rim (foot end)	s	8.58	218	8.39	213
Distance between centre holes	u	10.24	260	11.22	285
Armrest depth	v	6.69	170	6.69	170
Installation dimension	w	53.94	1370	56.69	1440
Side length	x	55.35	1406	57.87	1470
Fase	y	14.37	365	15.35	390
Side length	z ₁ ; z ₂	20.87; 48.82	530; 1240	22.24; 50.39	565; 1280
Water volume** in gallons		34.33		47.01	
Weight of the enamelled bath tub in lbs		105.82		119.05	

Subject to technical alterations and tolerances.
 ** 18.49 gallons displacement on average.

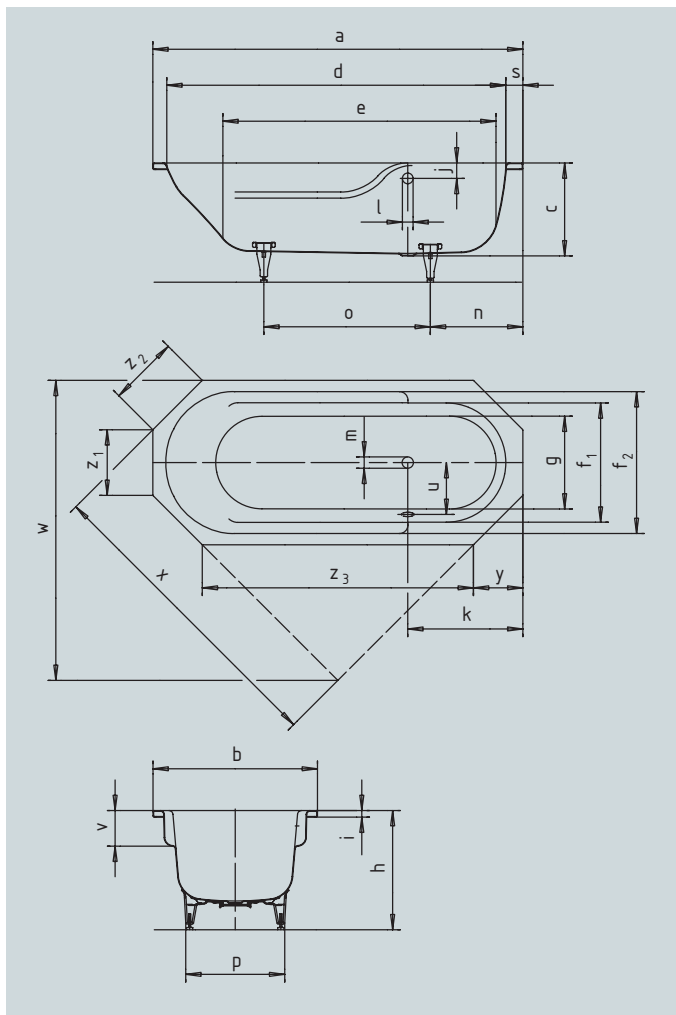
KALDEWEI
 Europe's No. 1 for baths

	Model Order No.	Dimensions inch (cm)	List price			\$
			alpine white	pergamon	black	
MONDO 6 plus ALLROUND pedestal Mod. 5030 Special model also available with overflow hole located opposite without extra charge	706 2271 1400 xxxx	77.56 x 29.53 x 17.32 197 x 75 x 44	4,367.00	5,459.00	6,114.00	
	716 2273 1400 xxxx	81.10 x 31.50 x 17.32 206 x 80 x 44	4,582.00	5,728.00	6,415.00	
Pedestal (required accessory)	Model Order No.					
ALLROUND pedestal see page 122	5030 5814 7000 0000				●93.50/set	
Extra charge for easy-clean finish	xxxx xxxx 3xxx				161.50	
More information on easy-clean finish can be found on page 122.						

Tile flange kit available, please see page 130.

MONDO 8

- the curvature of the interior contours provides lots of room for the upper part of the body
- wide arm rests for optimum bathing comfort
- diverse installation possibilities, also corner installation
- made of Kaldewei steel enamel 3.5 mm



		inch	mm	inch	mm
Model No.		708	708	718	718
External length	a	66.93	1700	70.87	1800
External width	b	29.53	750	31.50	800
Depth	c	17.52	445	17.52	445
Internal length (top)	d	61.42	1560	64.96	1650
Internal length (bottom)	e	49.21	1250	52.76	1340
Internal width (top)	f ₁ ; f ₂	20.87; 25.00	530; 635	22.83; 27.17	580; 690
Internal width (bottom)	g	15.75	400	17.72	450
Height with feet	h	22.68-23.66	576-601	22.68-23.66	576-601
Height of rim	i	1.26	32	1.26	32
Distance top edge to centre of overflow hole	j	2.95	75	2.95	75
Distance tub edge to centre of drain hole	k	20.67	525	22.24	565
Diameter of overflow hole	l	2.05	52	2.05	52
Diameter of drain hole	m	2.05	52	2.05	52
Distance foot end of tub edge to centre of foot	n	16.93	430	17.72	450
Distance between the feet	o	27.95	710	31.89	810
Max. width of feet	p	17.32	440	18.90	480
Width of rim (foot end)	s	3.15	80	3.15	80
Distance between centre holes	u	10.24	260	11.22	285
Armrest depth	v	6.69	170	6.69	170
Installation dimension	w	53.94	1370	57.48	1460
Side length	x	55.35	1406	59.06	1500
Fase	y	9.06	230	9.45	240
Side length	z ₁ ; z ₂ ; z ₃	11.42; 12.80; 48.82	290; 325; 1240	12.60; 13.39; 51.97	320; 340; 1320
Water volume** in gallons		34.33		47.01	
Weight of the enamelled bath tub in lbs		108.03		119.05	

Subject to technical alterations and tolerances.
18.49 gallons displacement on average.

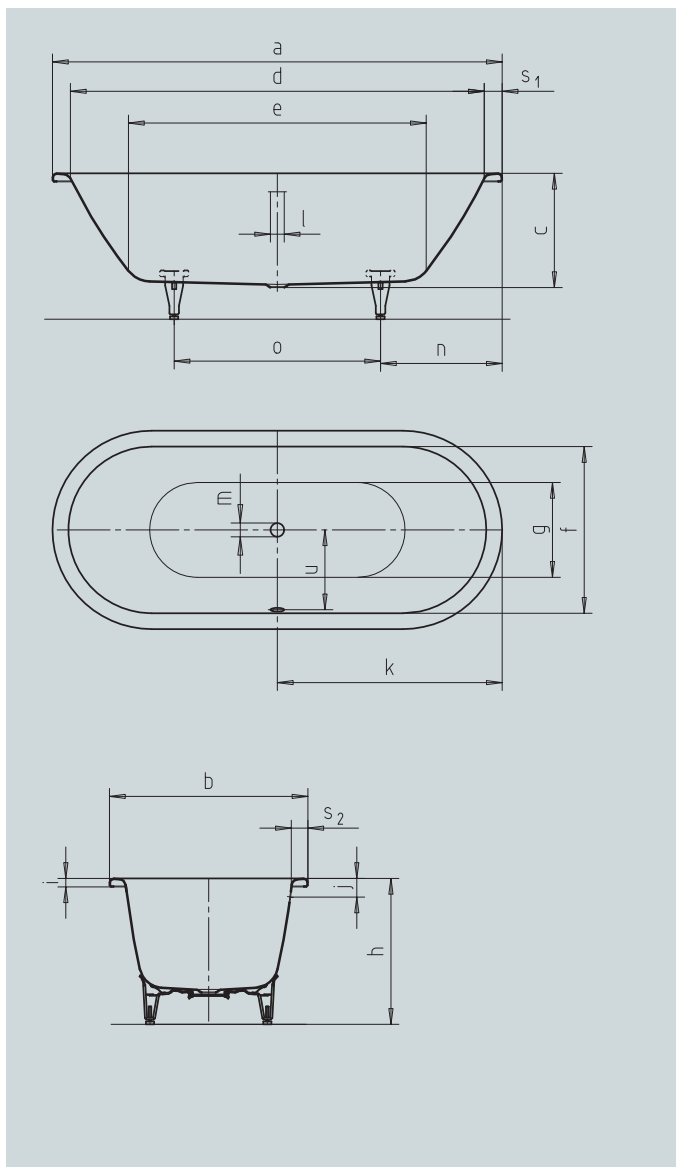
KALDEWEI
Europe's No. 1 for baths

	Model Order No.	Dimensions inch (cm)	List price			\$
			alpine white	pergamon	black	
MONDO 8 plus ALLROUND pedestal Mod. 5030 Special model also available with overflow hole located opposite without extra charge	708 2275 1400 xxxx	66.93 x 29.53 x 17.32 170 x 75 x 44	4,367.00	5,459.00	6,114.00	
	718 2277 1400 xxxx	70.87 x 31.50 x 17.32 180 x 80 x 44	4,582.00	5,728.00	6,415.00	
Pedestal (required accessory)	Model Order No.					
ALLROUND pedestal see page 122	5030 5814 7000 0000					●93.50/set
Extra charge for easy-clean finish	xxxx xxxx 3xxx					161.50
More information on easy-clean finish can be found on page 122.						

Tile flange kit available, please see page 130.

KLASSIKDUO OVAL

- puristic simplicity and unpretentious elegance are what distinguish these bathtubs
- bathing with a friend: two identical back rests and centrally positioned outlet
- made of Kaldewei steel enamel 3.5 mm



		inch	mm	inch	mm	inch	mm
Model No.		112	112	113	113	111	111
External length	a	62.99	1600	66.93	1700	70.87	1800
External width	b	27.56	700	29.53	750	31.50	800
Depth	c	16.93	430	16.93	430	16.93	430
Internal length (top)	d	58.27	1480	62.20	1580	66.14	1680
Internal length (bottom)	e	40.55	1030	44.49	1130	48.43	1230
Internal width (top)	f	22.83	580	24.80	630	26.77	680
Internal width (bottom)	g	17.72	450	19.69	500	21.65	550
Height with feet	h	22.05-23.23	560-590	21.58-23.23	555-590	21.85-23.23	555-590
Height of rim	i	1.26	32	1.26	32	1.26	32
Distance top edge to centre of overflow hole	j	2.76	70	2.76	70	2.76	70
Distance tub edge to centre of drain hole	k	31.50	800	33.46	850	35.43	900
Diameter of overflow hole	l	2.05	52	2.05	52	2.05	52
Diameter of drain hole	m	2.05	52	2.05	52	2.05	52
Distance foot end of tub edge to centre of foot	n	22.05	560	22.05	560	23.62	600
Distance between the feet	o	18.90	480	22.83	580	23.62	600
Max. width of feet	p	16.14	410	17.72	450	21.26	540
Width of rim (foot end; lengthwise)	s ₁ ; s ₂	2.36; 2.36	60; 60	2.36; 2.36	60; 60	2.36; 2.36	60; 60
Distance between centre holes	u	11.02	280	12.01	305	12.99	330
Water volume** in gallons		25.09		32.75		41.73	
Weight of the enamelled bath tub in lbs		90.39		99.21		110.23	

Subject to technical alterations and tolerances.
 ** 18.49 gallons displacement on average.

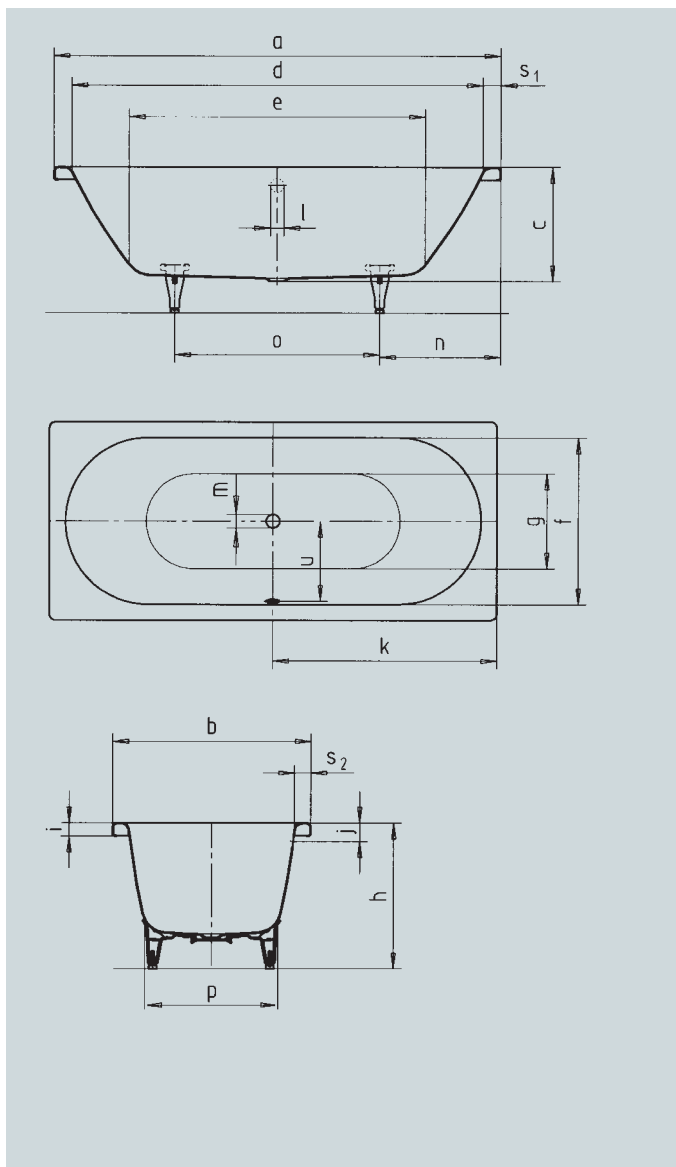
KALDEWEI
 Europe's No. 1 for baths

	Model Order No.	Dimensions inch (cm)	List price			\$
			alpine white	pergamon	black	
KLASSIKDUO OVAL plus ALLROUND pedestal Mod. 5030 plus special pedestal Mod. 5032	112³ 2913 1400 xxxx	62.99 x 27.56 x 16.93 160 x 70 x 43	2,143.00	2,678.00	3,000.00	
	113³ 2914 1400 xxxx	66.93 x 29.53 x 16.93 170 x 75 x 43	2,143.00	2,678.00	3,000.00	
	111 2912 1400 xxxx	70.87 x 31.50 x 16.93 180 x 80 x 43	2,436.00	3,045.00	3,410.00	
Pedestal (required accessory)	Model Order No.					\$
ALLROUND pedestal see page 122	5030 5814 7000 0000					●93.50/set
Special pedestal for KLASSIKDUO OVAL Mod. 111	5032 5816 7000 0000					●107.50/set
Extra charge for easy-clean finish	xxxx xxxx 3xxx					161.50
More information on easy-clean finish can be found on page 122.						

Tile flange kit available, please see page 130.

KLASSIKDUO

- puristic simplicity and unpretentious elegance are what distinguish these bathtubs
- bathing with a friend: two identical back rests and centrally positioned outlet
- classical four-cornered model
- made of Kaldewei steel enamel 3.5 mm



		inch	mm	inch	mm	inch	mm	inch	mm	inch	mm	inch	mm
Model No.		103	103	105	105	107	107	109	109	110	110	114	114
External length	a	62.99	1600	66.93	1700	66.93	1700	70.87	1800	70.87	1800	74.80	1900
External width	b	27.56	700	27.56	700	29.53	750	29.53	750	31.50	800	35.43	900
Depth	c	16.93	430	16.93	430	16.93	430	16.93	430	16.93	430	16.93	430
Internal length (top)	d	58.27	1480	62.20	1580	62.20	1580	66.14	1680	66.14	1680	70.08	1780
Internal length (bottom)	e	44.55	1030	44.49	1130	44.49	1130	48.43	1230	48.43	1230	52.36	1330
Internal width (top)	f	22.83	580	22.83	580	24.80	630	24.80	630	26.77	680	30.71	780
Internal width (bottom)	g	17.72	450	17.72	450	19.69	500	19.69	500	21.65	550	25.59	650
Height with feet	h	22.44-23.82	570-605	22.24-23.62	565-600	22.05-23.43	560-595	22.05-23.43	560-595	21.85-23.23	555-590		
Height of rim	i	1.26	32	1.26	32	1.26	32	1.26	32	1.26	32	1.26	32
Distance top edge to centre of overflow hole	j	2.76	70	2.76	70	2.76	70	2.76	70	2.76	70	2.76	70
Distance tub edge to centre of drain hole	k	31.50	800	33.46	850	33.46	850	35.43	900	35.43	900	37.40	950
Diameter of overflow hole	l	2.05	52	2.05	52	2.05	52	2.05	52	2.05	52	2.05	52
Diameter of drain hole	m	2.05	52	2.05	52	2.05	52	2.05	52	2.05	52	2.05	52
Distance foot end of tub edge to centre of foot	n	22.05	560	22.05	560	22.05	560	23.62	600	23.62	600		
Distance between the feet	o	18.90	480	22.83	580	22.83	580	23.62	600	23.62	600		
Max. width of feet	p	16.93	430	16.54	420	18.50	470	18.50	470	21.26	540		
Width of rim (foot end; lengthwise)	s ₁ ; s ₂	2.36; 2.36	60; 60	2.36; 2.36	60; 60	2.36; 2.36	60; 60	2.36; 2.36	60; 60	2.36; 2.36	60; 60	2.36; 2.36	60; 60
Distance between centre holes	u	11.02	280	11.02	280	12.01	305	12.01	305	12.99	330	14.96	380
Water volume** in gallons		25.09		29.05		32.22		37.77		41.73			
Weight of the enamelled bath tub in lbs		97.00		103.62		105.82		110.23		116.85			

Subject to technical alterations and tolerances.
 ** 18.49 gallons displacement on average.

KALDEWEI
 Europe's No. 1 for baths

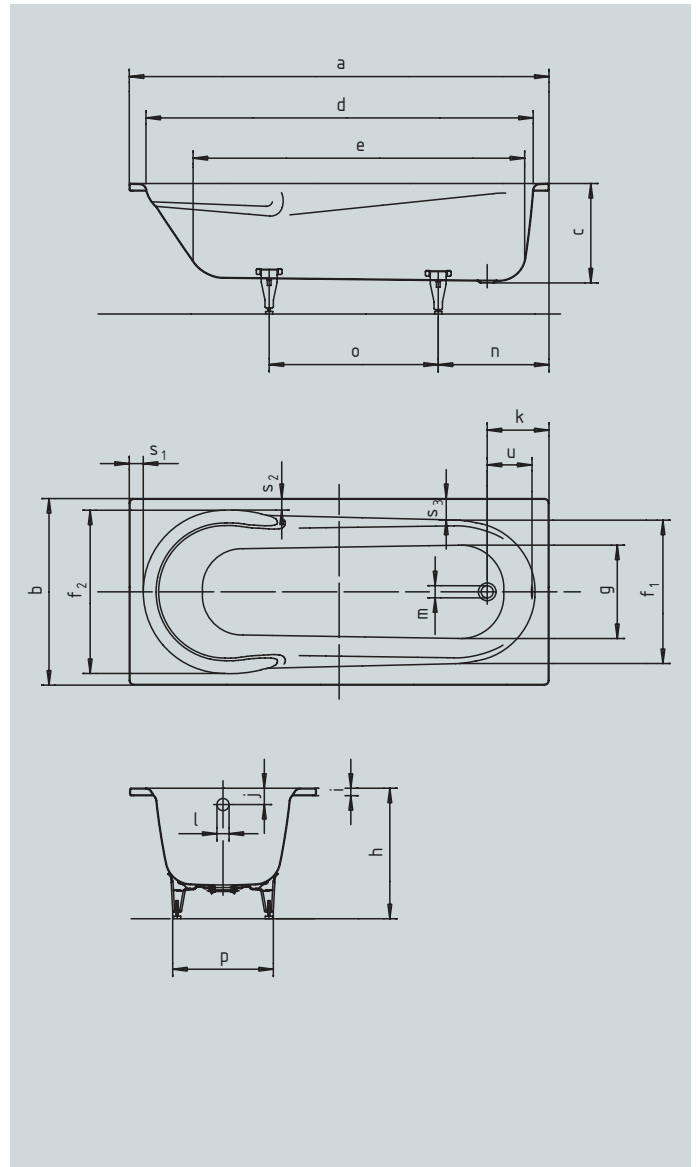
	Model Order No.	Dimensions inch (cm)	List price			\$	
			alpine white	pergamon	black		
KLASSIKDUO plus ALLROUND pedestal Mod. 5030	103 2903 1400 xxxx	62.99 x 27.56 x 16.93 160 x 70 x 43	1,590.00	1,988.00	2,226.00		
	105 2905 1400 xxxx	66.93 x 27.56 x 16.93 170 x 70 x 43	1,590.00	1,988.00	2,226.00		
	107 2907 1400 xxxx	66.93 x 29.53 x 16.93 170 x 75 x 43	1,590.00	1,988.00	2,226.00		
	109 2909 1400 xxxx	70.87 x 29.53 x 16.93 180 x 75 x 43	1,796.00	2,244.00	2,514.00		
	plus special pedestal Mod. 5032	110 2910 1400 xxxx	70.87 x 31.50 x 16.93 180 x 80 x 43	1,796.00	2,244.00	2,514.00	
		114³ 2915 1400 xxxx	74.80 x 35.43 x 16.93 190 x 90 x 43	2,309.00	2,886.00	3,232.00	
	Pedestal (required accessory)	Model Order No.					\$
ALLROUND pedestal see page 122	5030 5814 7000 0000					●93.50/set	
Special pedestal for KLASSIKDUO Mod. 110	5032 5816 7000 0000					●107.50/set	
Extra charge for easy-clean finish	xxxx xxxx 3xxx					161.50	
More information on easy-clean finish can be found on page 122.							

Tile flange kit available, please see page 130.

³ Available from April 2009

AQUAMARIN

- extravagant interior contours
- generously formed area for the back and especially large floor length
- made of Kaldewei steel enamel 3.5 mm



		inch	mm	inch	mm
Model No.		280	280	284	284
External length	a	70.87	1800	74.80	1900
External width	b	31.50	800	35.43	900
Depth	c	16.54	420	16.54	420
Internal length (top)	d	66.14	1680	70.08	1780
Internal length (bottom)	e	55.91	1420	59.84	1520
Internal width (top)	f ₁ ; f ₂	24.21; 27.56	615; 700	27.76; 31.50	705; 800
Internal width (bottom)	g	15.75	400	18.11	460
Height with feet	h	22.05-23.03	560-585	22.05-23.03	560-585
Height of rim	i	1.26	32	1.26	32
Distance top edge to centre of overflow hole	j	2.76	70	2.76	70
Distance tub edge to centre of drain hole	k	10.43	265	11.02	280
Diameter of overflow hole	l	2.05	52	2.05	52
Diameter of drain hole	m	2.05	52	2.05	52
Distance foot end of tub edge to centre of foot	n	16.93	430	18.90	480
Distance between the feet	o	32.36	822	34.37	873
Max. width of feet	p	17.72	450	20.08	510
Width of rim	s ₁ ; s ₂ ; s ₃	2.36; 1.97; 4.53	60; 50; 115	2.36; 1.97; 4.92	60; 50; 125
Distance between centre holes	u	7.56	192	7.56	192
Water volume** in gallons		34.60		46.22	
Weight of the enamelled bath tub in lbs		121.25		136.69	

Subject to technical alterations and tolerances.
 ** 18.49 gallons displacement on average.

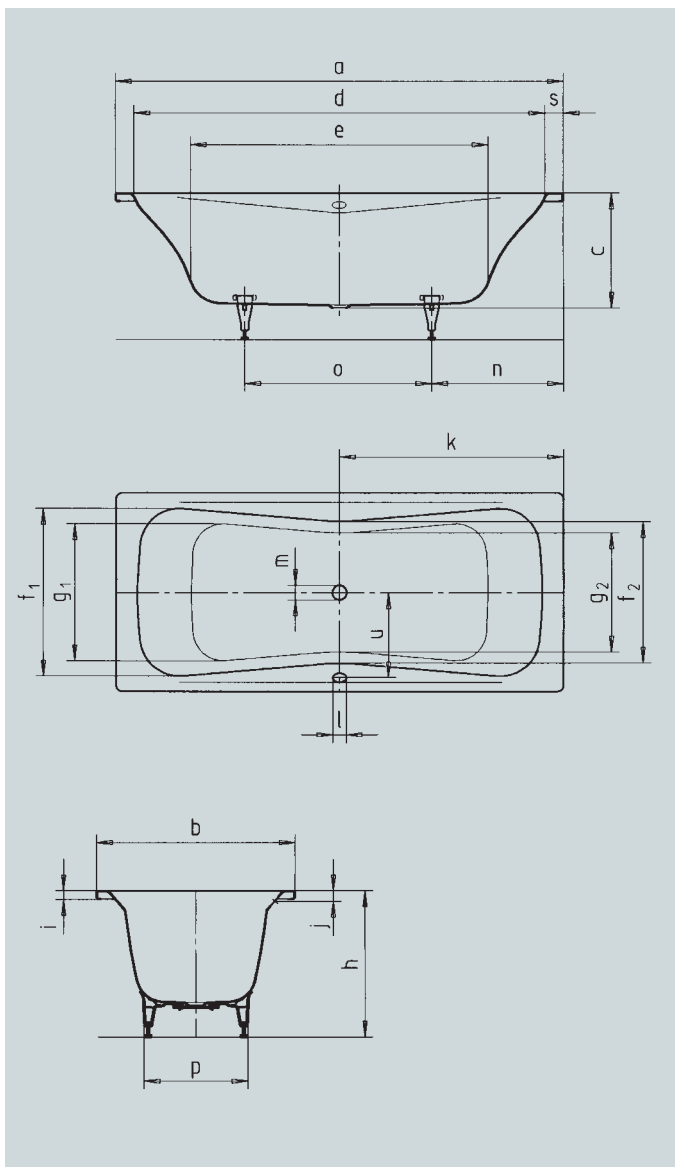
KALDEWEI
 Europe's No. 1 for baths

	Model Order No.	Dimensions inch (cm)	List price			\$
			alpine white	pergamon	black	
AQUAMARIN plus ALLROUND pedestal Mod. 5030	280 2400 1400 xxxx	70.87 x 31.50 x 16.54 180 x 80 x 42	2,465.00	3,082.00	3,451.00	
	284 2402 1400 xxxx	74.80 x 35.43 x 16.54 190 x 90 x 42	2,715.00	3,393.00	3,800.00	
Pedestal (required accessory)	Model Order No.					\$
ALLROUND pedestal see page 122	5030 5814 7000 0000					●93.50/set
Extra charge for easy-clean finish	xxxx xxxx 3xxx					161.50
More information on easy-clean finish can be found on page 122.						

Tile flange kit available, please see page 130.

DYNA DUO

- bathing with a friend: two identical back rests and centrally positioned outlet
- the high overflow allows the bathwater to be particularly deep
- classic four-cornered model
- made of Kaldewei steel enamel 3.5 mm



		inch	mm	inch	mm
Model No.		612	612	613	613
External length	a	66.93	1700	70.87	1800
External width	b	29.53	750	31.50	800
Depth	c	16.93	430	17.72	450
Internal length (top)	d	62.60	1590	65.35	1660
Internal length (bottom)	e	43.31	1100	45.28	1150
Internal width (top)	f ₁ ; f ₂	25.20; 21.65	640; 550	27.17; 22.83	690; 580
Internal width (bottom)	g ₁ ; g ₂	19.69; 14.96	500; 380	19.29; 17.32	490; 440
Height with feet	h	21.06-22.56	535-573	22.83-24.21	580-615
Height of rim	i	1.26	32	1.26	32
Distance top edge to centre of overflow hole	j	2.95	75	2.95	75
Distance tub edge to centre of drain hole	k	33.46	850	35.43	900
Diameter of overflow hole	l	2.05	52	2.05	52
Diameter of drain hole	m	2.05	52	2.05	52
Distance foot end of tub edge to centre of foot	n	19.69	500	20.08	510
Distance between the feet	o	27.56	700	30.71	780
Max. width of feet	p	15.35	390	16.93	430
Width of rim (foot end)	s	2.17	55	2.36	60
Distance between centre holes	u	10.63	270	11.57	294
Water volume** in gallons		36.98		52.82	
Weight of the enamelled bath tub in lbs		108.03		136.69	

Subject to technical alterations and tolerances.
 ** 18.49 gallons displacement on average.

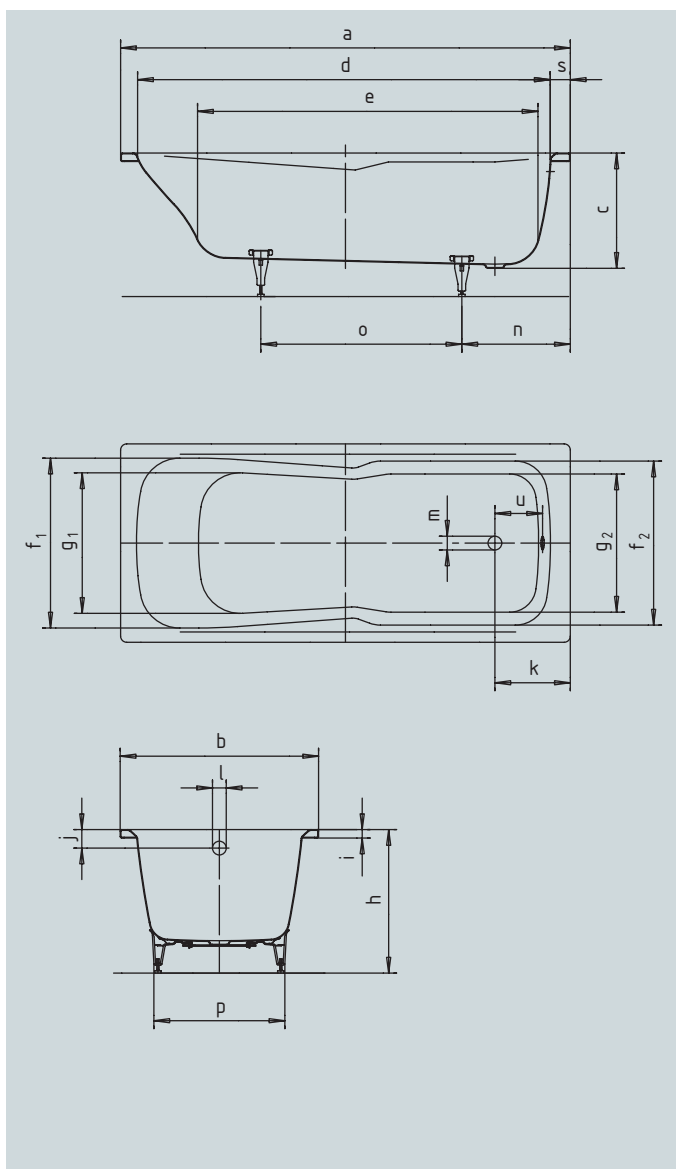
KALDEWEI
 Europe's No. 1 for baths

	Model Order No.	Dimensions inch (cm)	List price			\$
			alpine white	pergamon	black	
DYNA DUO plus ALLROUND pedestal Mod. 5030	612 2326 1400 xxxx	66.93 x 29.53 x 16.93 170 x 75 x 43	1,605.00	2,006.00	2,247.00	
	613 2327 1400 xxxx	70.87 x 31.50 x 17.72 180 x 80 x 45	1,986.00	2,483.00	2,781.00	
Pedestal (required accessory)	Model Order No.					\$
ALLROUND pedestal see page 122	5030 5814 7000 0000					● 93.50/set
Extra charge for easy-clean finish	xxxx xxxx 3xxx					161.50
More information on easy-clean finish can be found on page 122.						

Tile flange kit available, please see page 130.

DYNA SET

- one-seater bathtub with outlet at foot end
- combi-bathtub suitable for bathing and showering
- made of Kaldewei steel enamel 3.5 mm



		inch	mm	inch	mm	inch	mm	inch	mm
Model No.		626	626	624	624	620	620	622	622
External length	a	62.99	1600	59.06	1500	66.93	1700	70.87	1800
External width	b	27.56	700	29.53	750	29.53	750	31.50	800
Depth	c	16.93	430	16.93	430	16.93	430	16.93	430
Internal length (top)	d	56.69	1440	52.76	1340	61.61	1565	61.61	1565
Internal length (bottom)	e	45.47	1155	41.34	1050	48.43	1230	48.43	1230
Internal width (top)	f ₁ ; f ₂	23.23; 23.23	590; 590	25.20; 25.20	640; 640	25.20; 24.41	640; 620	25.20; 24.41	640; 620
Internal width (bottom)	g ₁ ; g ₂	17.72; 18.50	450; 470	19.69; 20.47	500; 520	19.69; 20.47	500; 520	19.69; 20.47	500; 520
Height with feet	h	22.09-23.07	561-586	22.09-23.07	561-586	22.09-23.07	561-586	22.09-23.07	561-586
Height of rim	i	1.26	32	1.26	32	1.26	32	1.26	32
Distance top edge to centre of overflow hole	j	2.76	70	2.76	70	2.76	70	2.76	70
Distance tub edge to centre of drain hole	k	12.20	310	12.20	310	11.22	285	13.19	335
Diameter of overflow hole	l	2.05	52	2.05	52	2.05	52	2.05	52
Diameter of drain hole	m	2.05	52	2.05	52	2.05	52	2.05	52
Distance foot end of tub edge to centre of foot	n	16.14	410	16.14	410	16.14	410	16.34	415
Distance between the feet	o	27.17	690	23.23	590	29.92	760	31.69	805
Max. width of feet	p	17.52	445	19.49	495	19.49	495	19.49	495
Width of rim (foot end)	s	3.94	100	3.94	100	2.95	75	4.92	125
Distance between centre holes	u	8.11	206	8.11	206	8.11	206	8.11	206
Water volume** in gallons		32.22		35.13		44.64		44.64	
Weight of the enamelled bath tub in lbs		101.41		99.71		116.85		149.91	

Subject to technical alterations and tolerances.
 ** 18.49 gallons displacement on average.

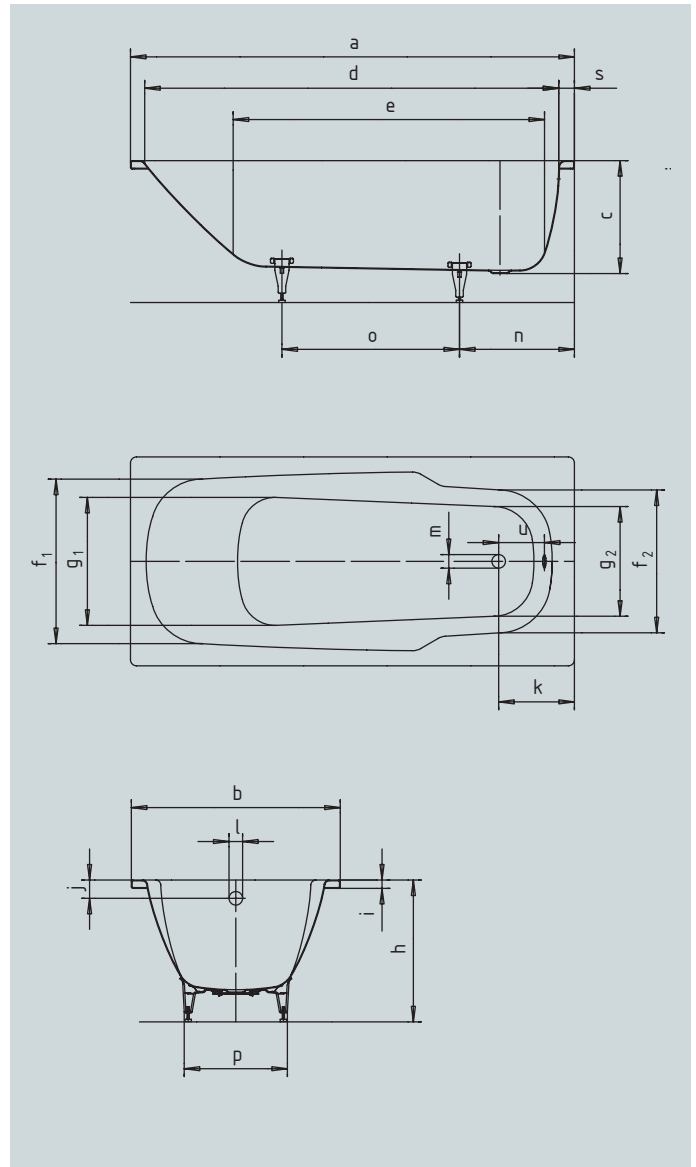
KALDEWEI
 Europe's No. 1 for baths

	Model Order No.	Dimensions inch (cm)	List price			\$
			alpine white	pergamon	black	
DYNA SET plus ALLROUND pedestal Mod. 5030	626 2268 1400 xxxx	62.99 x 27.56 x 16.93 160 x 70 x 43	1,786.00	2,232.00	2,500.00	
	624 2266 1400 xxxx	59.06 x 29.53 x 16.93 150 x 75 x 43	1,786.00	2,232.00	2,500.00	
	620 2261 1400 xxxx	66.93 x 29.53 x 16.93 170 x 75 x 43	1,786.00	2,232.00	2,500.00	
	622 2264 1400 xxxx	70.87 x 31.50 x 16.93 180 x 80 x 43	1,991.00	2,489.00	2,787.00	
Pedestal (required accessory)	Model Order No.					\$
ALLROUND pedestal see page 122	5030 5814 7000 0000					● 93.50/set
Extra charge for easy-clean finish	xxxx xxxx 3xxx					161.50
More information on easy-clean finish can be found on page 122.						

Tile flange kit available, please see page 130.

SENTO

- one-seater bathtub with outlet at foot end
- economic water consumption thanks to its tapering interior contours
- made of Kaldewei steel enamel 3.5 mm



		inch	mm	inch	mm
Model No.		376	376	379	379
External length	a	66.93	1700	70.87	1800
External width	b	31.50	800	31.50	800
Depth	c	16.93	430	16.93	430
Internal length (top)	d	61.42	1560	64.17	1630
Internal length (bottom)	e	45.28	1150	47.24	1200
Internal width (top)	f ₁ ; f ₂	25.20; 21.26	640; 540	25.20; 21.26	640; 540
Internal width (bottom)	g ₁ ; g ₂	16.93; 14.96	430; 380	16.93; 14.96	430; 380
Height with feet	h	21.85-22.64	555-575	21.85-22.83	555-580
Height of rim	i	1.26	32	1.26	32
Distance top edge to centre of overflow hole	j	2.76	70	2.76	70
Distance tub edge to centre of drain hole	k	11.42	290	12.20	310
Diameter of overflow hole	l	2.05	52	2.05	52
Diameter of drain hole	m	2.05	52	2.05	52
Distance foot end of tub edge to centre of foot	n	17.32	440	17.52	445
Distance between the feet	o	26.77	680	30.51	775
Max. width of feet	p	15.55	395	15.55	395
Width of rim (foot end)	s	3.35	85	3.35	85
Distance between centre holes	u	7.64	194	8.66	220
Water volume** in gallons		34.60		37.24	
Weight of the enamelled bath tub in lbs		112.44		121.25	

Subject to technical alterations and tolerances.
 ** 18.49 gallons displacement on average.

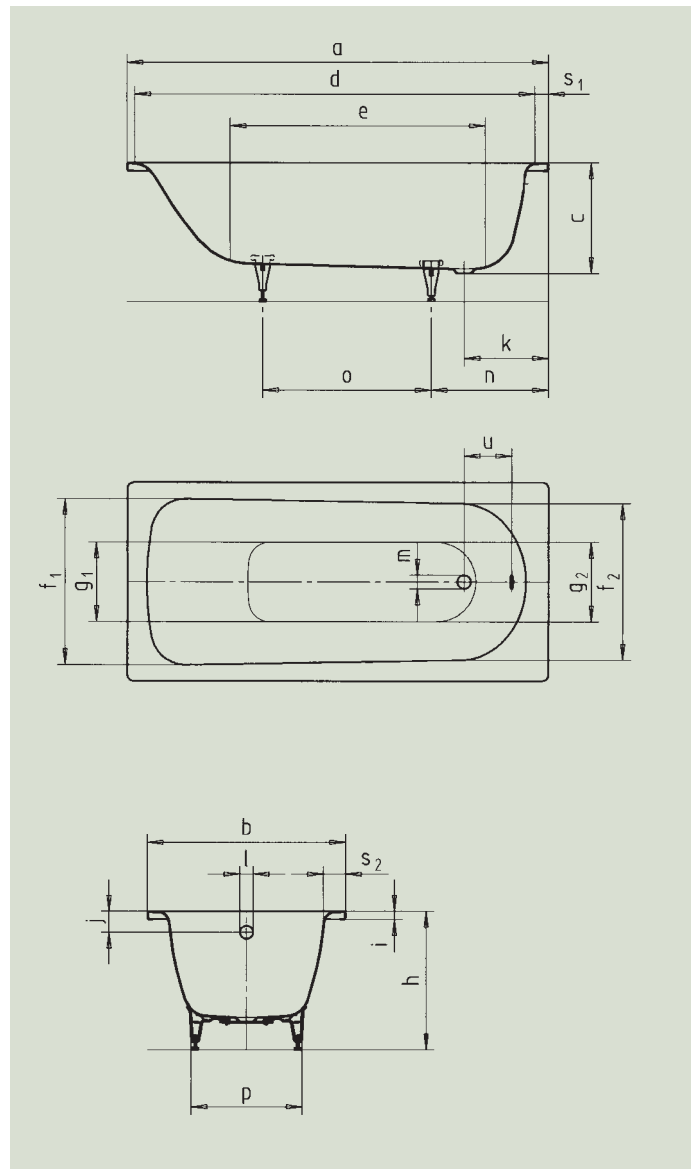
KALDEWEI
 Europe's No. 1 for baths

	Model Order No.	Dimensions inch (cm)	List price			\$
			alpine white	pergamon	black	
SENTO plus ALLROUND pedestal Mod. 5030	376 2290 1400 xxxx	66.93 x 31.50 x 16.93 170 x 80 x 43	1,830.00	2,287.00	2,561.00	
	379 2291 1400 xxxx	70.87 x 31.50 x 16.93 180 x 80 x 43	1,991.00	2,489.00	2,787.00	
Pedestal (required accessory)	Model Order No.					\$
ALLROUND pedestal see page 122	5030 5814 7000 0000					●93.50/set
Extra charge for easy-clean finish	xxxx xxxx 3xxx					161.50
More information on easy-clean finish can be found on page 122.						

Tile flange kit available, please see page 130.

SANIFORM PLUS

- one-seater bathtub with outlet at foot end
- classic four-cornered model
- made of Kaldewei steel enamel 3.5 mm



		inch	mm	inch	mm	inch	mm	inch	mm
Model No.		360-1	360-1	361-1	361-1	362-1	362-1	363-1	363-1
External length	a	55.12	1400	59.06	1500	62.99	1600	66.93	1700
External width	b	27.56	700	27.56	700	27.56	700	27.56	700
Depth	c	16.14	410	16.14	410	16.14	410	16.14	410
Internal length (top)	d	48.43	1230	52.36	1330	56.30	1430	60.24	1530
Internal length (bottom)	e	33.46	850	37.40	950	41.34	1050	45.28	1150
Internal width (top)	f ₁ ; f ₂	21.65; 20.87	550; 530	21.65; 20.87	550; 530	21.65; 20.87	550; 530	21.65; 20.87	550; 530
Internal width (bottom)	g ₁ ; g ₂	15.35; 13.78	390; 350	15.35; 13.78	390; 350	15.35; 13.78	390; 350	15.35; 13.78	390; 350
Height with feet	h	21.06-21.85	535-555	21.06-21.85	535-555	21.06-21.85	535-555	21.06-21.85	535-555
Height of rim	i	1.26	32	1.26	32	1.26	32	1.26	32
Distance top edge to centre of overflow hole	j	2.48	63	2.48	63	2.48	63	2.48	63
Distance tub edge to centre of drain hole	k	12.20	310	12.60	320	12.20	310	12.20	310
Diameter of overflow hole	l	2.05	52	2.05	52	2.05	52	2.05	52
Diameter of drain hole	m	2.05	52	2.05	52	2.05	52	2.05	52
Distance foot end of tub edge to centre of foot	n	17.91	455	17.52	445	17.72	450	17.72	450
Distance between the feet	o	17.52	445	21.85	555	23.62	600	29.13	740
Max. width of feet	p	14.96	380	14.96	380	14.96	380	14.96	380
Width of rim (foot end; lengthwise)	s ₁ ; s ₂	2.76; 2.95	70; 75	2.76; 2.95	70; 75	2.76; 2.95	70; 75	2.76; 2.95	70; 75
Distance between centre holes	u	8.35	212	8.74	222	8.35	212	8.35	212
Water volume** in gallons		17.70		21.66		24.56		29.32	
Weight of the enamelled bath tub in lbs		88.18		88.18		97.00		105.82	

Subject to technical alterations and tolerances.
 ** 18.49 gallons displacement on average.

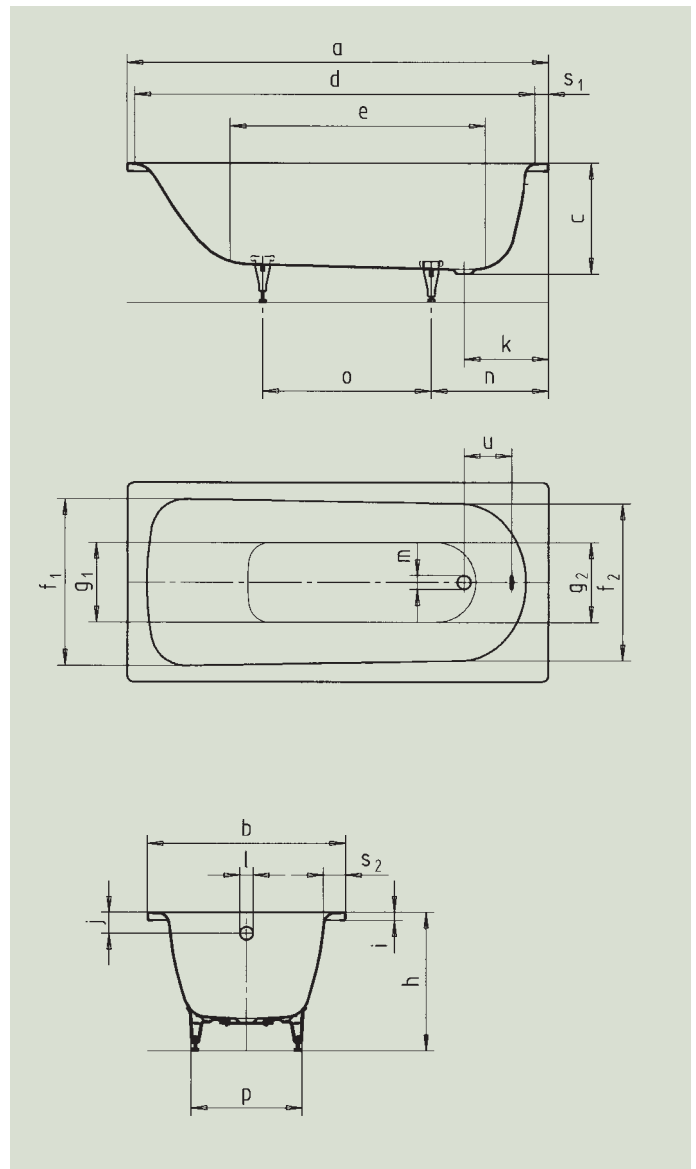
KALDEWEI
 Europe's No. 1 for baths

	Model Order No.	Dimensions inch (cm)	List price			\$
			alpine white	pergamon	black	
SANIFORM PLUS Ergonomic bath plus ALLROUND pedestal Mod. 5030	360-1 1115 1400 xxxx	55.12 x 27.56 x 16.14 140 x 70 x 41	1,078.00	1,347.00		
	361-1 1116 1400 xxxx	59.06 x 27.56 x 16.14 150 x 70 x 41	1,078.00	1,347.00		
	362-1 1117 1400 xxxx	62.99 x 27.56 x 16.14 160 x 70 x 41	1,056.00	1,320.00		
	363-1 1118 1400 xxxx	66.93 x 27.56 x 16.14 170 x 70 x 41	1,058.00	1,323.00		
Pedestal (required accessory)	Model Order No.					\$
ALLROUND pedestal see page 122	5030 5814 7000 0000					●93.50/set
Extra charge for easy-clean finish	xxxx xxxx 3xxx					161.50
More information on easy-clean finish can be found on page 122.						

Tile flange kit available, please see page 130.

SANIFORM PLUS

- one-seater bathtub with outlet at foot end
- classic four-cornered model
- made of Kaldewei steel enamel 3.5 mm



		inch	mm	inch	mm	inch	mm	inch	mm	inch	mm	inch	mm
Model No.		371-1	371-1	372-1	372-1	373-1	373-1	374	374	375-1	375-1	367	367
External length	a	66.93	1700	62.99	1600	66.93	1700	68.90	1750	70.87	1800	62.99	1600
External width	b	28.74	730	29.53	750	29.53	750	29.53	750	31.50	800	29.53	750
Depth	c	16.14	410	16.14	410	16.14	410	16.93	430	16.93	430	18.90	480
Internal length (top)	d	60.24	1530	56.30	1430	60.24	1530	64.17	1630	64.17	1630	56.69	1440
Internal length (bottom)	e	45.28	1150	41.34	1050	45.28	1150	47.24	1200	49.21	1250	33.23	844
Internal width (top)	f ₁ ; f ₂	21.65; 20.87	550; 530	23.62; 22.83	600; 580	23.62; 22.83	600; 580	24.80; 22.05	630; 560	26.57; 25.20	675; 640	24.41; 23.23	620; 590
Internal width (bottom)	g ₁ ; g ₂	15.35; 13.78	390; 350	17.32; 15.75	440; 400	17.32; 15.75	440; 400	16.93; 14.96	430; 380	20.47; 17.72	520; 450	11.02; 11.02	280; 280
Height with feet	h	21.06-21.85	535-555	21.06-21.85	535-555	21.06-21.85	535-555	22.05-22.83	560-580	21.65-22.83	550-580	24.21-25.00	615-635
Height of rim	i	1.26	32	1.26	32	1.26	32	1.26	32	1.26	32	1.26	32
Distance top edge to centre of overflow hole	j	2.48	63	2.48	63	2.48	63	2.76	70	2.95	75	2.56	65
Distance tub edge to centre of drain hole	k	12.20	310	12.20	310	12.20	310	11.22	285	12.20	310	14.17	360
Diameter of overflow hole	l	2.05	52	2.05	52	2.05	52	2.05	52	2.05	52	2.05	52
Diameter of drain hole	m	2.05	52	2.05	52	2.05	52	2.05	52	2.05	52	2.05	52
Distance foot end of tub edge to centre of foot	n	17.72	450	17.52	445	17.52	445	17.72	450	18.11	470	18.90	480
Distance between the feet	o	29.13	740	25.20	640	29.53	750	25.20	640	33.07	830	23.82	605
Max. width of feet	p	14.57	370	16.93	430	16.93	430	16.93	430	18.90	480	16.93	430
Width of rim (foot end; lengthwise)	s ₁ ; s ₂	3.35; 3.54	85; 90	2.76; 2.95	70; 75	2.76; 2.95	70; 75	2.36; 2.17	60; 55	2.76; 2.95	70; 75	3.15; 3.35	80; 85
Distance between centre holes	u	9.06	212	9.06	218	9.06	218	8.70	221	9.06	216	10.51	267
Water volume** in gallons		25.62		28.26		32.49		38.30		39.62		36.98	
Weight of the enamelled bath tub in lbs		108.03		99.21		110.23		121.25		121.25		108.03	

Subject to technical alterations and tolerances.
 ** 18.49 gallons displacement on average.

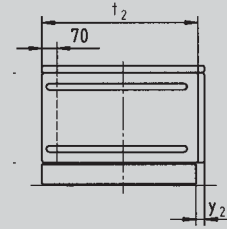
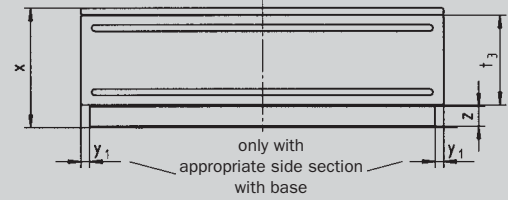
KALDEWEI
 Europe's No. 1 for baths

	Model Order No.	Dimensions inch (cm)	List price			\$
			alpine white	pergamon	black	
SANIFORM PLUS Ergonomic bath plus ALLROUND pedestal Mod. 5030	371-1 1129 1400 xxxx	66.93 x 28.74 x 16.14 170 x 73 x 41	968.00	1,210.00		
	372-1 1125 1400 xxxx	62.99 x 29.53 x 16.14 160 x 75 x 41	1,010.00	1,262.00		
	373-1 1126 1400 xxxx	66.93 x 29.53 x 16.14 170 x 75 x 41	1,056.00	1,320.00		
	375-1 1128 1400 xxxx	70.87 x 31.50 x 16.93 180 x 80 x 43	1,275.00	1,593.00		
	367-1 1138 1400 xxxx	62.99 x 29.53 x 18.90 160 x 75 x 48	1,552.00	1,940.00		
	374-1 1122 1400 xxxx	68.90 x 29.53 x 16.93 175 x 75 x 43	1,423.00	1,779.00		
Pedestal (required accessory)	Model Order No.					\$
Pedestal ALLROUND see page 122	5030 5814 7000 0000					● 93.50/set
Extra charge for easy-clean finish	xxxx xxxx 3xxx					161.50
More information on easy-clean finish can be found on page 122.						

Tile flange kit available, please see page 130.

BAKO PANELLING SYSTEM

- a panelling system which provides flexibility
- the bathtub can be replaced without damaging the tiles
- no bricking in and tiling
- quick installation without the nuisance of dust and noise



Bako long section		inch		mm		inch		mm	
Model No.		1500/UT	1500/UT	1600/UT	1600/UT	1700/UT	1700/UT	1700/UT	1700/UT
External length	a	59.06	1500	62.99	1600	66.93	1700		
External width	b	-	-	-	-	-	-	-	-
Height of rim	i	1.26	32	1.26	32	1.26	32		
Distance tub edge to centre of base	n ₁ ; n ₂	10.63; 5.12	270; 130	10.63; 5.12	270; 130	10.63; 5.12	270; 130		
Length long section	t ₁	59.06	1500	62.99	1600	66.93	1700		
Length side section	t ₂	-	-	-	-	-	-	-	-
Height long and side section	t ₃	16.54	420	16.54	420	16.54	420		
Overall height	x	22.05	560	22.05	560	22.05	560		
Base	y ₁ ; y ₂	1.57; 1.57	40; 40	1.57; 1.57	40; 40	1.57; 1.57	40; 40		
Height of base	z	3.62	92	3.62	92	3.62	92		
for SANIFORM PLUS Model No.		361-1	361-1	362-1/372-1	362-1/372-1	363-1/373-1	363-1/373-1		

BAKO side section		inch		mm		inch		mm	
Model No.		700/UT	700/UT	750/UT	750/UT	750/UT	750/UT	750/UT	750/UT
External length	a	-	-	-	-	-	-	-	-
External width	b	27.56	700	29.53	750				
Height of rim	i	1.26	32	1.26	32				
Distance tub edge to centre of base	n ₁ ; n ₂	10.63; 5.12	270; 130	10.63; 5.12	270; 130				
Length long section	t ₁	-	-	-	-				
Length side section	t ₂	26.38	670	28.35	720				
Height long and side section	t ₃	16.54	420	16.54	420				
Overall height	x	22.05	560	22.05	560				
Base	y ₁ ; y ₂	1.57; 1.57	40; 40	1.57; 1.57	40; 40				
Height of base	z	3.62	92	3.62	92				
for SANIFORM PLUS Model No.				360-1/361-1	360-1/361-1	372-1/373-1	372-1/373-1		
				362-1/363-1	362-1/363-1				

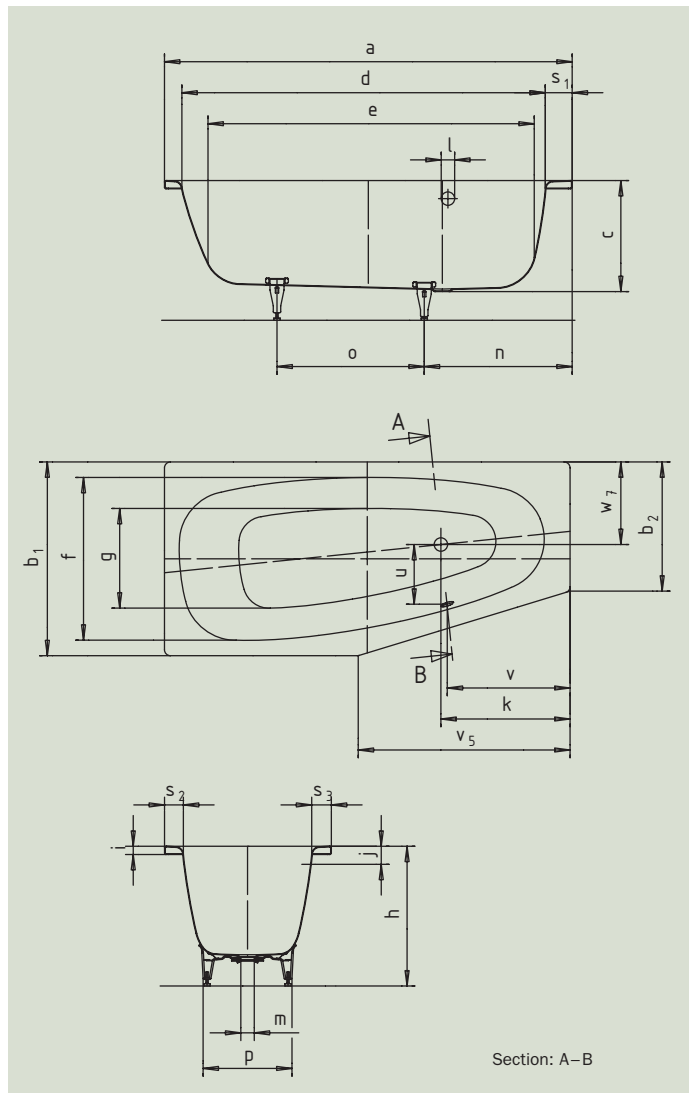
UT = version with base VK = shortened

Subject to technical alterations.

BAKO panelling system	Model Order No.	Dimensions inch (cm)	\$ white	
Long section with base Height of base: 3.62 inch	1500/UT 6855 0006 0001	59.06 x 20.16 x 1.57 150 x 51.2 x 4		● 422.00
	1600/UT 6855 0004 0001	62.99 x 20.16 x 1.57 160 x 51.2 x 4		● 422.00
	1700/UT 6855 0005 0001	66.93 x 20.16 x 1.57 170 x 51.2 x 4		● 422.00
Side section with base Height of base: 3.62 inch	700/UT 6855 0021 0001	27.56/26.38 x 20.16 x 1.57 70/67 x 51.2 x 4		● 319.00
	750/UT 6855 0023 0001	29.53/28.35 x 20.16 x 1.57 75/72 x 51.2 x 4		● 319.00
Tubular foot frame			\$	
Tubular foot frame for SANIFORM PLUS/SANIFORM PLUS STAR 70 cm wide Mod. 360-1, 361-1, 362-1, 363-1, 330, 331, 332, 335	5310 6855 0040 0000			● 192.50/set
Tubular foot frame for SANIFORM PLUS/SANIFORM PLUS STAR 75 cm wide Mod. 372-1, 373-1, 333, 336	5311 6855 0041 0000			● 192.50/set

MINI right

- special shape is ideal for small bathrooms
- one-seater bathtub with side overflow
- economic water consumption thanks to its tapering interior contours
- made of Kaldewei steel enamel 3.5 mm



		inch	mm
Model No.		830	830
External length	a	61.81	1570
External width	b; b ₂	29.53; 19.69	750; 500
Depth	c	16.93	430
Internal length (top)	d	55.51	1410
Internal length (bottom)	e	49.21	1250
Internal width (top)	f	23.62	600
Internal width (bottom)	g	14.17	360
Height with feet	h	21.65-22.44	550-570
Height of rim	i	1.26	32
Distance top edge to centre of overflow hole	j	2.76	70
Distance tub edge to centre of drain hole	k	19.69	500
Diameter of overflow hole	l	2.05	52
Diameter of drain hole	m	2.05	52
Distance foot end of tub edge to centre of foot	n	22.44	570
Distance between the feet	o	19.29	490
Max. width of feet	p	16.93	430
Width of rim (foot end; lengthwise; at overflow)	s ₁ ; s ₂ ; s ₃	3.94; 2.36; 2.76	100; 60; 70
Distance between centre holes	u	9.69	246
Distance tub edge (foot end) to overflow hole	v	18.70	475
Length of narrow side	v ₅	32.28	820
Drain hole off-centre	w ₇	12.60	320
Water volume** in gallons		29.05	
Weight of the enamelled bath tub in lbs		114.64	

Subject to technical alterations and tolerances.
 ** 18.49 gallons displacement on average.

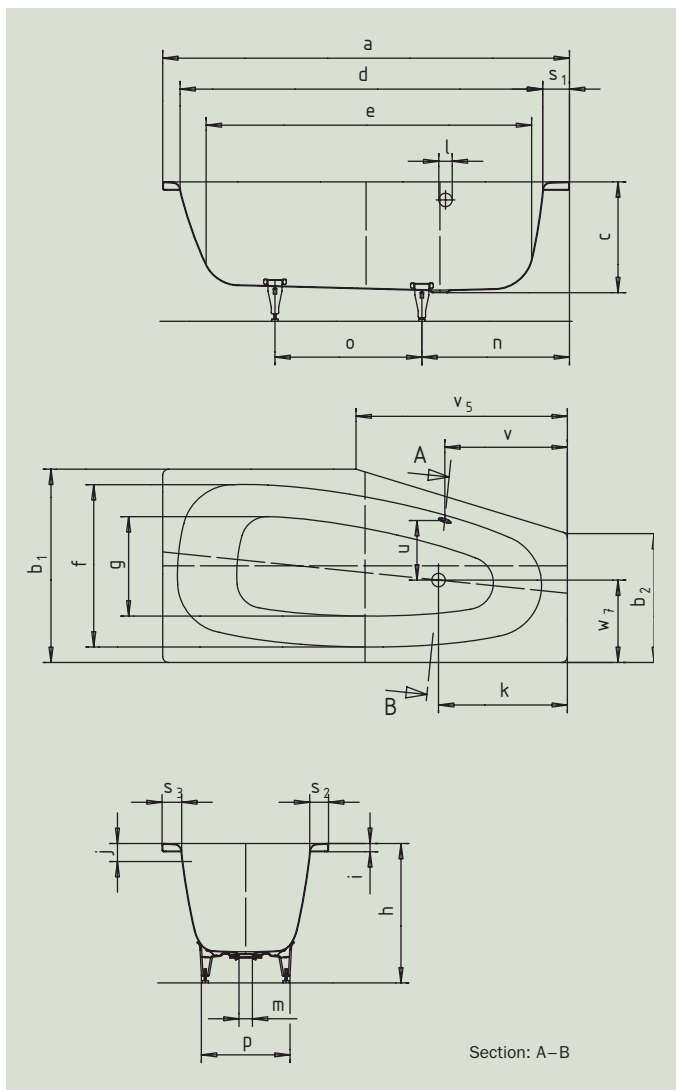
KALDEWEI
 Europe's No. 1 for baths

	Model Order No.	Dimensions inch (cm)	List price			\$
			alpine white	pergamon	black	
MINI right plus ALLROUND pedestal Mod. 5030	830 2246 1400 xxx	61.81 x 29.53/19.69 x 16.93 157 x 75/50 x 43	1,579.00	1,974.00		
Pedestal (required accessory)	Model Order No.					\$
ALLROUND pedestal see page 122	5030 5814 7000 0000					● 93.50/set
Extra charge for easy-clean finish	xxxx xxxx 3xxx					161.50
More information on easy-clean finish can be found on page 122.						

Tile flange kit available, please see page 130.

MINI left

- special shape is ideal for small bathrooms
- one-seater bathtub with side overflow
- economic water consumption thanks to its tapering interior contours
- made of Kaldewei steel enamel 3.5 mm



		inch	mm
Model No.		832	832
External length	a	61.81	1570
External width	b ₁ ; b ₂	29.53; 19.69	750; 500
Depth	c	16.93	430
Internal length (top)	d	55.51	1410
Internal length (bottom)	e	49.21	1250
Internal width (top)	f	23.62	600
Internal width (bottom)	g	14.17	360
Height with feet	h	21.65-22.44	550-570
Height of rim	i	1.26	32
Distance top edge to centre of overflow hole	j	2.76	70
Distance tub edge to centre of drain hole	k	19.69	500
Diameter of overflow hole	l	2.05	52
Diameter of drain hole	m	2.05	52
Distance foot end of tub edge to centre of foot	n	22.44	570
Distance between the feet	o	19.29	490
Max. width of feet	p	16.93	430
Width of rim (foot end; lengthwise; at overflow)	S ₁ ; S ₂ ; S ₃	3.94; 2.36; 2.76	100; 60; 70
Distance between centre holes	u	9.69	246
Distance tub edge (foot end) to overflow hole	v	18.70	475
Length of narrow side	v ₅	32.28	820
Drain hole off-centre	w ₇	12.60	320
Water volume** in gallons		29.05	
Weight of the enamelled bath tub in lbs		114.64	

Subject to technical alterations and tolerances.
 ** 18.49 gallons displacement on average.

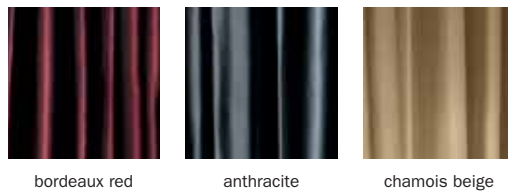
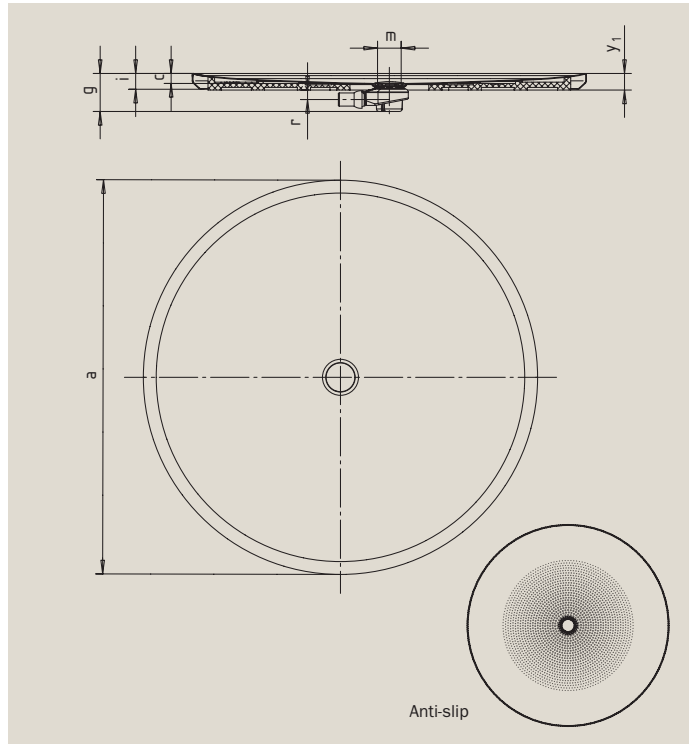
KALDEWEI
 Europe's No. 1 for baths

	Model Order No.	Dimensions inch (cm)	List price			\$
			alpine white	pergamon	black	
MINI left plus ALLROUND pedestal Mod. 5030	832 2248 1400 xxx	61.81 x 29.53/19.69 x 16.93 157 x 75/50 x 43	1,579.00	1,974.00		
Pedestal (required accessory)	Model Order No.					\$
ALLROUND pedestal see page 122	5030 5814 7000 0000					●93.50/set
Extra charge for easy-clean finish	xxxx xxxx 3xxx					161.50
More information on easy-clean finish can be found on page 122.						

Tile flange kit available, please see page 130.

PIATTO

- free-standing shower tray
- appears to float above the floor
- easy-clean finish as standard
- outlet cover same color as tray
- made of Kaldewei steel enamel 3.5 mm
- two-part curtain, decorative tafetta with Teflon, shower proof, antibacterial and antistatic, wash at 86 °F on delicate wash
- curtain ring to match ceiling mounting



		inch	mm
Model No.		800-2	800-2
External diameter	a	59.06	1500
Depth	c	1.50	38
Distance top edge tray rim to bottom of siphon	g	5.71	145
Height of rim	i	2.36	60
Diameter of drain hole	m	3.54	90
Siphon connection height	r	1.42	36
Height with support	y ₁	2.48	63
Weight of the enamelled shower tray in lbs		110.23	

Subject to technical alterations and tolerances.

Easy-clean finish as standard	Model Order No.	Dimensions inch (cm)	Colour price groups		\$
			alpine white	black	
PIATTO incl. easy-clean finish, polystyrene carrier, outlet fitting and color-matched outlet cover	800-2 4800 0450 3xxx	Ø 59.06 x 2.36 Ø 150 x 6	7,589.00		10,625.00
Accessories	Model Order No.				\$
Shower curtain bordeaux red Length 194 cm	8010¹ 6897 0001 0000				on request
Shower curtain anthracite Length 194 cm	8011¹ 6897 0002 0000				on request
Shower curtain chamois beige Length 194 cm	8012¹ 6897 0003 0000				on request
Curtain ring (chrome) incl. hooks and ceiling mounting kit	8020¹ 6897 0004 0000	Ø 51.18 Ø 130			on request

Tile flange kit available, please see page 130.

¹ Available from end of May 2009

SUPERPLAN

- exclusive, elegant design
- with a depth of 0.98 inch extremely flat and ideally suitable for installing flush with the floor
- made of Kaldewei steel enamel 3.5 mm



Illustration shows Model 390

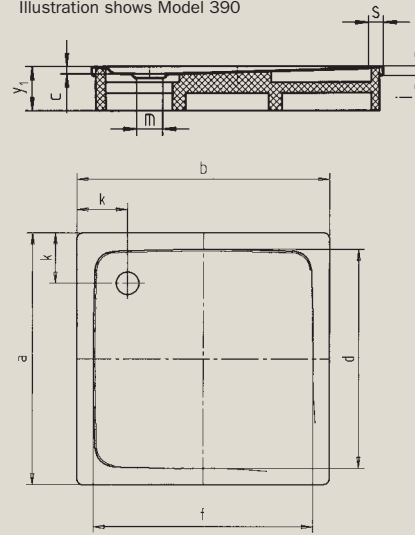
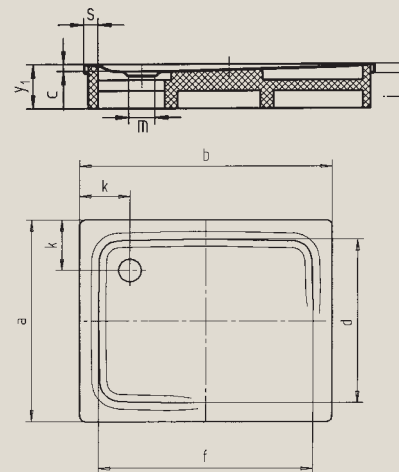


Illustration shows Model 398



		inch	mm	inch	mm	inch	mm	inch	mm	inch	mm	inch	mm	inch	mm	inch	mm		
Model No.		385	385	386	386	400	400	387	387	388	388	390	390	402	402	398	398	404	404
External length	a	29.53	750	31.50	800	27.56	700	29.53	750	31.50	800	35.43	900	29.53	750	31.50	800	35.43	900
External width	b	31.50	800	31.50	800	35.43	900	35.43	900	35.43	900	35.43	900	39.37	1000	39.37	1000	39.37	1000
Depth	c	0.98	25	0.98	25	0.98	25	0.98	25	0.98	25	0.98	25	0.98	25	0.98	25	0.98	25
Internal length	d	25.59	650	27.17	690	23.62	600	25.59	650	27.56	700	31.10	790	25.20	640	27.56	700	31.10	790
Internal width	f	27.56	700	27.17	690	31.50	800	27.56	700	31.50	800	31.10	790	35.04	890	35.43	900	35.04	890
Height of rim	i	1.26	32	1.26	32	1.26	32	1.26	32	1.26	32	1.26	32	1.26	32	1.26	32	1.26	32
Distance tray edge to centre of drain hole	k	7.87	200	7.87	200	7.87	200	7.87	200	7.87	200	7.87	200	7.87	200	7.87	200	7.87	200
Diameter of drain hole	m	3.54	90	3.54	90	3.54	90	3.54	90	3.54	90	3.54	90	3.54	90	3.54	90	3.54	90
Width of rim	s	1.97	50	2.17	55	1.97	50	1.97	50	1.97	50	2.17	55	2.17	55	1.97	50	2.17	55
Height with support	y ₁	4.72		4.72		4.72		4.72		4.72		4.72		4.72		4.72		4.72	
Weight of the enamelled shower tray in lbs		37.48		39.68		39.68		39.68		41.89		48.50		44.09		46.30		52.91	

	Outlet hole	Model Order No.	Dimensions inch (cm)	Colour price groups			\$	
				alpine white	pergamon	black		
SUPERPLAN Shower with wheelchair access plus shower tray foot frame FR Mod. 5300	Ø 3.54 inch Ø 9 cm	385-1 4476 1401 xxxx	29.53 x 31.50 x 0.98 75 x 80 x 2,5	1,220.00	1,525.00	1,708.00		
		386-1 4475 1401 xxxx	31.50 x 31.50 x 0.98 80 x 80 x 2,5	1,158.00	1,448.00	1,621.00		
		400-1 4300 1401 xxxx	27.56 x 35.43 x 0.98 70 x 90 x 2,5	1,196.00	1,495.00	1,674.00		
		387-1 4477 1401 xxxx	29.53 x 35.43 x 0.98 75 x 90 x 2,5	1,196.00	1,495.00	1,674.00		
		388-1 4478 1401 xxxx	31.50 x 35.43 x 0.98 80 x 90 x 2,5	1,223.00	1,528.00	1,711.00		
		390-1 4469 1401 xxxx	35.43 x 35.43 x 0.98 90 x 90 x 2,5	1,158.00	1,448.00	1,621.00		
		402-1 4302 1401 xxxx	29.53 x 39.37 x 0.98 75 x 100 x 2,5	1,385.00	1,731.00	1,938.00		
		398-1 4472 1401 xxxx	31.50 x 39.37 x 0.98 80 x 100 x 2,5	1,358.00	1,698.00	1,901.00		
		404-1 4304 1401 xxxx	35.43 x 39.37 x 0.98 90 x 100 x 2,5	1,358.00	1,698.00	1,901.00		
		Extra charge for easy-clean finish		xxxx xxxx 3xxx		156.00		
		More information on easy-clean finish can be found on page 122.						
		Shower tray foot frame FR		Model Order No.		\$		
		see page 123		5300 5300 0001 0000	Size adjustment up to max. 35.43 x 35.43 inch	●259.00/each		
5300 5300 0002 0000	Size adjustment up to max. 47.24 x 47.24 inch			●283.00/each				
ESR Installation system frame		Model Order No.	Dimensions inch (cm)	\$				
with special siphon and drain off connection		75/80 5845 7129 0000	29.33 x 31.50 75 x 80	●830.00				
		80/80 5845 7128 0000	31.50 x 31.50 80 x 80	●830.00				
		70/90 5845 7213 0000	27.56 x 35.43 70 x 90	●830.00				
		75/90 5845 7126 0000	29.53 x 35.43 75 x 90	●830.00				
		80/90 5845 7125 0000	31.50 x 35.43 80 x 90	●830.00				
		90/90 5845 7124 0000	35.43 x 35.43 90 x 90	●830.00				
		75/100 5845 7212 0000	29.53 x 39.37 75 x 100	●830.00				
		80/100 5845 7123 0000	31.50 x 39.37 80 x 100	●830.00				
		90/100 5845 7211 0000	35.43 x 39.37 90 x 100	●830.00				

Tile flange kit available, please see page 130.

SUPERPLAN

- exclusive, elegant design
- with a depth of 0.98 inch extremely flat and ideally suitable for installing flush with the floor
- made of Kaldewei steel enamel 3.5 mm



Illustration shows Model 405

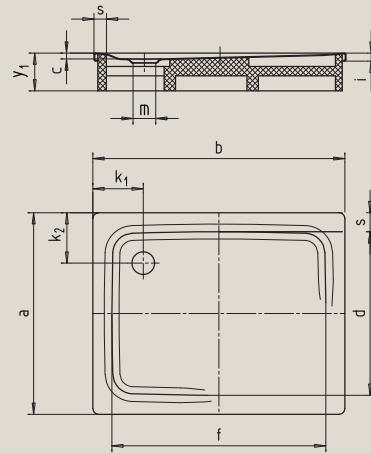
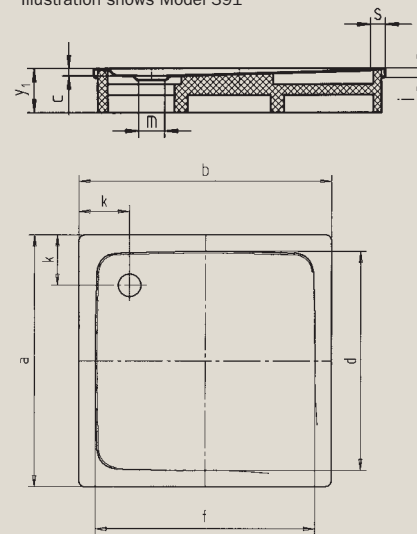


Illustration shows Model 391



only Mod. 399

Model No.		inch		mm		inch		mm		inch		mm		inch		mm	
		391	391	405	405	401	401	403	403	389	389	406	406	407	407	399	399
External length	a	39.37	1000	35.43	900	27.56	700	29.53	750	31.50	800	35.43	900	39.37	1000	47.24	1200
External width	b	39.37	1000	43.31	1100	47.24	1200	47.24	1200	47.24	1200	47.24	1200	47.24	1200	47.24	1200
Depth	c	0.98	25	0.98	25	0.98	25	0.98	25	0.98	25	0.98	25	0.98	25	0.98	25
Internal length	d	34.25	870	31.10	790	23.23	590	25.20	640	27.56	700	31.10	790	35.04	890	42.13	1070
Internal width	f	34.25	870	38.98	990	42.91	1090	42.91	1090	43.31	1100	42.91	1090	42.91	1090	42.13	1070
Height of rim	i	1.26	32	1.26	32	1.26	32	1.26	32	1.26	32	1.26	32	1.26	32	1.26	32
Distance tray edge to centre of drain hole	k ₁ ; k ₂	7.87	200	7.87	200	7.87	200	7.87; 8.86	200; 225	7.87	200	7.87	200	7.87	200	7.87	200
Diameter of drain hole	m	3.54	90	3.54	90	3.54	90	3.54	90	3.54	90	3.54	90	3.54	90	3.54	90
Width of rim	s	2.56	65	2.17	55	2.17	55	2.17	55	1.97	50	2.17	55	2.17	55	2.56	65
Height with support	y ₁	4.72	120	4.72	120	4.72	120	4.72	120	4.72	120	4.72	120	4.72	120	4.72	120
Weight of the enamelled shower tray in lbs		59.52		57.32		50.71		52.91		55.12		63.93		68.34		81.57	

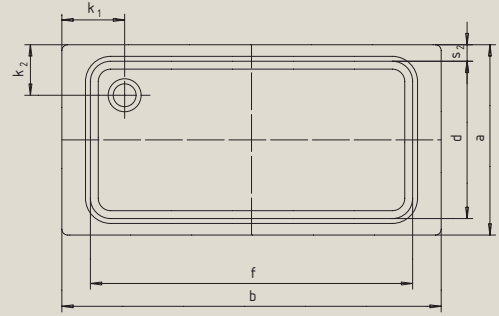
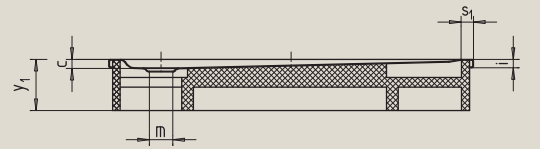
Subject to technical alterations and tolerances.

	Outlet hole	Model Order No.	Dimensions inch (cm)	Colour price groups			\$	
				alpine white	pergamon	black		
SUPERPLAN Shower with wheelchair access plus shower tray foot frame FR Mod. 5300	Ø 3.54 inch Ø 9 cm	391-1 4470 1400 xxxx	39.37 x 39.37 x 0.98 100 x 100 x 2,5	1,354.00	1,692.00	1,895.00		
		405-1 4305 1400 xxxx	35.43 x 43.31 x 0.98 90 x 110 x 2,5	1,498.00	1,873.00	2,097.00		
		401-1 4301 1400 xxxx	27.56 x 47.24 x 0.98 70 x 120 x 2,5	1,529.00	1,911.00	2,141.00		
		403-1 4303 1400 xxxx	29.53 x 47.24 x 0.98 75 x 120 x 2,5	1,529.00	1,911.00	2,141.00		
		389-1 4473 1400 xxxx	31.50 x 47.24 x 0.98 80 x 120 x 2,5	1,498.00	1,873.00	2,097.00		
		406-1 4306 1400 xxxx	35.43 x 47.24 x 0.98 90 x 120 x 2,5	1,498.00	1,873.00	2,097.00		
		407-1 4307 1400 xxxx	39.37 x 47.24 x 0.98 100 x 120 x 2,5	1,498.00	1,873.00	2,097.00		
		399-1 4471 1400 xxxx	47.24 x 47.24 x 0.98 120 x 120 x 2,5	1,465.00	1,831.00	2,050.00		
		Extra charge for easy-clean finish		xxxx xxxx 3xxx		156.00		
		More information on easy-clean finish can be found on page 122.						
Shower tray foot frame FR		Model Order No.					\$	
see page 123		5300 5300 0002 0000	Size adjustment up to max. 47.24 x 47.24 inch	● 283.00/each				
ESR Installation system frame		Model Order No.	Dimensions inch (cm)				\$	
with special siphon and drain off connection		100/100 5845 7122 0000	39.37 x 39.37 100 x 100	● 830.00				
		90/110 5845 7210 0000	35.43 x 43.31 90 x 110	● 830.00				
		70/120 5845 7209 0000	27.56 x 47.24 70 x 120	● 901.00				
		75/120 5845 7208 0000	29.53 x 47.24 75 x 120	● 901.00				
		80/120 5845 7121 0000	31.50 x 47.24 80 x 120	● 901.00				
		90/120 5845 7207 0000	35.43 x 47.24 90 x 120	● 901.00				
		100/120 5845 7206 0000	39.37 x 47.24 100 x 120	● 901.00				
		120/120 5845 7120 0000	47.24 x 47.24 120 x 120	● 901.00				

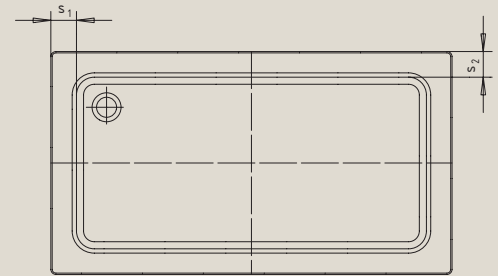
Tile flange kit available, please see page 130.

SUPERPLAN XXL

- exclusive, elegant design
- generous dimensions ideal for showering with a friend
- shallow depth ideal for flush fitting and guarantees easy access
- made of Kaldewei steel enamel 3.5 mm



Mod. 433, 435, 438



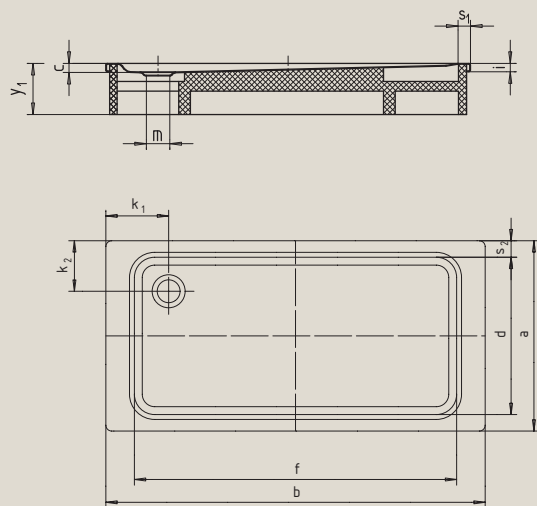
Model No.		inch		mm		inch		mm		inch		mm		inch		mm	
		438	438	408	408	410	410	429	429	412	412	433	433	435	435		
External length	a	35.43	900	27.56	700	29.53	750	35.43	900	39.37	1000	27.56	700	29.53	750		
External width	b	51.18	1300	55.12	1400	55.12	1400	55.12	1400	55.12	1400	59.06	1500	59.06	1500		
Depth	c	0.98	25	1.54	39	1.57	40	1.69	43	1.69	43	1.54	39	1.57	40		
Internal length	d	31.10	790	23.23	590	25.20	640	31.10	790	35.04	890	23.23	590	25.59	650		
Internal width	f	46.85	1190	50.79	1290	51.18	1300	50.79	1290	50.79	1290	50.79	1290	50.79	1290		
Height of rim	i	1.26	32	1.26	32	1.26	32	1.26	32	1.26	32	1.26	32	1.26	32		
Distance tray edge to centre of drain hole	k ₁ ; k ₂	9.84; 7.87	250; 200	7.87	200	7.87	200	7.87	200	7.87	200	9.84; 7.87	250; 200	9.84; 7.87	250; 200		
Diameter of drain hole	m	3.54	90	3.54	90	3.54	90	3.54	90	3.54	90	3.54	90	3.54	90		
Width of rim	s ₁ ; s ₂	4.13; 2.17	105; 55	2.17	55	1.97	50	2.17	55	2.17	55	4.13; 2.17	105; 55	4.13; 1.97	105; 50		
Height with support	y ₁	4.72	120	5.31	135	5.31	135	5.31	135	5.31	135	5.31	135	5.31	135		
Weight of the enamelled shower tray in lbs		68.34		57.32		61.73		72.75		79.37		59.52		66.14			

	Outlet hole	Model Order No.	Dimensions inch (cm)	Colour price groups			\$		
				alpine white	pergamon	black			
SUPERPLAN XXL Shower with wheelchair access	Ø 3.54 inch Ø 9 cm	438-1 4338 1400 xxxx	35.43 x 51.18 x 0.98 90 x 130 x 2,5	1,751.00	2,189.00	2,452.00			
		408-1 4308 1400 xxxx	27.56 x 55.12 x 1.54 70 x 140 x 3,9	1,751.00	2,189.00	2,452.00			
		410-1 4310 1400 xxxx	29.53 x 55.12 x 1.57 75 x 140 x 4,0	1,751.00	2,189.00	2,452.00			
		429-1 4329 1400 xxxx	35.43 x 55.12 x 1.69 90 x 140 x 4,3	1,751.00	2,189.00	2,452.00			
		412-1 4312 1400 xxxx	39.37 x 55.12 x 1.69 100 x 140 x 4,3	1,767.00	2,209.00	2,474.00			
		433-1 4333 1400 xxxx	27.56 x 59.06 x 1.54 70 x 150 x 3,9	1,751.00	2,189.00	2,452.00			
		435-1 4335 1400 xxxx	29.53 x 59.06 x 1.57 75 x 150 x 3,9	1,751.00	2,189.00	2,452.00			
		Extra charge for easy-clean finish		xxxx xxxx 3xxx				156.00	
		More information on easy-clean finish can be found on page 122.							
		Shower tray foot frame FR		Model Order No.					\$
see page 123		5300 5300 0003 0000	Frame 150/170 suitable for shower trays from 51.18 – 70.87 inch				● 428.00/each		
ESR Installation system frame		Model Order No.	Dimensions inch (cm)				\$		
with special siphon and drain off connection		5845 7226 0000	35.43 x 51.18 90 x 130				● 1,048.00		
		5845 7205 0000	27.56 x 55.12 70 x 140				● 1,048.00		
		5845 7204 0000	29.53 x 55.12 75 x 140				● 1,048.00		
		5845 7216 0000	35.43 x 55.12 90 x 140				● 1,048.00		
		5845 7203 0000	39.37 x 55.12 100 x 140				● 1,048.00		
		5845 7221 0000	27.56 x 59.06 70 x 150				● 1,377.00		
		5845 7223 0000	29.53 x 59.06 75 x 150				● 1,377.00		

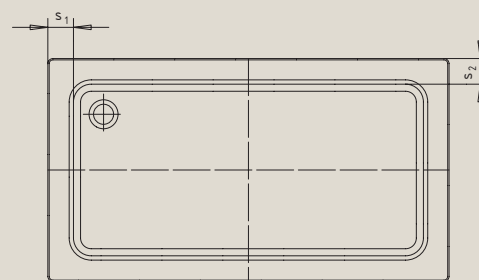
Tile flange kit available, please see page 130.

SUPERPLAN XXL

- exclusive, elegant design
- generous dimensions ideal for showering with a friend
- shallow depth ideal for flush fitting and guarantees easy access
- made of Kaldewei steel enamel 3.5 mm



Mod. 439, 442, 431, 436, 440, 443



only Mod. 413

		inch	mm	inch	mm	inch	mm	inch	mm	inch	mm	inch	mm	inch	mm
Model No.		439	439	442	442	413	413	431	431	436	436	440	440	443	443
External length	a	35.43	900	39.37	1000	59.06	1500	27.56	700	29.53	750	35.43	900	39.37	1000
External width	b	59.06	1500	59.06	1500	59.06	1500	62.99	1600	62.99	1600	62.99	1600	62.99	1600
Depth	c	1.69	43	1.69	43	2.05	52	1.54	39	1.57	40	1.69	43	1.69	43
Internal length	d	31.10	790	35.04	890	54.72	1390	23.23	590	25.59	650	31.10	790	35.04	890
Internal width	f	50.79	1290	50.79	1290	54.72	1390	50.79	1290	50.39	1280	50.39	1280	50.39	1280
Height of rim	i	1.26	32	1.26	32	1.26	32	1.26	32	1.26	32	1.26	32	1.26	32
Distance tray edge to centre of drain hole	k ₁ ; k ₂	9.84; 7.87	250; 200	9.84; 7.87	250; 200	7.87	200	11.81; 7.87	300; 200	11.81; 7.87	300; 200	11.81; 7.87	300; 200	11.81; 7.87	300; 200
Diameter of drain hole	m	3.54	90	3.54	90	3.54	90	3.54	90	3.54	90	3.54	90	3.54	90
Width of rim	s ₁ ; s ₂	4.13; 2.17	105; 55	4.13; 2.17	105; 55	2.17	55	6.10; 2.17	155; 55	6.65; 1.97	160; 50	6.65; 2.17	160; 55	6.65; 2.17	160; 55
Height with support	y ₁	5.31	135	5.31	135	5.71	145	5.31	135	5.31	135	5.31	135	5.31	135
Weight of the enamelled shower tray in lbs		77.16		83.78		121.25		63.93		68.34		81.57		90.39	

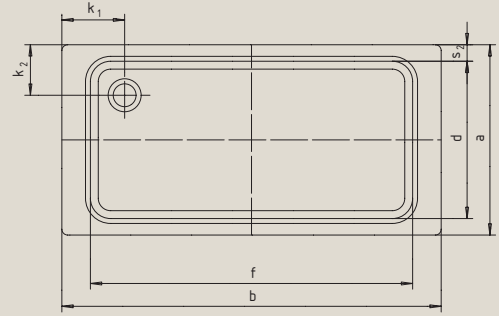
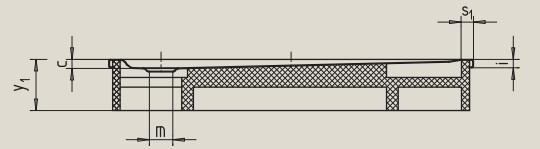
Subject to technical alterations and tolerances.

	Outlet hole	Model Order No.	Dimensions inch (cm)	Colour price groups			\$	
				alpine white	pergamon	black		
SUPERPLAN XXL Shower with wheelchair access	Ø 3.54 inch Ø 9 cm	439-1 4339 1400 xxxx	35.43 x 59.06 x 1.69 90 x 150 x 4,3	1,767.00	2,209.00	2,474.00		
		442-1 4342 1400 xxxx	39.37 x 59.06 x 1.69 100 x 150 x 4,3	1,856.00	2,320.00	2,598.00		
		413-1 4313 1400 xxxx	59.06 x 59.06 x 2.05 150 x 150 x 5,2	1,891.00	2,364.00	2,648.00		
		431-1 4331 1400 xxxx	27.56 x 62.99 x 1.54 70 x 160 x 3,9	1,751.00	2,189.00	2,452.00		
		436-1 4336 1400 xxxx	29.53 x 62.99 x 1.57 75 x 160 x 4,0	1,751.00	2,189.00	2,452.00		
		440-1 4340 1400 xxxx	35.43 x 62.99 x 1.69 90 x 160 x 4,3	1,767.00	2,209.00	2,474.00		
		443-1 4343 1400 xxxx	39.37 x 62.99 x 1.69 100 x 160 x 4,3	1,856.00	2,320.00	2,598.00		
		Extra charge for easy-clean finish		xxxx xxxx 3xxx				156.00
		More information on easy-clean finish can be found on page 122.						
		Shower tray foot frame FR		Model Order No.				\$
see page 123		5300 5300 0003 0000	Frame 150/170 suitable for shower trays from 51.18 – 70.87 inch			● 428.00/each		
ESR Installation system frame		Model Order No.	Dimensions inch (cm)			\$		
with special siphon and drain off connection		5845 7227 0000	35.43 x 59.06 90 x 150			● 1,377.00		
		5845 7230 0000	39.37 x 59.06 100 x 150			● 1,377.00		
		5845 7200 0000	59.06 x 59.06 150 x 150			● 1,377.00		
		5845 7222 0000	27.56 x 62.99 70 x 160			● 1,377.00		
		5845 7224 0000	29.53 x 62.99 75 x 160			● 1,377.00		
		5845 7228 0000	35.43 x 62.99 90 x 160			● 1,377.00		
		5845 7231 0000	39.37 x 62.99 100 x 160			● 1,377.00		

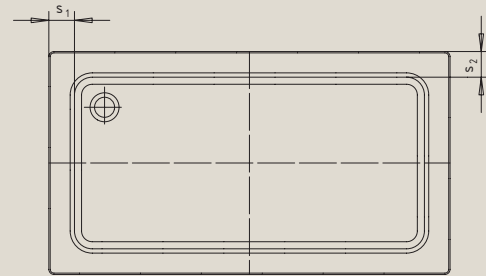
Tile flange kit available, please see page 130.

SUPERPLAN XXL

- exclusive, elegant design
- generous dimensions ideal for showering with a friend
- shallow depth ideal for flush fitting and guarantees easy access
- made of Kaldewei steel enamel 3.5 mm



Mod. 437, 441



		inch	mm	inch	mm	inch	mm	inch	mm	inch	mm	inch	mm	inch	mm
Model No.		409	409	411	411	430	430	444	444	437	437	441	441	445	445
External length	a	27.56	700	29.53	750	35.43	900	39.37	1000	31.50	800	35.43	900	39.37	1000
External width	b	66.93	1700	66.93	1700	66.93	1700	66.93	1700	70.87	1800	70.87	1800	70.87	1800
Depth	c	1.85	47	1.85	47	2.01	51	2.01	51	1.85	47	2.01	51	2.01	51
Internal length	d	23.23	590	25.20	640	31.10	790	31.10	790	25.20	640	31.10	790	31.10	790
Internal width	f	62.60	1590	62.60	1590	62.60	1590	62.60	1590	62.20	1580	62.20	1580	62.20	1580
Height of rim	i	1.26	32	1.26	32	1.26	32	1.26	32	1.26	32	1.26	32	1.26	32
Distance tray edge to centre of drain hole	k ₁ ; k ₂	7.87	200	7.87	200	7.87	200	7.87; 9.84	200; 250	8.86; 9.84	225; 250	9.84; 7.87	250; 200	9.84; 9.84	250; 250
Diameter of drain hole	m	3.54	90	3.54	90	3.54	90	3.54	90	3.54	90	3.54	90	3.54	90
Width of rim	s ₁ ; s ₂	2.17	55	2.17	55	2.17	55	2.17; 4.13	55; 105	4.33; 3.15	110; 80	4.33; 2.17	110; 55	4.33; 4.13	110; 105
Height with support	y ₁	5.71	145	5.71	145	5.71	145	5.71	145	5.71	145	5.71	145	5.71	145
Weight of the enamelled shower tray in lbs		70.55		72.75		88.18		97.00		81.57		92.59		103.62	

Subject to technical alterations and tolerances.

	Outlet hole	Model Order No.	Dimensions inch (cm)	Colour price groups			\$	
				alpine white	pergamon	black		
SUPERPLAN XXL Shower with wheelchair access	Ø 3.54 inch Ø 9 cm	409-1 4309 0001 xxxx	27.56 x 66.93 x 1.85 70 x 170 x 4,7	1,856.00	2,320.00	2,598.00		
		411-1 4311 0001 xxxx	29.53 x 66.93 x 1.85 75 x 170 x 4,7	1,856.00	2,320.00	2,598.00		
		430-1 4330 0001 xxxx	35.43 x 66.93 x 2.01 90 x 170 x 5,1	1,856.00	2,320.00	2,598.00		
		444-1 4344 0001 xxxx	39.37 x 66.93 x 2.01 100 x 170 x 5,1	1,891.00	2,364.00	2,648.00		
		437-1 4337 0001 xxxx	31.50 x 70.87 x 1.85 80 x 180 x 4,7	1,856.00	2,320.00	2,598.00		
		441-1 4341 0001 xxxx	35.43 x 70.87 x 2.01 90 x 180 x 5,1	1,856.00	2,320.00	2,598.00		
		445-1 4345 0001 xxxx	39.37 x 70.87 x 2.01 100 x 180 x 5,1	1,891.00	2,364.00	2,648.00		
		Extra charge for easy-clean finish		xxxx xxxx 3xxx				156.00
		More information on easy-clean finish can be found on page 122.						
		Shower tray foot frame FR		Model Order No.				\$
see page 123		5300 5300 0003 0000	Frame 150/170 suitable for shower trays from 51.18 – 70.87 inch			●428.00/each		
ESR Installation system frame		Model Order No.	Dimensions inch (cm)			\$		
with special siphon and drain off connection		5845 7202 0000	27.56 x 66.93 70 x 170			●1,377.00		
		5845 7201 0000	29.53 x 66.93 75 x 170			●1,377.00		
		5845 7217 0000	35.43 x 66.93 90 x 170			●1,377.00		
		5845 7232 0000	39.37 x 66.93 100 x 170			●1,377.00		
		5845 7225 0000	31.50 x 70.87 80 x 180			●1,377.00		
		5845 7229 0000	35.43 x 70.87 90 x 180			●1,377.00		
		5845 7233 0000	39.37 x 70.87 100 x 180			●1,377.00		

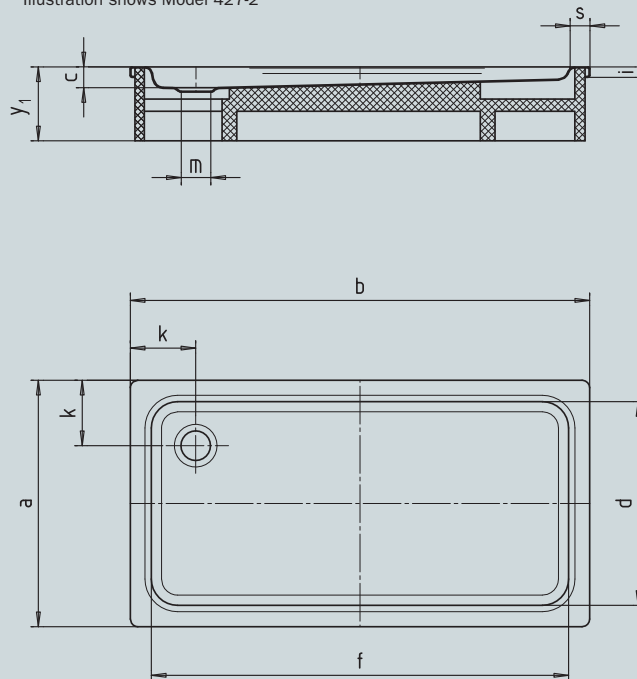
Tile flange kit available, please see page 130.

DUSCHPLAN XXL

- generous dimensions ideal for showering with a friend
- a classic among shower trays
- modern, clear design only 2.56 inch deep
- made of Kaldewei steel enamel 3.5 mm



Illustration shows Model 427-2



Model No.		inch		mm		inch		mm		inch		mm	
		423	423	425	425	427	427	428	428	424	424	426	426
External length	a	27.56	700	29.53	750	39.37	1000	59.06	1500	27.56	700	29.53	750
External width	b	55.12	1400	55.12	1400	55.12	1400	59.06	1500	66.93	1700	66.93	1700
Depth	c	2.56	65	2.56	65	2.56	65	2.56	65	2.56	65	2.56	65
Internal length	d	22.44	570	24.41	620	34.25	870	53.94	1370	22.44	570	26.38	670
Internal width	f	50.00	1270	50.00	1270	50.00	1270	53.94	1370	61.81	1570	61.81	1570
Height of rim	i	1.26	32	1.26	32	1.26	32	1.26	32	1.26	32	1.26	32
Distance tray edge to centre of drain hole	k	7.87	200	7.87	200	7.87	200	7.87	200	7.87	200	7.87	200
Diameter of drain hole	m	3.54	90	3.54	90	3.54	90	3.54	90	3.54	90	3.54	90
Width of rim	s	2.56	65	2.56	65	2.56	65	2.56	65	2.56	65	2.56	65
Height with support	y ₁	6.30	160	6.30	160	6.30	160	6.30	160	6.30	160	6.30	160
Weight of the enamelled shower tray in lbs		59.52		63.93		83.78		127.87		72.75		77.16	

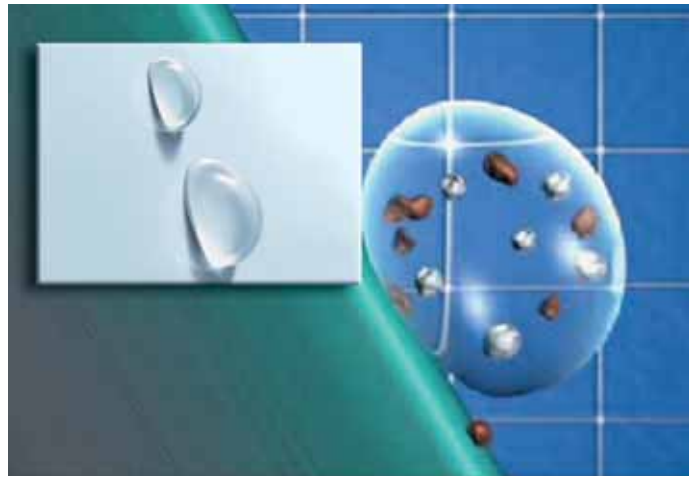
Subject to technical alterations and tolerances.

	Outlet hole	Model Order No.	Dimensions inch (cm)	Colour price groups			\$	
				alpine white	pergamon	black		
DUSCHPLAN XXL plus shower tray foot frame FR Mod. 5300	Ø 3.54 inch Ø 9 cm	423-1 4323 0001 xxxx	27.56 x 55.12 x 2.56 70 x 140 x 6,5	1,751.00	2,189.00	2,452.00		
		425-1 4325 0001 xxxx	29.53 x 55.12 x 2.56 75 x 140 x 6,5	1,751.00	2,189.00	2,452.00		
		427-1 4327 0001 xxxx	39.37 x 55.12 x 2.56 100 x 140 x 6,5	1,727.00	2,159.00	2,418.00		
		428-1 4328 0001 xxxx	59.06 x 59.06 x 2.56 150 x 150 x 6,5	1,891.00	2,364.00	2,648.00		
		424-1 4324 0001 xxxx	27.56 x 66.93 x 2.56 70 x 170 x 6,5	1,856.00	2,320.00	2,598.00		
		426-1 4326 0001 xxxx	29.53 x 66.93 x 2.56 75 x 170 x 6,5	1,856.00	2,320.00	2,598.00		
		Extra charge for easy-clean finish						156.00
		More information on easy-clean finish can be found on page 122.						
Shower tray foot frame FR		Model Order No.					\$	
see page 123		5300 5300 0003 0000	Frame 150/170 suitable for shower trays from 51.18 – 70.87 inch				● 428.00/each	

Tile flange kit available, please see page 130.

EASY-CLEAN FINISH

All baths and shower trays are available with the easy-clean finish. The easy-clean finish is a surface finish that is permanently burnt onto the Kaldewei steel enamel 3.5 mm. Water droplets form beads and simply roll down the sides, taking virtually all dirt particles and limescale with them. Even dried-on water marks and limescale deposits can be quickly wiped away.

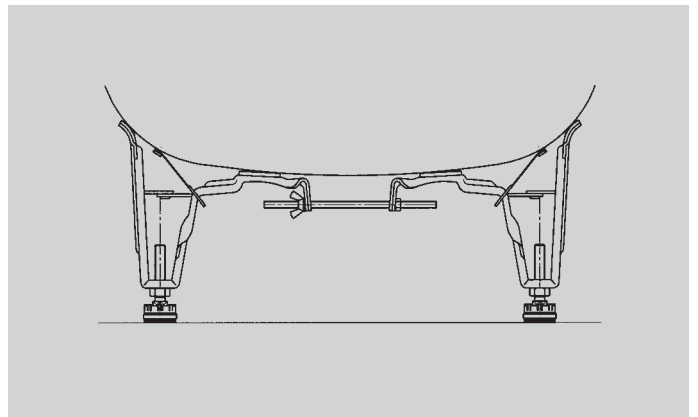


Surcharge easy-clean finish	Model Order No.	\$
for baths	xxxx xxxx 3xxx	161.50
for shower trays	xxxx xxxx 3xxx	156.00

BATH PEDESTAL

ALLROUND bath pedestal 5030

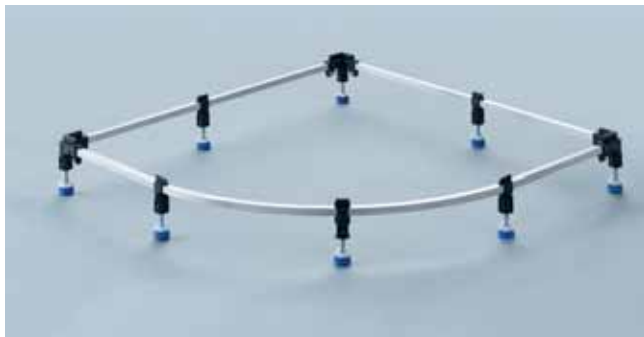
- 2 pairs of height-adjustable screw-type feet
- Simple mounting on bath cams
- Feet are sound-proofed. Optimum sound proofing in accordance with DIN 4109/A1 in conjunction with the Kaldewei BWS sound insulating set



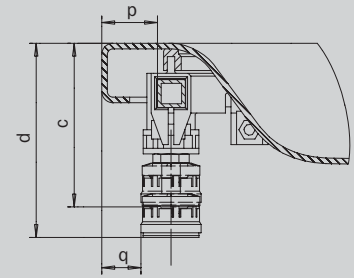
Pedestals (required accessory)	Model Order No.	\$
ALLROUND for baths	5030 5814 7000 0000	Pallet unit 60 sets ● 93.50/set

SHOWER TRAY FOOT FRAME FR

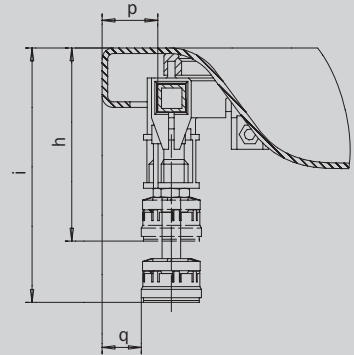
- suitable for flat and ultra flat square shower trays
- size adjustment to max. 3.54 x 3.54 inch or 4.72 x 4.72 inch and 5.91 x 6.69 inch for SUPERPLAN XXL and DUSCHPLAN XXL (Length of square aluminium tube can be adapted for smaller dimensions)
- feet are sound-insulated; optimum sound insulation to DIN 4109/A1 in conjunction with Kaldewei sound insulating set DWS



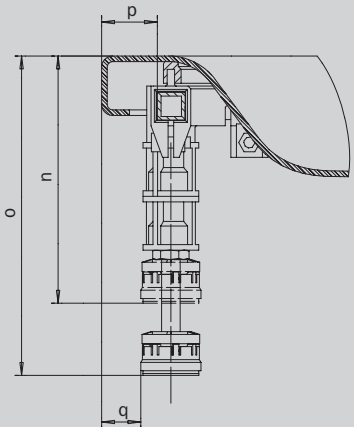
short foot



long foot without extension



long foot with extension



rectangular shower trays quarter-circular shower trays

		90/90	90/90	120/120	120/120	150/170	150/170	100/100	100/100
Installed height min.	c	3.54	90	3.54	90	3.54	90	3.54	90
Installed height max.	d	4.17	106	4.17	106	4.17	106	4.17	106
Installed height min.	h	4.17	106	4.17	106	4.17	106	4.17	106
Installed height max.	i	5.47	139	5.47	139	5.47	139	5.47	139
Installed height min.	n	5.47	139	5.47	139	5.47	139	5.47	139
Installed height max.	o	6.85	174	6.85	174	6.85	174	6.85	174
Separation rim of tray to frame profile	p	1.18	30	1.18	30	1.18	30	1.18	30
Separation rim of tray to foot cap	q	0.79	20	0.79	20	0.79	20	0.79	20

Shower tray foot frame FR (required accessory)	Model Order No.	Dimensions inch (cm)	\$
	5300 5300 1400 0000	35.43 x 35.43 90 x 90	●259.00/each
	5300 5300 0002 0000	47.24 x 47.24 120 x 120	●283.00/each
for SUPERPLAN XXL and DUSCHPLAN XXL	5300 5300 0003 0000	59.06 x 66.93 150 x 170	●428.00/each

Subject to technical alterations.

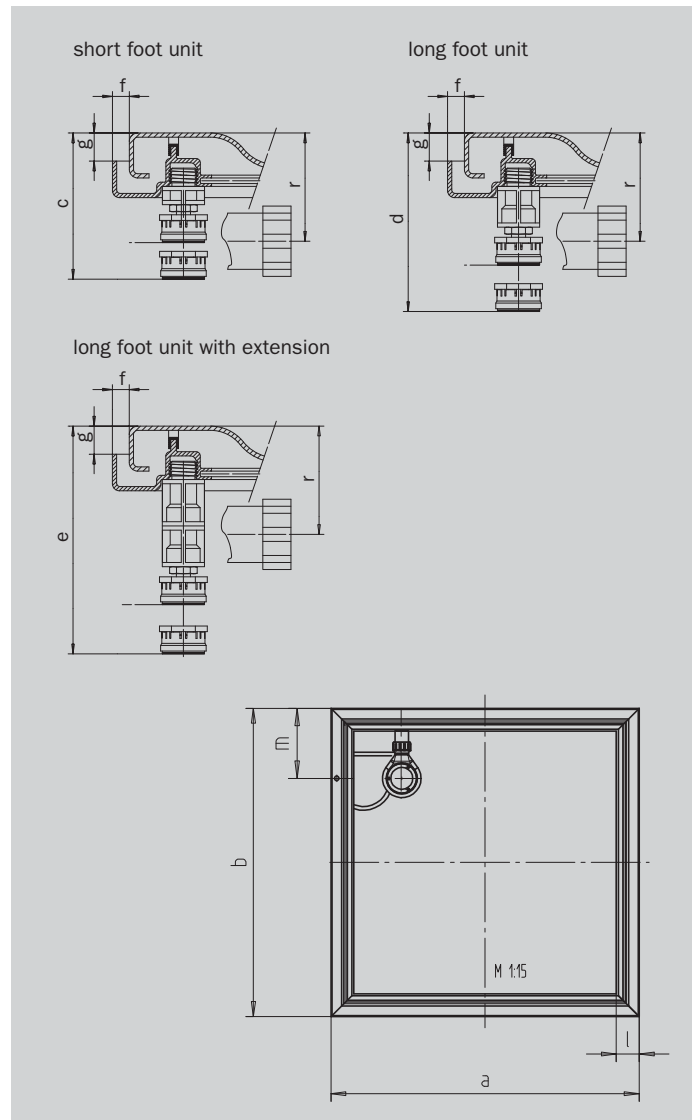
KALDEWEI
Europe's No. 1 for baths

ESR INSTALLATION SYSTEM FRAME WITH SPECIAL SIPHON AND DRAIN OFF CONNECTION

- allows quick and accurate installation of shower trays flush with the floor
- versatile thanks to horizontally and vertically adjustable feet
- optimum sound insulation due to integrated sound insulation band, rubber mounting profile, corner support rubbers and noise-decoupled feet
- with non-return valve in the drain off connection so that in the event of the siphon becoming blocked, no water can go back into the frame of the ESR



Installed height	c	3.15-3.78 inch
Installed height	d	3.78-5.08 inch
Installed height	e	5.08-6.46 inch
Space for wall tile	f	0.39 inch
Space for floor tile	g	0.79 inch
Frame width	l	2.78 inch
Drain connection	m	8.27 inch



Model No.		75/80	80/80	70/90	75/90	80/90	90/90	75/100	80/100	90/100	100/100	90/110	70/120
External length	a	32.28	32.28	36.22	36.22	36.22	36.22	40.16	40.16	40.16	40.16	44.09	48.03 inch
External width	b	30.31	32.28	28.35	30.31	32.28	36.22	30.31	32.28	36.22	40.16	36.22	28.35 inch
Siphon connection height	r	3.03	3.03	3.03	3.03	3.03	3.03	3.03	3.03	3.03	3.03	3.03	3.03 inch
Shower tray height with siphon		4.72	4.72	4.72	4.72	4.72	4.72	4.72	4.72	4.72	4.72	4.72	4.72 inch

Model No.		75/120	80/120	90/120	100/120	120/120	90/130	70/140	75/140	90/140	100/140	70/150	75/150	90/150
External length	a	48.03	48.03	48.03	48.03	48.03	51.97	55.91	55.91	55.91	55.91	59.84	59.84	59.84 inch
External width	b	30.31	32.28	36.22	40.16	48.03	36.22	28.35	30.31	36.22	40.16	28.35	30.31	36.22 inch
Siphon connection height	r	3.03	3.03	3.03	3.03	3.03	3.03	3.58	3.62	3.03	3.74	3.03	3.03	3.03 inch
Shower tray height with siphon		4.72	4.72	4.72	4.72	4.72	4.80	5.28	5.31	5.43	5.43	5.28	5.31	5.43 inch


Model No.		100/150	150/150	70/160	75/160	90/160	100/160	70/170	75/170	90/170	100/170	80/180	90/180	100/180
External length	a	59.84	59.84	63.78	63.78	63.78	63.78	67.72	67.72	67.72	67.72	71.65	71.65	71.65 inch
External width	b	40.16	59.84	28.35	30.31	36.22	40.16	28.35	30.31	36.22	40.16	32.28	36.22	40.16 inch
Siphon connection height	r	4.09	4.09	3.03	3.03	3.03	3.90	3.90	3.90	3.03	3.90	3.03	3.03	3.74 inch
Shower tray height with siphon		5.55	5.71	5.28	5.31	5.43	5.55	5.59	5.59	5.75	5.75	5.59	5.75	5.75 inch

Take account of required plaster floor recess, dimensions a and b plus 0.31 inch

Minimum height shower tray with siphon for DUSCHPLAN (2.56 inch deep) 6.30 inch
Siphon connection height + 1.57 inch for DUSCHPLAN (2.56 inch deep).

If the structural height is less than 5.12 inch, take account of floor recess.
We recommend a non-return valve be fitted in the outlet pipe.

Subject to technical alterations.

ESR Installation system frame with special siphon and drain off connection (cover chrome)	Model Order No.	Dimensions inch (cm)		§
	5845 7129 0000	29.53 x 31.50	75 x 80	●830.00
	5845 7128 0000	31.50 x 31.50	80 x 80	●830.00
	5845 7213 0000	27.56 x 35.43	70 x 90	●830.00
	5845 7126 0000	29.53 x 35.43	75 x 90	●830.00
	5845 7125 0000	31.50 x 35.43	80 x 90	●830.00
	5845 7124 0000	35.43 x 35.43	90 x 90	●830.00
	5845 7212 0000	29.53 x 39.37	75 x 100	●830.00
	5845 7123 0000	31.50 x 39.37	80 x 100	●830.00
	5845 7211 0000	35.43 x 39.37	90 x 100	●830.00
	5845 7122 0000	39.37 x 39.37	100 x 100	●830.00
	5845 7210 0000	35.43 x 43.31	90 x 110	●830.00
	5845 7209 0000	27.56 x 47.24	70 x 120	●901.00
	5845 7208 0000	29.53 x 47.24	75 x 120	●901.00
	5845 7121 0000	31.50 x 47.24	80 x 120	●901.00
	5845 7207 0000	35.43 x 47.24	90 x 120	●901.00
	5845 7206 0000	39.37 x 47.24	100 x 120	●901.00
	5845 7120 0000	47.24 x 47.24	120 x 120	●901.00
	5845 7226 0000	35.43 x 51.18	90 x 130	●1,048.00
	5845 7205 0000	27.56 x 55.12	70 x 140	●1,048.00
	5845 7204 0000	29.53 x 55.12	75 x 140	●1,048.00
	5845 7216 0000	35.43 x 55.12	90 x 140	●1,048.00
	5845 7203 0000	39.37 x 55.12	100 x 140	●1,048.00
	5845 7221 0000	27.56 x 59.06	70 x 150	●1,377.00
	5845 7223 0000	29.53 x 59.06	75 x 150	●1,377.00
	5845 7227 0000	35.43 x 59.06	90 x 150	●1,377.00
	5845 7230 0000	39.37 x 59.06	100 x 150	●1,377.00
	5845 7200 0000	59.06 x 59.06	150 x 150	●1,377.00
	5845 7222 0000	27.56 x 62.99	70 x 160	●1,377.00
	5845 7224 0000	29.53 x 62.99	75 x 160	●1,377.00
	5845 7228 0000	35.43 x 62.99	90 x 160	●1,377.00
	5845 7231 0000	39.37 x 62.99	100 x 160	●1,377.00
	5845 7202 0000	27.56 x 66.93	70 x 170	●1,377.00
	5845 7201 0000	29.53 x 66.93	75 x 170	●1,377.00
	5845 7217 0000	35.43 x 66.93	90 x 170	●1,377.00
	5845 7232 0000	39.37 x 66.93	100 x 170	●1,377.00
5845 7225 0000	31.50 x 70.87	80 x 180	●1,377.00	
5845 7229 0000	35.43 x 70.87	90 x 180	●1,377.00	
5845 7233 0000	39.37 x 70.87	100 x 180	●1,377.00	

DECORATION

- decorative lily in delicate shades of grey
- permanently burned into the Kaldewei steel enamel



Decoration for baths	Colour	Model
AQUAMARIN	alpine white, black	280, 284
CENTRO DUO	alpine white, black	132, 133
CENTRO DUO 1 left/right	alpine white, black	129/130, 136/137
CENTRO DUO 2	alpine white, black	131, 135
CENTRO DUO 6	alpine white, black	134
CENTRO DUO OVAL	alpine white, black	127, 128
KLASSIKDUO	alpine white, black	103, 105, 107, 109, 110, 114
KLASSIKDUO OVAL	alpine white, black	111, 112, 113
CONODUO	alpine white	732, 733, 734, 735
DUO POOL	alpine white, black	150
DYNA	alpine white, black	393
GRANDO DUO left/right	alpine white, black	190, 192
PURO	alpine white, black	652, 653, 656, 657, 683, 684, 687, 688, 691, 692
SANIFORM PLUS	alpine white, black	360-1, 361-1, 362-1, 363-1, 371-1, 372-1, 373-1, 375-1, 366, 367
Decoration for shower trays		
SUPERPLAN, SUPERPLAN XXL	alpine white, black	all models

Decoration		€
for baths		516.00
for shower trays SUPERPLAN, SUPERPLAN XXL		423.00

Subject to technical alterations.

COMFORT-LEVEL COMFORT-LEVEL PLUS

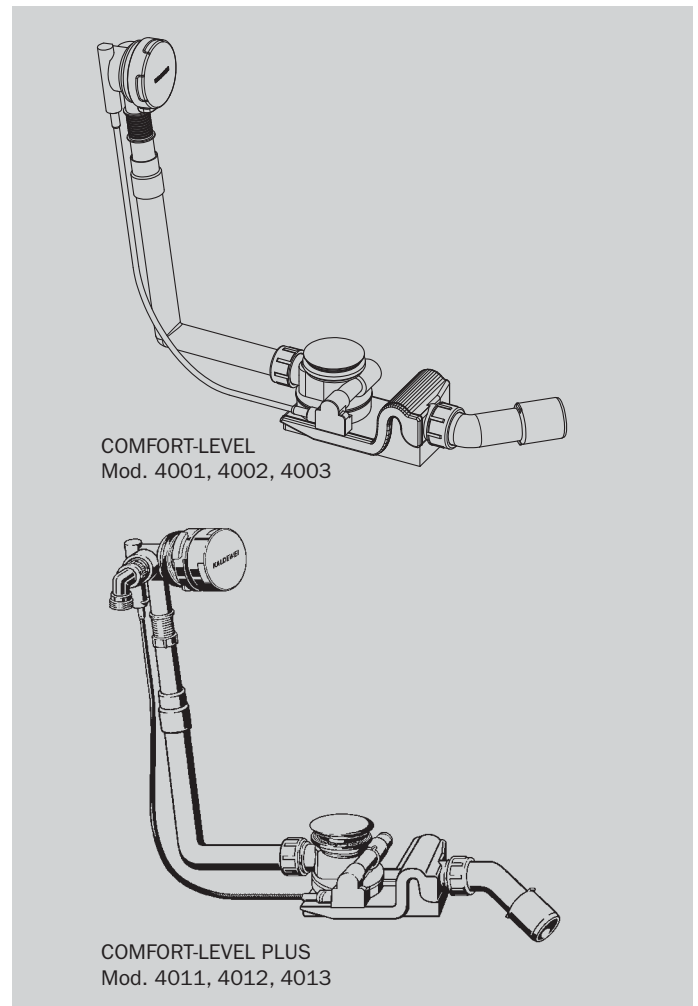
- continuously adjustable
- water level can be increased by up to 1.97 inch for greater bathing comfort
- integrated filling function as optional extra
- available for nearly all Kaldewei baths
- complete with fitting



COMFORT-LEVEL



COMFORT-LEVEL PLUS



COMFORT-LEVEL
Mod. 4001, 4002, 4003

COMFORT-LEVEL PLUS
Mod. 4011, 4012, 4013

COMFORT-LEVEL drain and overflow fitting	Model Order No.	Colour price groups			\$
		alpine white	pergamon	black	
Standard chrome	4001 6877 7050 0000	●298.00	●298.00	●298.00	
extended chrome	4002 6877 7051 0000	●352.00	●352.00	●352.00	
Special chrome	4003 6877 7065 0000	●398.00	●398.00	●398.00	
for CONODUO with enamelled outlet cover (alpine white, pergamon, black) and chrome overflow knob	4004 6877 7067 xxxx	●443.00	●553.00	●620.00	
COMFORT-LEVEL PLUS drain and overflow fitting with integrated filling function	Model Order No.	Colour price groups			\$
		alpine white	pergamon	black	
Standard* chrome	4011 6877 7061 0000	●736.00	●736.00	●736.00	
extended* chrome	4012** 6877 7062 0000	●832.00	●832.00	●832.00	
Special* chrome	4013 6877 7066 0000	●880.00	●880.00	●880.00	
for CONODUO* with enamelled outlet cover (alpine white, pergamon, black) and chrome overflow knob	4014 6877 7068 xxxx	●967.00	●1,209.00	●1,354.00	

*The COMFORT-LEVEL PLUS requires a non return valve; this is not included.

Designs 4001 and 4011 (standard) can be used with the AQUAMARIN, DYNA, DYNA SET, SENTO, SANLUX, SANIFORM families (except design 367)

Designs 4002 and 4012 (extended) can be used with the KLASSIKDUO, DUO POOL, MINI, SANIFORM PLUS (Model 367), ATMO, TWIN POOL and the CENTRO DUO, MEGA DUO, NOVOLA and MONDO families.

Designs 4003 and 4013 (Special) can be used with the ELLIPSO DUO, PLAZA DUO, PUNTA DUO 3.

Not for DYNA DUO.

MULTIFUNCTIONAL CUSHIONS

- can be used as foot, neck or arm rest
- foot rest: keeps you from sliding down in larger baths
- below the thighs: keeps you from sliding down in larger baths
- neck rest: comfortable support for head and neck
- arm rest: gives you a place to rest your arms when placed at the sides of the tub
- size 13.78 x 4.72 x 1.97 inch
- available in two colors
- set of two cushions



MULTIFUNCTIONAL CUSHIONS	Order No.		\$
Set with two cushions, grey	6876 7577 0000	Minimum purchase 1 set (2 pcs.)	●228.50/set
Set with two cushions, white	6876 7576 0000	Minimum purchase 1 set (2 pcs.)	●228.50/set

RELAX LOUNGER

- bath cover can be used as a seat or for reclining
- consists of three individual sections (each 13.23 lbs)
- made of high-quality, hand-sewn upholstery
- with matching, semi-circular pillow (15.75 x 9.06 x 3.54 inch)
- color: beige
- rack for storing relax lounger and pillow (23.62 x 12.20 x 11.42 inch) in high-quality MDF in alpine white
- for the CONODUO baths
 - mod. 733, 70.87 x 31.50 inch (180 x 80 cm) and
 - mod. 734, 74.80 x 35.43 inch (190 x 90 cm)





Relax lounger	Model Order No.	Dimensions inch (cm)	\$
Beige	7100 6897 1001 0000	70.87 x 31.50 180 x 80	●3,308.00
Beige	7110 6897 1002 0000	74.80 x 35.43 190 x 90	●3,463.00
Storage rack	6897 1003 0000		●1,110.00

Available from May 2009

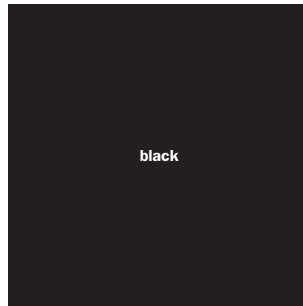
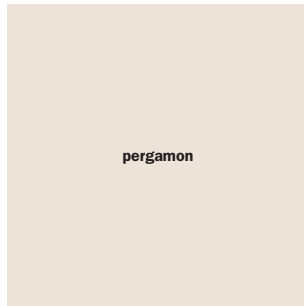
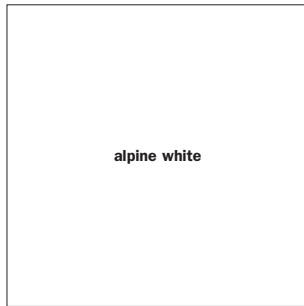
KALDEWEI
Europe's No. 1 for baths

SPECIAL MODELS

BATH AND SHOWER TRAY ACCESSORIES

Bath securing device	Order No.		\$
<p>sound-proofed, Set with 2 pcs.</p> 	6876 7507 0000	Minimum purchase 1 packing unit (10 sets)	● 323.00/p.PU
Tile flange kit	Order No.		\$
	6872 7615 0000		● 88.50
















COLOR OVERVIEW FOR BATHS AND SHOWER TRAYS



Actual product colors may differ slightly from those illustrated due to the printing process.

Color	Color code	Color	Color code
alpine white	0001	pergamon	0231
black	0701		

STRUCTURE OF THE 12-DIGIT ORDER NUMBER EXAMPLES

Example	Model	Equipment / Variant	Color / easy-clean finish
Art. indication	bath/shower tray	with full anti-slip	white
			
Order No.	xxxx	1400	0001
Art. indication	bath/shower tray	with full anti-slip	pergamon
			
Order No.	xxxx	1400	0231
Art. indication	bath/shower tray	with full anti-slip	black
			
Order No.	xxxx	1400	0701
Art. indication	bath/shower tray	with full anti-slip	with easy-clean finish, white
			
Order No.	xxxx	1400	3001
Art. indication	bath	with full anti-slip and moulded panel	with easy-clean finish, black
			
Order No.	xxxx	1402	3701

GENERAL TERMS AND CONDITIONS FOR DELIVERY AND PAYMENT

FRANZ KALDEWEI GMBH & CO. KG

Franz Kaldewei GmbH & Co. KG is the manufacturer and Kaldewei is the brand exclusively distributed in North America by Kaldewei USA, Inc., which acts solely as the distribution and logistics partner for Franz Kaldewei GmbH & Co. KG in North America.

1. Introduction: These general conditions of sale, delivery and payment apply exclusively to direct buying accounts of Kaldewei USA, Inc. Quotations, acceptances, order confirmations and sale of all goods are subject to these conditions. Contradictory conditions or regulations of the customer are not considered, even when advised. These conditions also provide the basis of all future transactions.
2. Orders and Quotations: All quotations and potential delivery dates indicated by Kaldewei USA, Inc. are subject to change. Orders are considered accepted only if confirmed. The customer is solely responsible for the accuracy of the order and the verification of the confirmation. The scope of delivery is based exclusively on the written order confirmation.
3. Prices: Orders, for which no fixed price is agreed, are calculated from the list prices valid on the day of order acceptance. Any state or federal taxes applying to the invoice shall be assumed and paid by the customer.
4. Goods Delivery: Unless otherwise specified, all deliveries are made Ex Works from factory or F.O.B. distribution center at the cost of the customer (including any special costs associated with special routing, expedition, lift gates, etc.).
5. Delivery: Unless Kaldewei USA, Inc. confirms a fixed delivery date in writing; all delivery dates are subject to change.
6. Transfer of risk: The risk of damage or loss is transferred to the customer as soon as the goods are delivered to the designated location. However, in the event of freight damage or lost shipments, the customer must make all claims to Kaldewei USA, Inc. within five [5] working days from receipt of goods.
7. Claims: All claims for shortages must be made to Kaldewei USA, Inc. within five (5) working days from receipt of the goods.
8. Notification of defects: Complaints must be reported before the goods are used or installed. Precise details of the fault or quality issue must be indicated and the packing note must be returned. Unless Kaldewei USA, Inc. receives written notification of any defects within ten (10) working days from receipt of the goods, the quality of the goods is considered accepted.
9. Returns: Under no circumstances will Kaldewei USA, Inc., accept the return of merchandise without express written authorization. Manufactured goods ordered in error or canceled are subject to cancellation and handling fees. For further information please refer to our return merchandise policy.
10. Force Majeure: In the event of Acts of God, wars, insurrections and/or industrial disputes, unrest, official action, non-appearance of consignments, defaults by suppliers or any other unforeseen, unavoidable and serious events exempt Kaldewei USA, Inc. from their contractual obligations for the duration of the fault and in line with its effect. This applies also if these events occur at a point in time in which Kaldewei USA, Inc. is in default. Kaldewei USA, Inc. will take all reasonable steps to provide the necessary information and in all good faith modify their obligations to the new state of affairs.

11. Terms of Payment: As stipulated on the invoice. Unless otherwise stipulated all invoices are due in full within 30-days from the date of invoice. If all or part of the invoice amount is not paid to Kaldewei USA, Inc. on or before the due date, the customer will be considered in arrears by the outstanding amount from the following day onwards. Overdue payments incur a finance charge of 1.5% per month (annual percentage rate of 18%) applied to the previous balance deducting current payments. Unrecognized counterclaims can be neither offset nor used to assert a right of retention.
12. Payment arrears and deterioration in customer's financial circumstances: If the customer is in payment arrears with previously delivered consignments, Kaldewei USA, Inc. may hold delivery of unprocessed orders pending settlement of the due invoices and/or pre-payment of the purchase price or cancel the contract. The same right exists, if after a contract is concluded, a significant deterioration in the customer's financial circumstances is revealed. The agreed payment dates must still be respected, even if warranty claims have been asserted. Should the customer fall into arrears or if judgement or insolvency proceedings are opened against them either judicially or extra-judicially, any granted discounts or shipping refunds will be annulled. The same legal consequences occur on the 31st day after invoices become due.
13. Retention of title: Until all payments arising from the business relation with the customer are received, title to the delivered goods remains with Kaldewei USA, Inc. Any breach of the contractual conditions by the customer, specifically payment arrangements that entitle Kaldewei USA, Inc. to repossess the delivered object, the customer being obliged to make the return arrangements. Repossession of the delivered object does not constitute cancellation of the contract unless explicitly declared in writing. Distraint of the goods always involves cancellation of the contract. In the event of distraint or other third-party intervention, the customer must provide written notification immediately so that a third-party action can be brought. If the third-party is unable to reimburse the judicial and extra-judicial costs of such an action, the customer shall be liable for the shortfall. The customer is entitled to resell the delivered object under the terms of normal business procedure. The customer shall assign all claims up to the value of the final invoice amount, including taxes, arising from the sale, asserted against their customer or against a thirdparty, irrespective of whether the goods were resold before or after processing. The customer is entitled to collect after assignment. The authority of Kaldewei USA, Inc. to collect claimed amounts remains unaffected. However, Kaldewei USA, Inc. undertakes to refrain from collecting claimed amounts providing the customer meets their payment obligations correctly and is not in arrears. In all cases Kaldewei USA, Inc. is entitled to demand that the customer announces the assigned amounts and debtor, provides all details required for collection, submits the relevant documentation and notifies the debtor of the assignment.

Processing or conversion of the goods by the customer is always carried out on behalf of Kaldewei USA, Inc. If the goods are processed with other objects, Kaldewei USA, Inc. shall acquire co-ownership of the new product in line with the ratio of the retained goods to the other processed at the time of processing. The object created through such processing is subject to the same conditions as the retained goods. If the goods are irrevocably processed with

other objects, Kaldewei USA, Inc. shall acquire co-ownership of the new product in line with the ratio of the goods to the other irrevocably processed objects at the time of processing. If such processing involves the customer's goods being regarded as the main object, it is agreed that the customer shall transfer co-ownership to Kaldewei USA, Inc. in line with the ratios. The customer safeguards sole ownership or co-ownership. The customer shall assign the claim for security, which the customer is entitled to assert against a third-party if the goods are used as an integral part of a building.

14. Place of fulfillment, place of jurisdiction and applicable law: The place of fulfillment for all obligations arising from the contract is Kaldewei USA, Inc.'s principal place of business. For all legal disputes relating to bill or check processes, the place of jurisdiction is Kaldewei USA, Inc.'s principal place of business, providing the customer is a trader, a legal entity or separate asset governed by public law. Kaldewei USA, Inc. is also entitled to bring actions before a court of competent jurisdiction, which can be responsible according to national or international law. The contractual relationship is subject to governing laws.
15. Salvatorial Clause: Should individual regulations of these general conditions of Sale, Delivery and Payment be or become ineffective, the effectiveness of the remaining conditions remains unaffected.

General statement of warranty

Franz Kaldewei GmbH & Co. KG provides to Kaldewei USA, Inc. the following warranty on all products manufactured.

For purposes of this Warranty section, Franz Kaldewei GmbH & Co. KG and Kaldewei USA, Inc., are herein referred to as "Kaldewei" Warranty:

Kaldewei guarantees the material and workmanship of the bath product for a period of 30 years. The warranty shall apply exclusively to defects arising from design and manufacturing faults for which Kaldewei is responsible. Kaldewei is not responsible for ensuring that the product is suitable for a designated purpose. If the delivered object is faulty, lacks the assured characteristics or exhibits faults within the warranty period as a result of workmanship or materials, Kaldewei, may repair or replace the goods at their sole discretion. Kaldewei must be granted the opportunity to verify the reported defect. Any defective goods must be returned immediately on request. Replaced parts become the property of Kaldewei. Kaldewei is not liable for unsuitable or improper use, sub-standard production or application by the customer or a third party, normal wear and tear, incorrect or careless handling, and improper maintenance. Should the customer or a third party carry out repair work, Kaldewei shall not be liable for any consequential loss. The same applies for any modifications made to the delivered object without the prior written consent of Kaldewei. The only valid basis of quality of the goods is Kaldewei's product description. Published statements, sales dialogues and advertisements do not constitute contractual details on the quality of the goods. Should the customer receive incorrect installation instructions Kaldewei is obliged to provide correct instructions only if the incorrect detail in the instruction contradicts correct installation.

Labour disclaimer:

Kaldewei is responsible for replacement product only and will not pay for the labor and/or materials associated with the replacement product.

KALDEWEI

Europe's No. 1 for baths

Franz Kaldewei GmbH & Co. KG
Beckumer Str. 33-35
59229 Ahlen
Germany
Tel. +49 2382 785 0
Fax +49 2382 785 200
Internet: www.kaldewei.com

UNITED STATES / CANADA
Kaldewei USA Inc.
9465 Counselors Row
Suite 200
Indianapolis, IN 46240
United States
tel. +1 317 805 4821
fax +1 317 805 4823